

1

2

3

4

5

6

7

8

CHANGE No

REV

DESCRIPTION

DRAWN

DATE

01

ORIGINAL

AM

18-08-2022

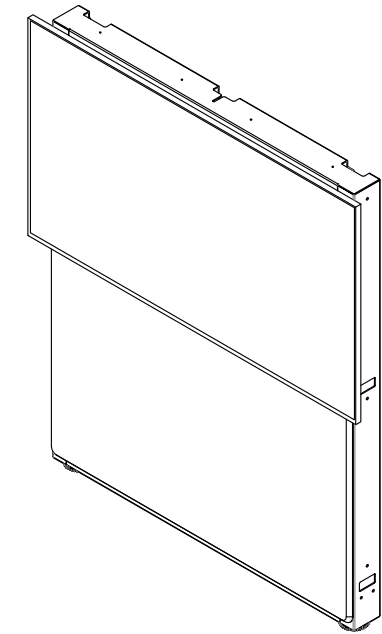
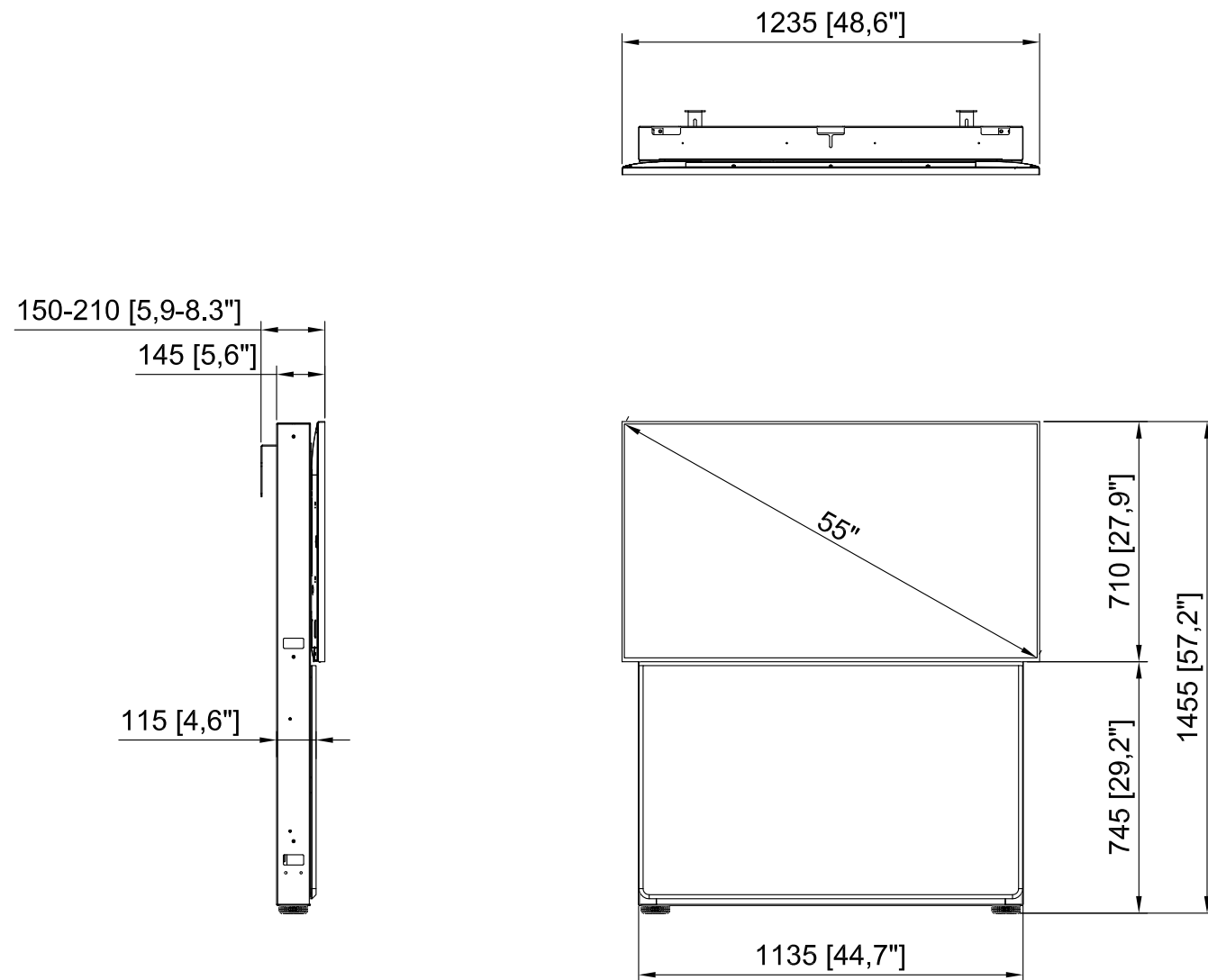
A

B

C

D

E

**ISOMETRIC VIEW**

Model shown with LG55UH5J-H

DO NOT SCALE DRAWING. SCALE NOTE(S) ARE SCALE REFERENCES RELATIVE TO MAIN VIEW ONLY AND MAY NOT REFLECT ACTUAL PART SIZE ON DRAWING.

REMOVE SHARP EDGES UNLESS SPECIFIED.

THIS DOCUMENT CONTAINS CONFIDENTIAL INFORMATION. ALL ASPECTS OF ITS CONTENTS ARE PROTECTED BY COPYRIGHT LAW AND MAY NOT BE REPRODUCED IN ANY MANNER, OR FOR ANY PURPOSE, EXCEPT BY WRITTEN PERMISSION OF ASHTON BENTLEY TRADING LIMITED, THE COPYRIGHT HOLDER.

THE ITEMS DETAILED IN THIS DRAWING ARE PROTECTED UNDER SEVERAL PATENTS.



ASHTON BENTLEY TRADING LIMITED
23 SCHOONER PARK, SCHOONER COURT,
CROSSWAYS BUSINESS PARK, DARTFORD, KENT, DA2 6NW
UNITED KINGDOM

DRAWN BY:

A MESTRE

DATE:

18-08-2022

TITLE:

One55 - Overall Dimensions

APPROVED BY:

R VINTON

DATE:

18-08-2022

DRAWING NUMBER:

740-00206

THIRD ANGLE
PROJECTION:

DRAWING SIZE: A3

DIMENSIONS IN:
MM [INCHES]

SCALE:

1:20

SHEET:

01 OF 1

REV:

01