

1

2

3

4

5

6

7

8

CHANGE No

REV

DESCRIPTION

DRAWN

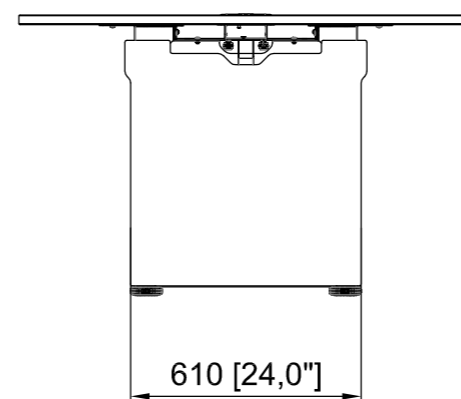
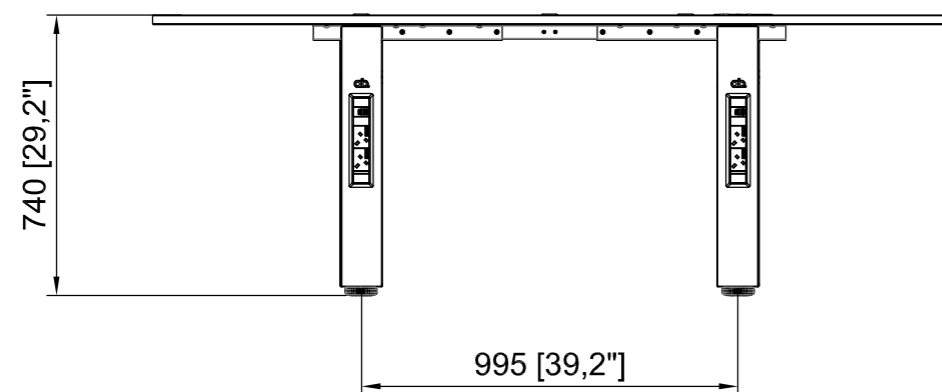
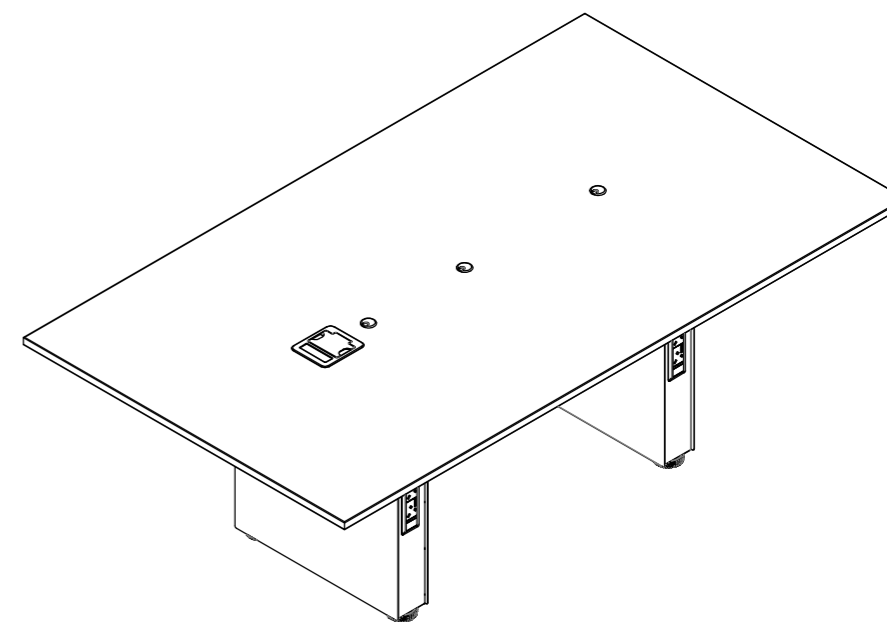
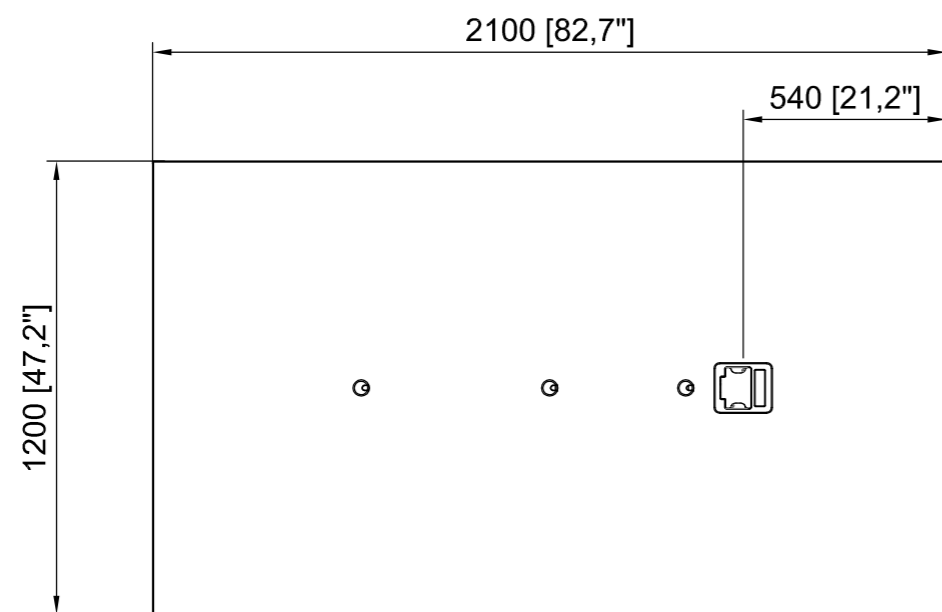
DATE

01

ORIGINAL

AM

07-10-2022



THIS DOCUMENT CONTAINS CONFIDENTIAL INFORMATION. ALL ASPECTS OF ITS CONTENTS ARE PROTECTED BY COPYRIGHT LAW AND MAY NOT BE REPRODUCED IN ANY MANNER, OR FOR ANY PURPOSE, EXCEPT BY WRITTEN PERMISSION OF ASHTON BENTLEY COLLABORATION SPACES LTD, THE COPYRIGHT HOLDER.

THE ITEMS DETAILED IN THIS DRAWING ARE PART OF AN ASHTON BENTLEY PRODUCT WHICH IS PROTECTED UNDER UK PATENT NO. GB2502100

DRAWN BY:

A MESTRE

DATE:

07-10-2022

APPROVED BY:

J ROWE

DATE:

07-10-2022



ASHTON BENTLEY COLLABORATION SPACES LTD.
23 SCHOONER PARK, SCHOONER COURT, CROSSWAYS BUSINESS PARK,
DARTFORD, KENT, DA2 6NW UNITED KINGDOM

TITLE:

RT7 Rectangular 7 Seat Table

DRAWING NUMBER:

740-00217

THIRD ANGLE
PROJECTION:

DRAWING SIZE: A3

DIMENSIONS IN:
MM [INCHES]

SCALE:

1:20

SHEET:

1 OF 1

REV:

01

A

B

C

D

E