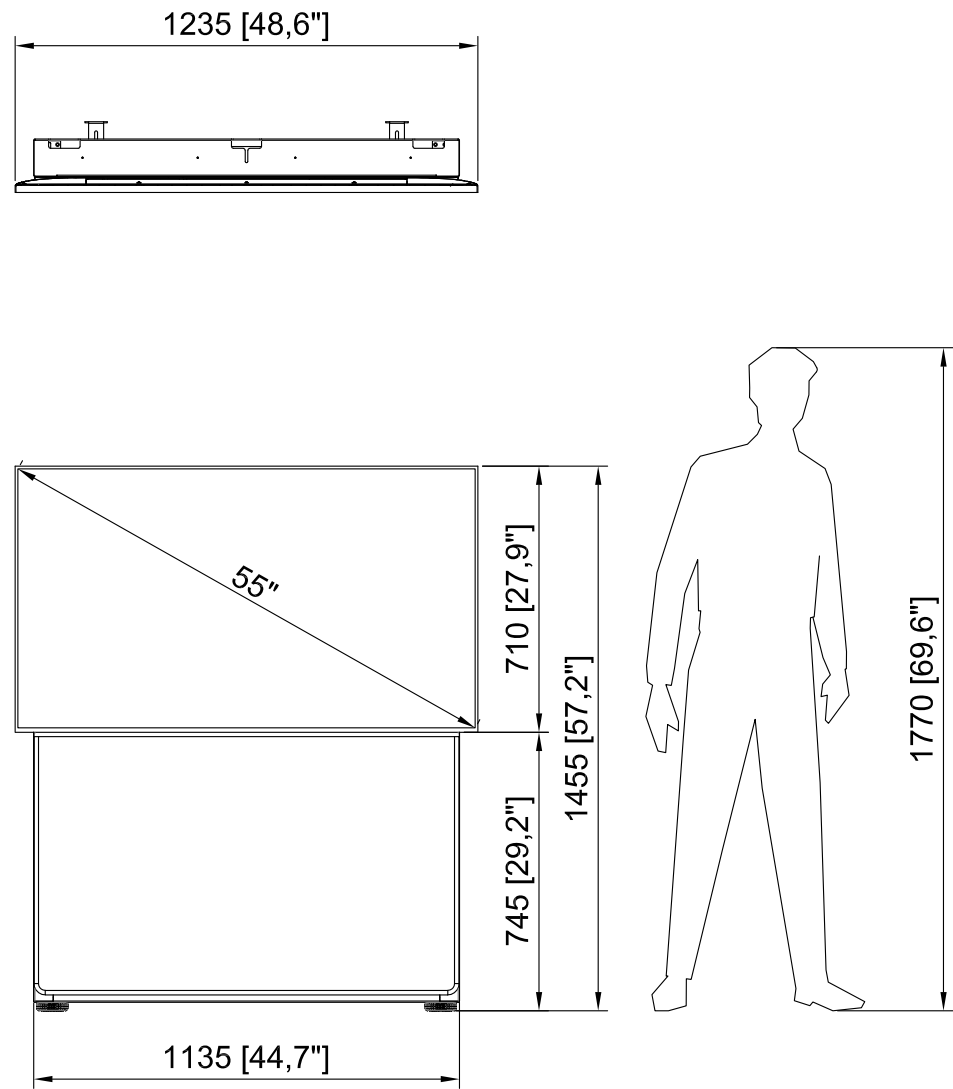
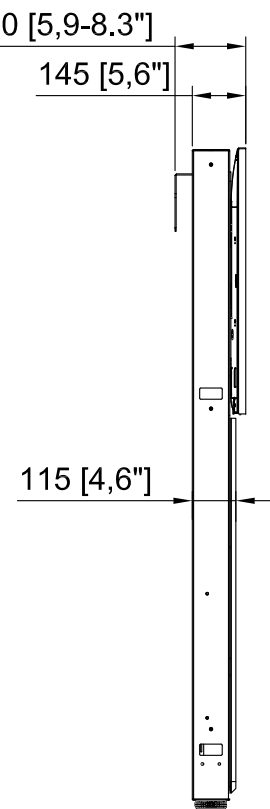
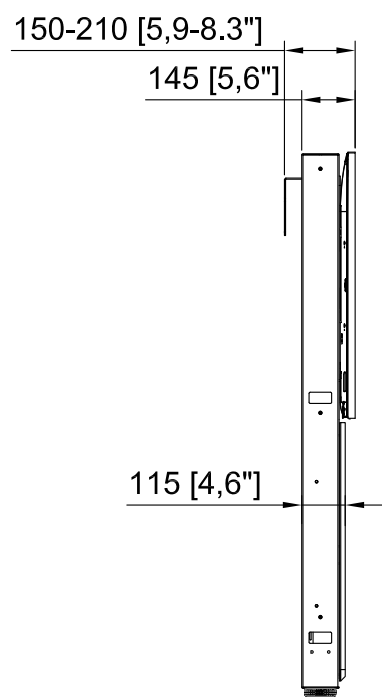
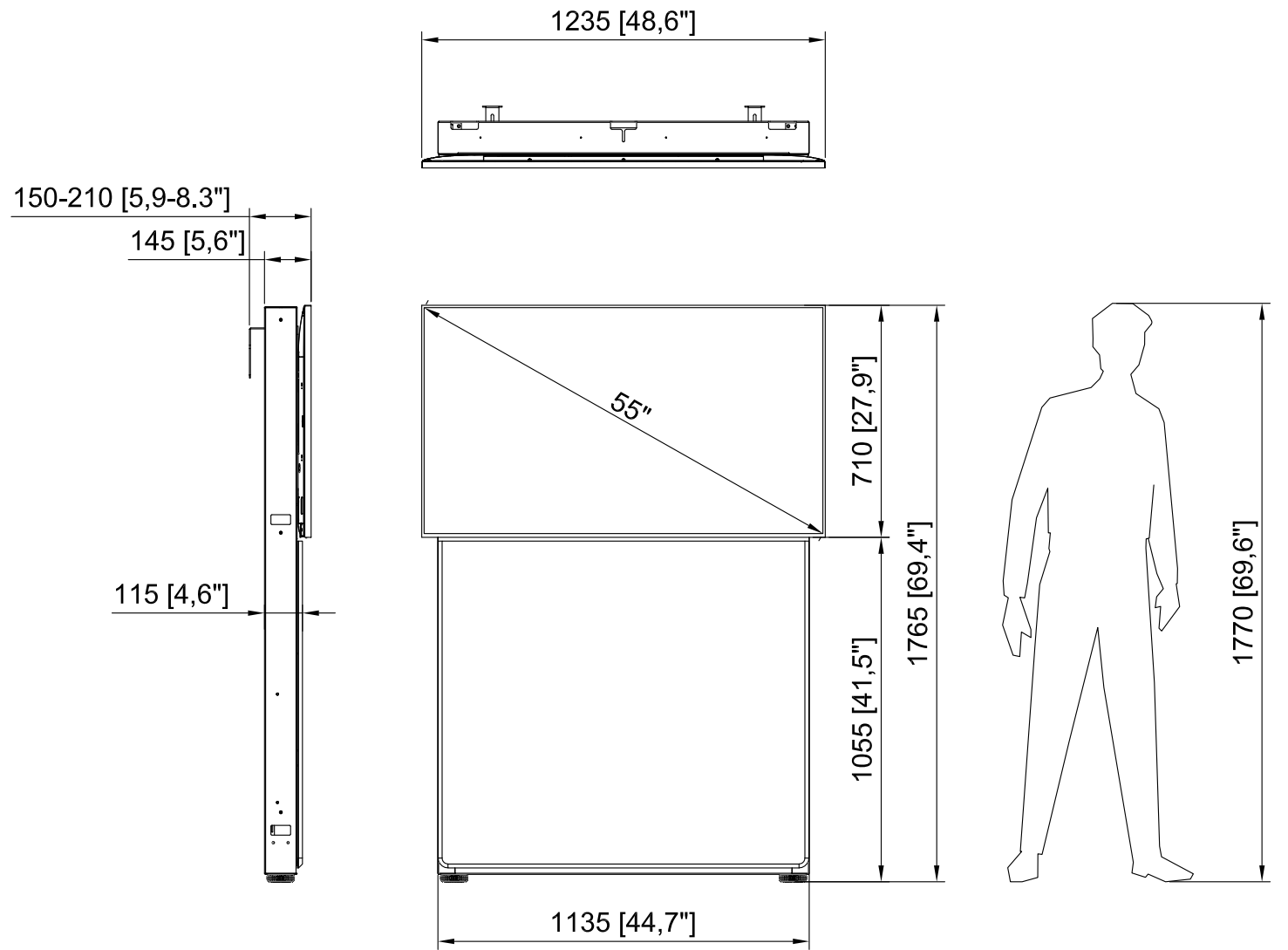


CHANGE No	REV	DESCRIPTION	DRAWN	DATE
	01	ORIGINAL	AM	16-12-2022
	02	ADD PERSON	AM	17-07-2023

Standard Height



Tall Height



DO NOT SCALE DRAWING. SCALE NOTE(S) ARE SCALE REFERENCES RELATIVE TO MAIN VIEW ONLY AND MAY NOT REFLECT ACTUAL PART SIZE ON DRAWING. REMOVE SHARP EDGES UNLESS SPECIFIED.

THIS DOCUMENT CONTAINS CONFIDENTIAL INFORMATION. ALL ASPECTS OF ITS CONTENTS ARE PROTECTED BY COPYRIGHT LAW AND MAY NOT BE REPRODUCED IN ANY MANNER, OR FOR ANY PURPOSE, EXCEPT BY WRITTEN PERMISSION OF ASHTON BENTLEY TRADING LIMITED, THE COPYRIGHT HOLDER. THE ITEMS DETAILED IN THIS DRAWING ARE PROTECTED UNDER SEVERAL PATENTS.



ASHTON BENTLEY TRADING LIMITED
 23 SCHOONER PARK, SCHOONER COURT,
 CROSSWAYS BUSINESS PARK, DARTFORD, KENT, DA2 6NW
 UNITED KINGDOM

DRAWN BY: A MESTRE	DATE: 17-07-2023	TITLE: One55 & Connect One55 Tall - Overall Dimensions
APPROVED BY: R VINTON	DATE: 17-07-2023	DRAWING NUMBER: 740-00230

Models shown with LG55UH5J-H

THIRD ANGLE PROJECTION:		DRAWING SIZE: A3	DIMENSIONS IN: MM [INCHES]	SCALE: 1:20	SHEET: 01 OF 1	REV: 02
-------------------------	--	-------------------------	-------------------------------	-----------------------	--------------------------	-------------------