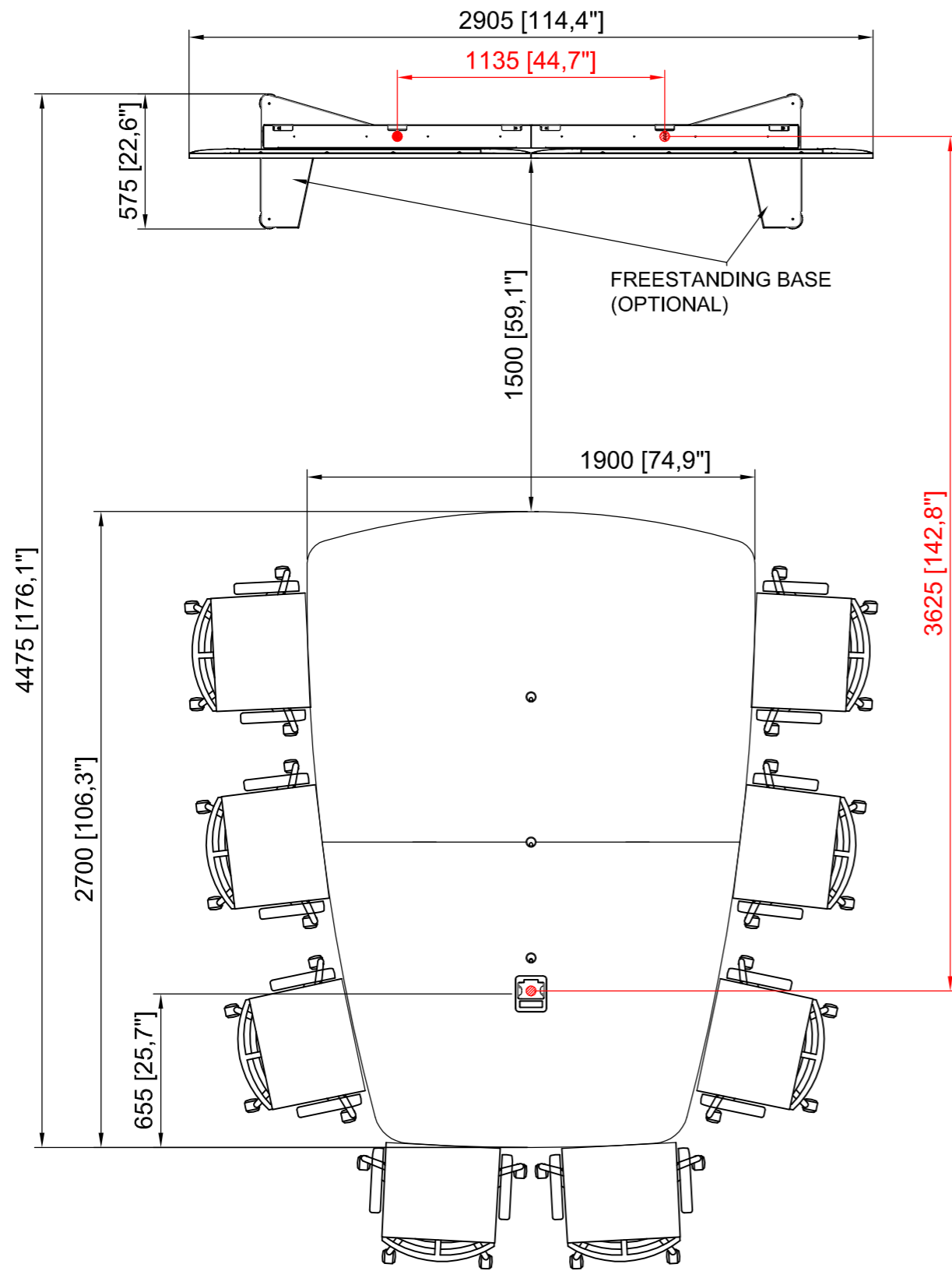
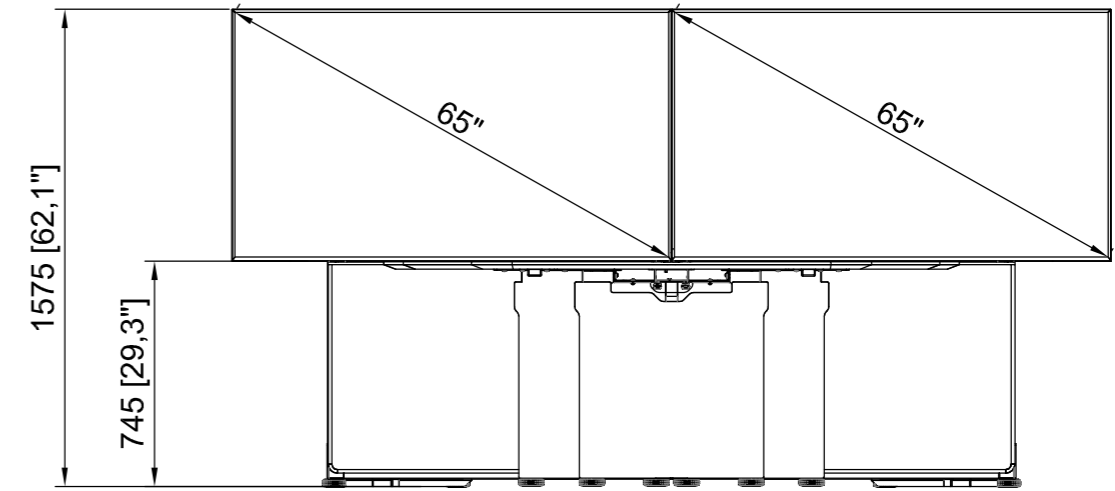


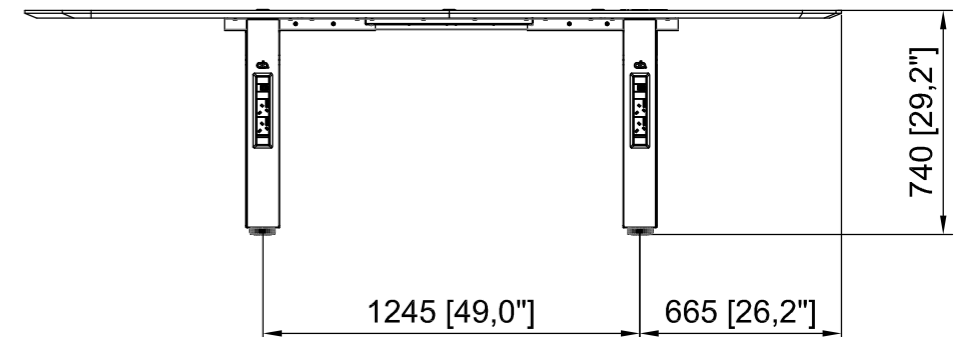
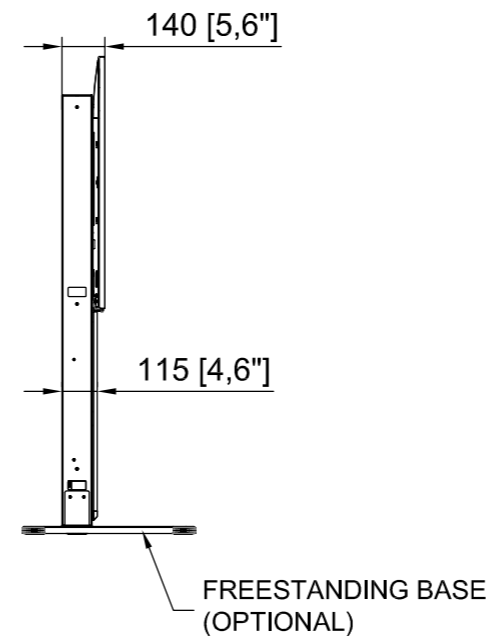
PLAN VIEW



FRONT VIEW



SIDE VIEW



THIS DOCUMENT CONTAINS CONFIDENTIAL INFORMATION. ALL ASPECTS OF ITS CONTENTS ARE PROTECTED BY COPYRIGHT LAW AND MAY NOT BE REPRODUCED IN ANY MANNER, OR FOR ANY PURPOSE, EXCEPT BY WRITTEN PERMISSION OF ASHTON BENTLEY COLLABORATION SPACES LTD, THE COPYRIGHT HOLDER.

THE ITEMS DETAILED IN THIS DRAWING ARE PART OF AN ASHTON BENTLEY PRODUCT WHICH IS PROTECTED UNDER UK PATENT NO. GB2502100

DRAWN BY:	DATE:
A MESTRE	08-02-2023
APPROVED BY:	DATE:
R VINTON	08-02-2023

THIRD ANGLE PROJECTION:

CHANGE No	REV	DESCRIPTION	DRAWN	DATE
	01	ORIGINAL	AM	08-02-2023

System: AB Connect Two65
Table: ST8 Shaped 8 Seat Table

Recommended Floor Grommet positions shown in red (for power and data access)



ASHTON BENTLEY COLLABORATION SPACES LTD.
23 SCHOONER PARK, SCHOONER COURT, CROSSWAYS BUSINESS PARK,
DARTFORD, KENT, DA2 6NW UNITED KINGDOM

TITLE:	Connect Two65 with ST8 Shaped 8 Seat Table - Overall Dimensions
DRAWING NUMBER:	740-00256

DRAWING SIZE: A3	DIMENSIONS IN: MM [INCHES]	SCALE: 1:25	SHEET: 1 OF 1	REV: 01
------------------	----------------------------	-------------	---------------	---------