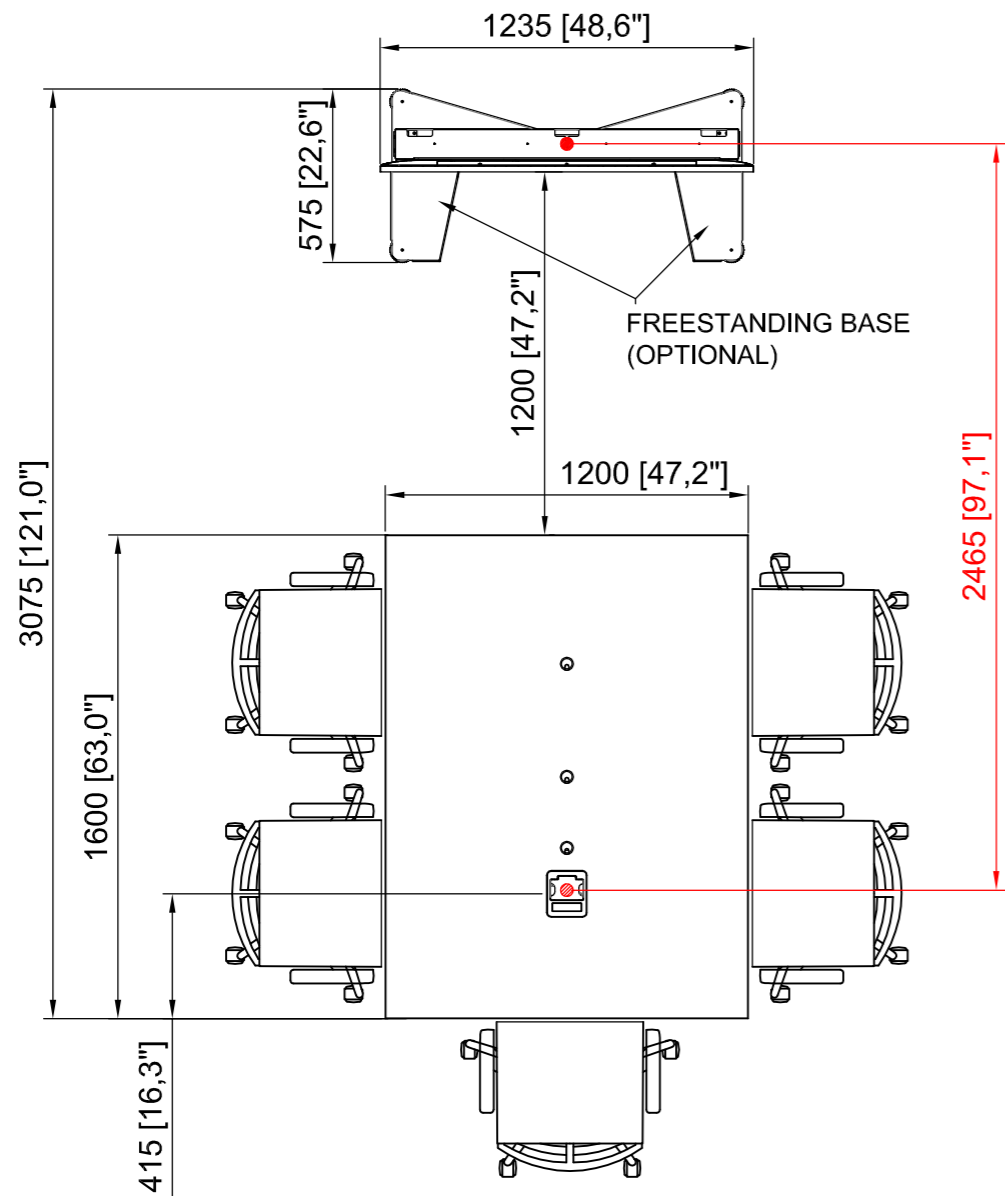
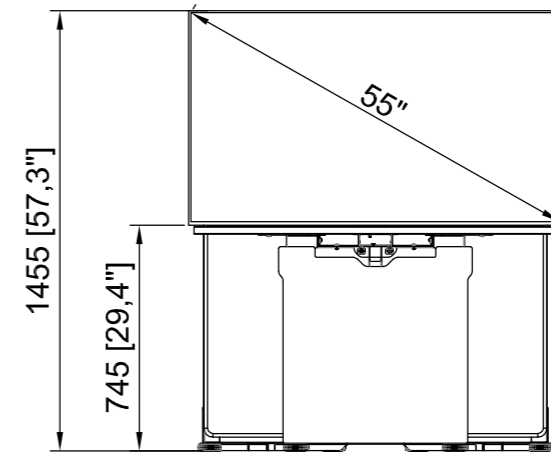


PLAN VIEW

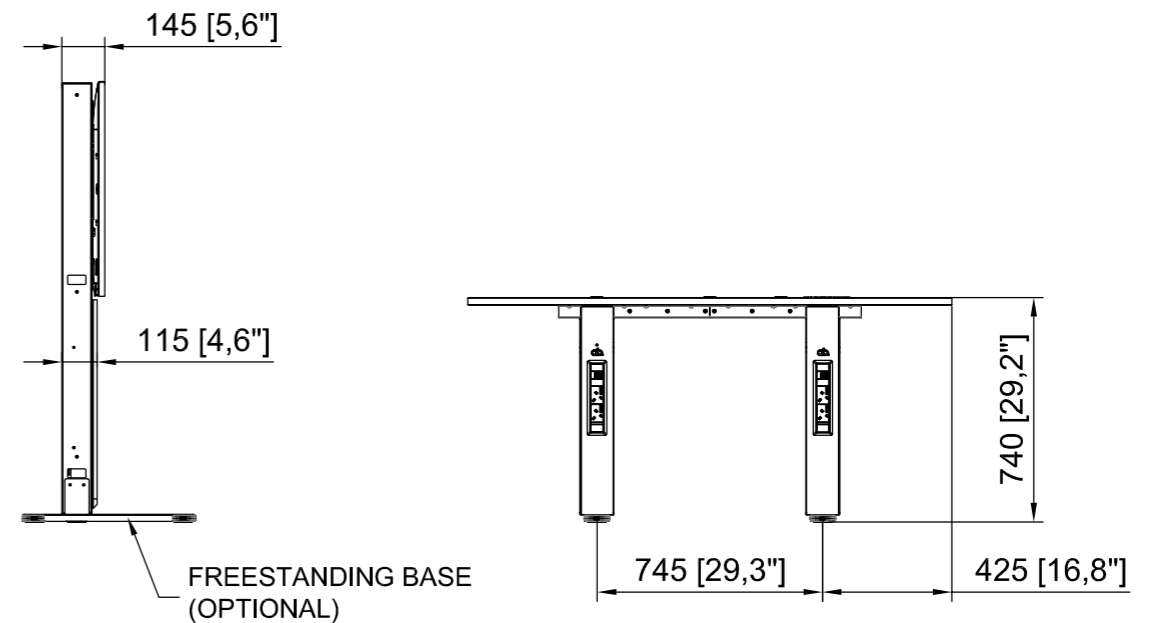


CHANGE No	REV	DESCRIPTION	DRAWN	DATE
	01	ORIGINAL	AM	08-02-2023

FRONT VIEW



SIDE VIEW



THIS DOCUMENT CONTAINS CONFIDENTIAL INFORMATION. ALL ASPECTS OF ITS CONTENTS ARE PROTECTED BY COPYRIGHT LAW AND MAY NOT BE REPRODUCED IN ANY MANNER, OR FOR ANY PURPOSE, EXCEPT BY WRITTEN PERMISSION OF ASHTON BENTLEY COLLABORATION SPACES LTD, THE COPYRIGHT HOLDER.

THE ITEMS DETAILED IN THIS DRAWING ARE PART OF AN ASHTON BENTLEY PRODUCT WHICH IS PROTECTED UNDER UK PATENT NO. GB2502100



ASHTON BENTLEY COLLABORATION SPACES LTD.
23 SCHOONER PARK, SCHOONER COURT, CROSSWAYS BUSINESS PARK,
DARTFORD, KENT, DA2 6NW UNITED KINGDOM

TITLE:
Connect One55 with RT5 Rectangular 5 Seat Table - Overall Dimensions

DRAWING NUMBER:
740-00259

System: AB Connect One55
Table: RT5 Rectangular 5 Seat Table

Recommended Floor Grommet positions shown in red (for power and data access)



DRAWING SIZE: A3 DIMENSIONS IN: MM [INCHES] SCALE: 1:25 SHEET: 1 OF 1 REV: 01