

# TWO

## 75" Chassis - Camera Below

Assembly Guide



# Two75 - Dual 75" Display Chassis – Camera Below.

Assembly Guide



## **Please read before proceeding.**

Before proceeding with assembly, connection, and operation, please ensure that you read this document fully, and any additional documentation that may be included with the product.

Please keep this Assembly Guide for future reference.

We have tried to make this Assembly Guide as simple as possible to follow, however we are always keen to improve. So if you find anything that is not clear or inaccurate, please let us know by sending your suggestions to: [support@ashtonbentley.com](mailto:support@ashtonbentley.com).

### **Trademark Information**

Ashton Bentley®, and the names and marks associated with Ashton Bentley Group Limited's products, are trademarks and/or service marks of Ashton Bentley Trading Limited, and are registered and/or common law marks in the United Kingdom and various other countries. All other trademarks are property of their respective owners.

### **Patent Information**

The accompanying product is protected by one or more UK, EU, US, and foreign patents and/or pending patent applications held by Ashton Bentley Trading Limited.

No part of this documentation may be reproduced or transmitted in any form or by any means, electronic or mechanical, for any purpose, without the express written permission of Ashton Bentley Trading Limited. Under the law, reproducing includes translating into another language or format. As between the parties, Ashton Bentley Trading Limited retains title to and ownership of all proprietary rights with respect to the software contained within its products.

Any software is protected by copyright laws and international treaty provision. Therefore, the software must be treated like any other copyrighted material (e.g., a book or sound recording).

Every effort has been made to ensure that the information in this manual is accurate. Ashton Bentley Trading Limited is not responsible for printing or clerical errors. Information in this document is subject to change without notice.

[www.ashtonbentley.com](http://www.ashtonbentley.com)

23 Schooner Court, Crossways Business Park, Dartford, DA2 6NW, United Kingdom.

© 2024 Ashton Bentley Trading Limited All rights reserved

# **1. Important Safety Information**

# Two75 - Dual 75" Display Chassis – Camera Below.

Assembly Guide



## Important safety information.

### General

The following information and precautions should always be followed to reduce the risk of damage or injury. If in any doubt about installation, operation or maintenance please contact your vendor or Ashton Bentley.

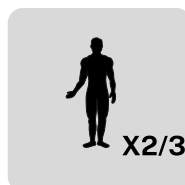
- Follow all warnings and instructions in this document and marked on the equipment.
- Allow plenty of space in the construction area.
- Only operate the system indoors, in a dry environment.
- Always use suitable cable management or install cables under a raised floor to avoid trip hazards.
- Do not block or cover any vents on the products.

### Displays, Chassis and Tables.

As some parts are large and heavy, we recommend a two-person assembly. If tethering a Chassis to a wall using the supplied Ashton Bentley Wall Brackets, ensure the wall is solid, stable, and that suitable fixings (not provided) are used.

## Recommendations and warnings.

Symbols are used where extra attention is required. For example, if an item is heavy and requires a minimum number of personnel.



### Electrical.

If the incoming mains electrical feed is unstable or prone to transient input voltage spikes of more than 1KV, we recommend the use of a surge protector connected to the power input cable.

If any of the following are noticed, then do not use the product until everything is back to a fully safe state:

- Damaged power cables, plugs, power supplies/adapters, extension cords or surge protectors
- Signs of overheating, such as smoke, sparks, or fire.
- Signs of liquid ingress or an object that has fallen onto the electronic elements of the product, the power cable, or the power supply/adapter.

### Note:

Never wrap a power cable around a power supply/adapter or other object. Always route power cables so that they will not be walked on, tripped over, or pinched by objects.

Do not use any power supply/adapter that shows corrosion at the ac input pins or shows signs of overheating (such as deformed plastic).

The power cable and supply/adapter provided with this product are intended to be used with this product only. Do not use them with any other products. The use of 3rd party power supplies/adaptors will invalidate the warranty.

Do not use the system, disconnect any cables, perform installation, maintenance, or reconfiguration of this product during an electrical storm.

Any product not supplied by Ashton Bentley should not be used if any of the above or other faults are experienced. Immediately disconnect from the Ashton Bentley product, along with the power supply and contact the product manufacturer for further instructions, or until a suitable replacement can be made.



## **2. Product Components**

# Two75 - Dual 75" Display Chassis – Camera Below.

Assembly Guide



Display(s) are not supplied with the chassis, they must be ordered separately.  
If supplied by Ashton Bentley each display is shipped in its own box, clearly marked.

## Product Components.

The product is supplied in one or more boxes. The contents, with Box ID, are listed below.

Please note anything missing and report back to you supplier.

### Large Universal Floor-to-Wall Chassis

1x	Large Universal Floor-to-Wall Chassis-Left Chassis Assembly	810-00272
1x	Large Universal Floor-to-Wall Chassis-Right Chassis Assembly	810-00273

### Large Universal Floor-to-Wall Chassis - Display Rails

1x	Large Universal Floor-to-Wall Chassis-Top Horizontal Bar	430-00724
1x	Large Universal Floor-to-Wall Chassis -Bottom Horizontal Bar	430-00725

### Large Universal Chassis - PET Acoustic Front Covers

1x	Large Universal Chassis-PET Acoustic Front Cover Assembly (Right)	810-00314
1x	Large Universal Chassis-PET Acoustic Front Cover Assembly (Left)	810-00313

### Large Universal Chassis - Chassis Accessories / Cables

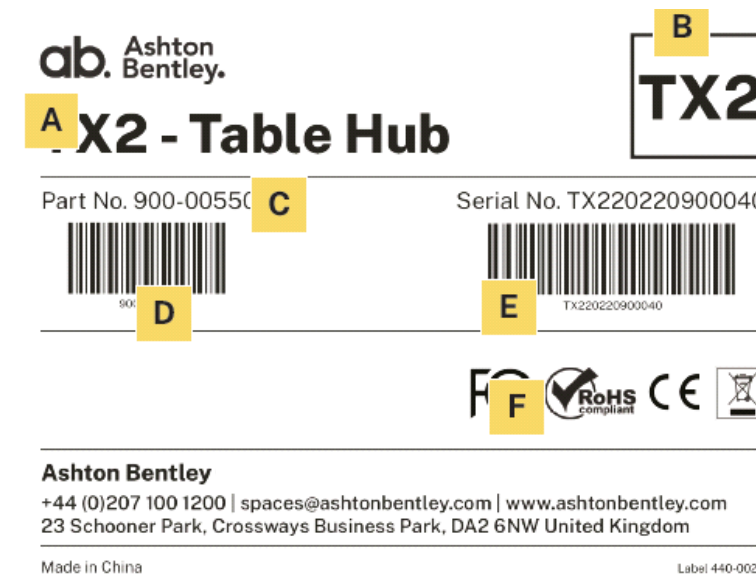
1x	55-65 Floor-to-Wall Chassis-AB Equipment Bracket	430-00538
1x	55-65 Floor-to-Wall Chassis-Wall Bracket	430-00541
1x	55-65 Floor-to-Wall Chassis-Top Shelf	430-00545
1x	IEC C13 to UK plug -3m -Power Input Cable	115-00069
1x	IEC C13 (Black) to IEC C14 (Black) -Cable -1.5m	115-00074
1x	IEC C13 (Black) to IEC C14 (Black) -Cable -0.5m	115-00073
1x	HDMI to HDMI -Cable -2m -Black	115-00067

### Dual65" Display Mounting Kit

1x	VESA Display Fixings Pack	820-00036
----	---------------------------	-----------

Each box will have a label attached that identifies what it contains, plus some additional information. Some labels have more details than others depending on contents.

A sample label looks like this:



- A: Product Description
- B: Box ID
- C: Part Number
- D: Part Number Barcode
- E: Serial Number Barcode (if applicable)
- F: Compliance & Conformity

### **3. How to use this Assembly Guide**

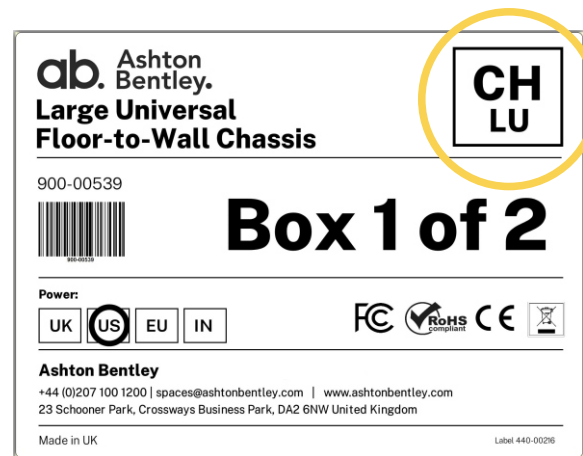
# Two75 - Dual 75" Display Chassis – Camera Below.

Assembly Guide

## How to use this Assembly Guide.

### Product Components

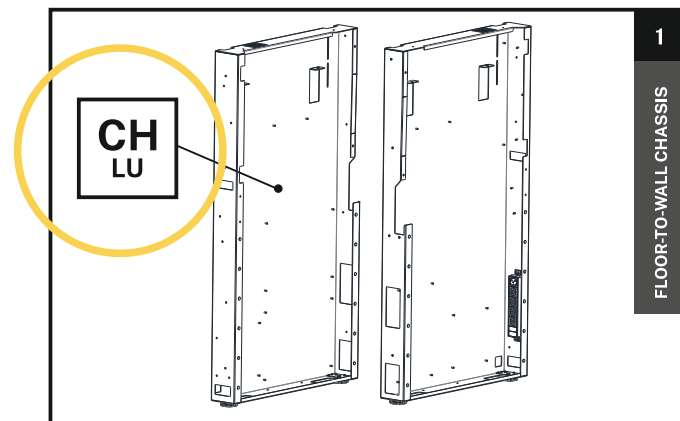
The product is supplied in several boxes. Each box has a label that contains information about the contents and a Box ID which can be located as shown below:



### Box ID

Box ID is referenced in the instructions so you can locate the parts required at that point of assembly.

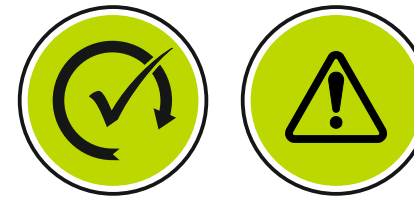
For example, in the instructions:



### AB Knobs

The product is assembled using AB Knobs that are designed to be tightened by hand. Always ensure all knobs are secure before proceeding to the next step.

Some parts require particular attention, and these are indicated as follows:



### Important instruction

The following symbols show the correct procedure.

Incorrect



Correct



## **4. Pre-Installation**



# Two75 - Dual 75" Display Chassis – Camera Below.

Assembly Guide



## Notes.

Make sure the work area is clear and safe. Wear any appropriate PPE.

Check if any items are heavy and require more personnel.

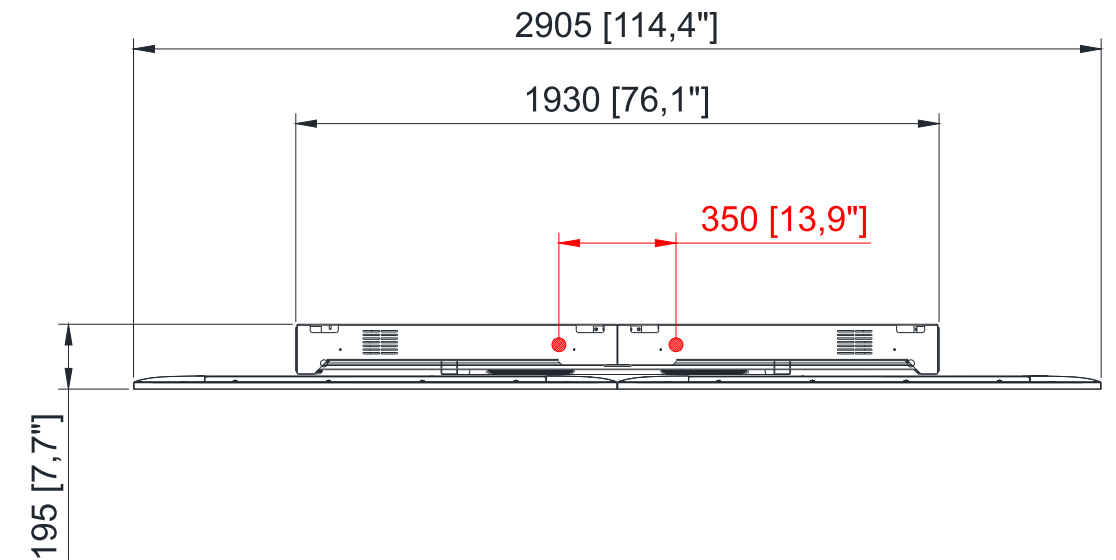
If using any power tools, follow all safety protocols.

If integrating with any other manufactures products make sure that these are set-up according to the manufacturer's instructions.

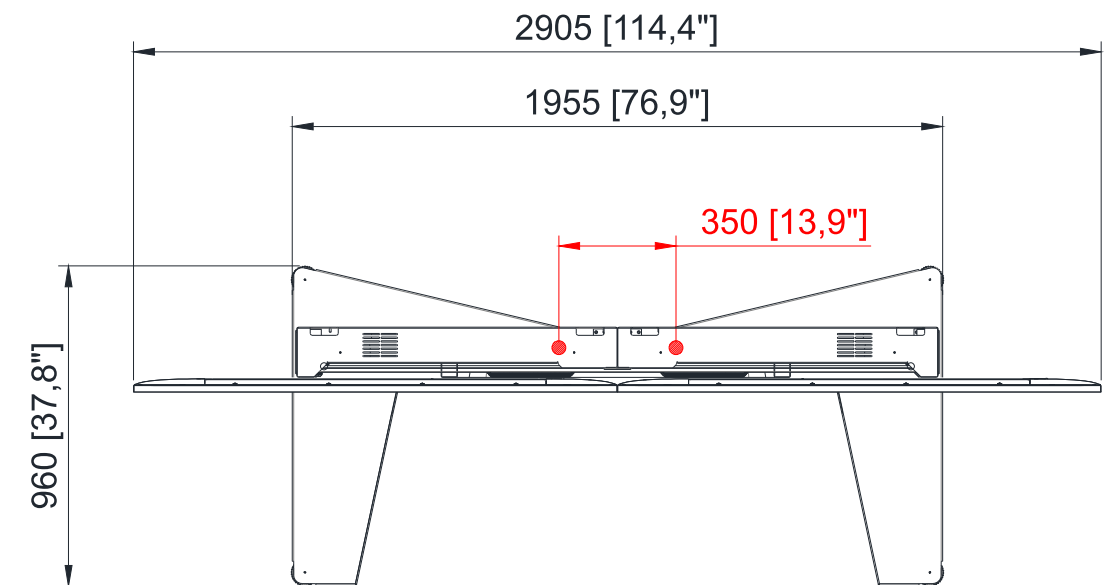
Ensure that any local electrical codes are followed.

## Floor Grommet Placement Dimensions.

Floor to wall chassis (shown with Dual 75" Displays)



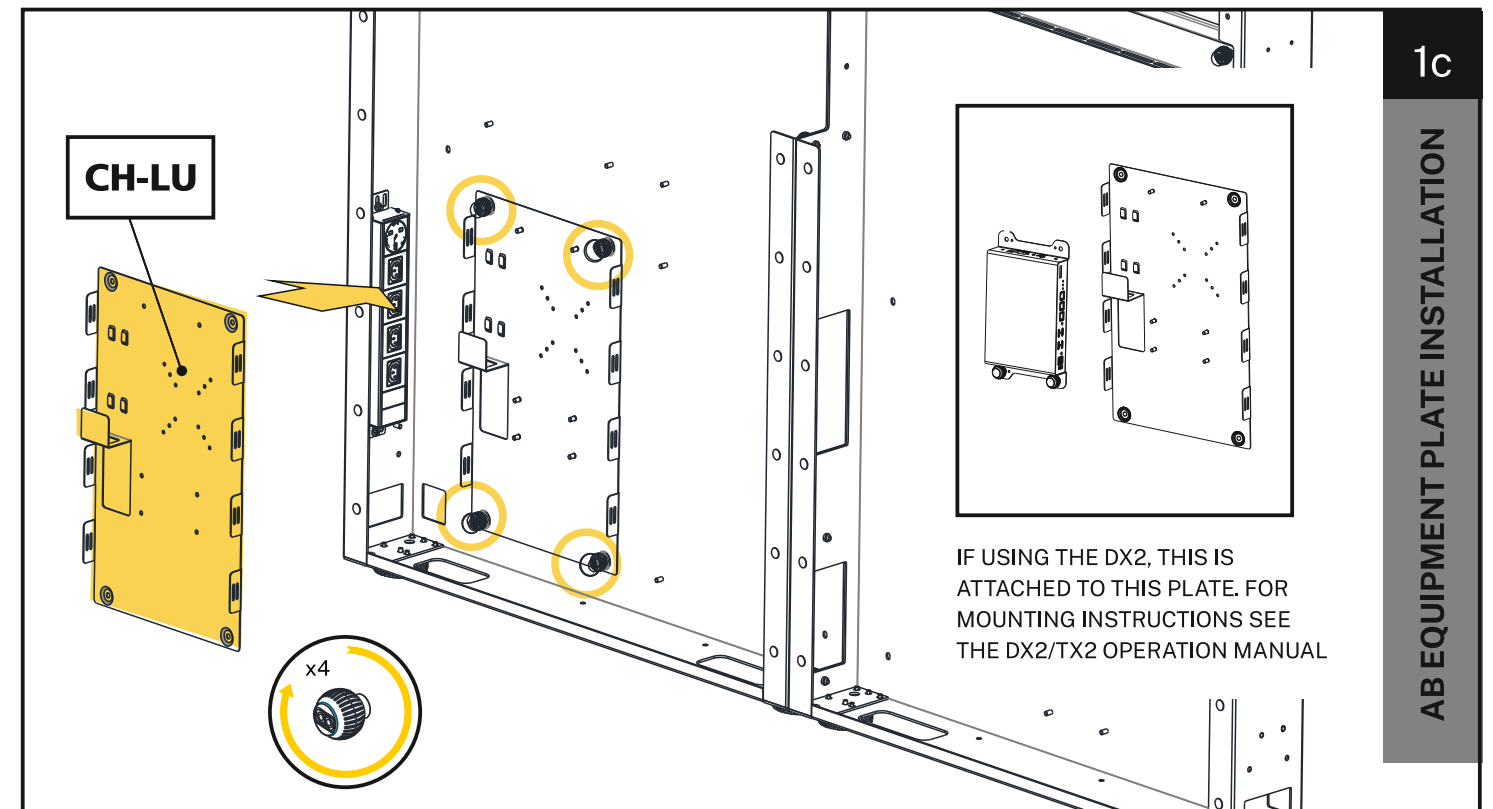
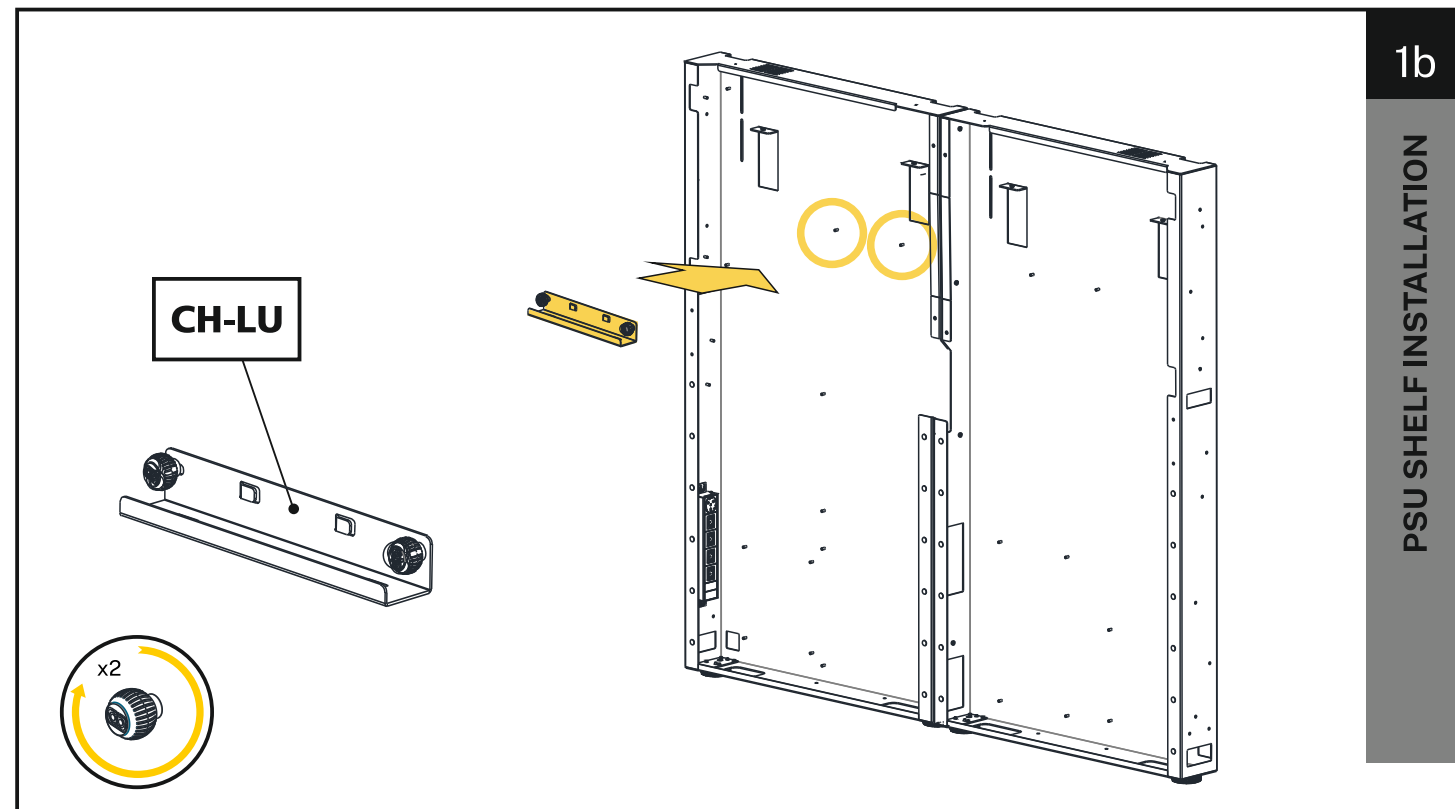
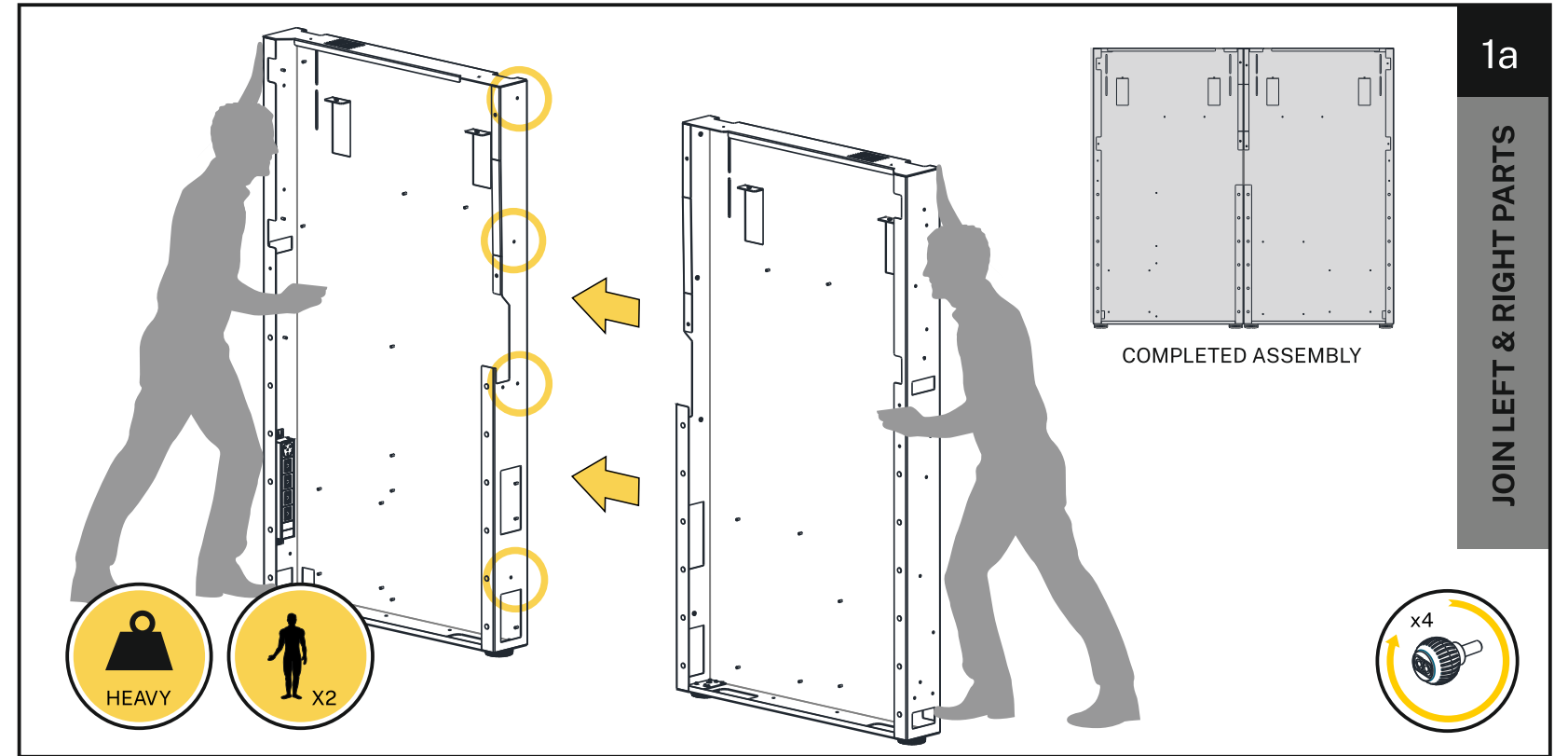
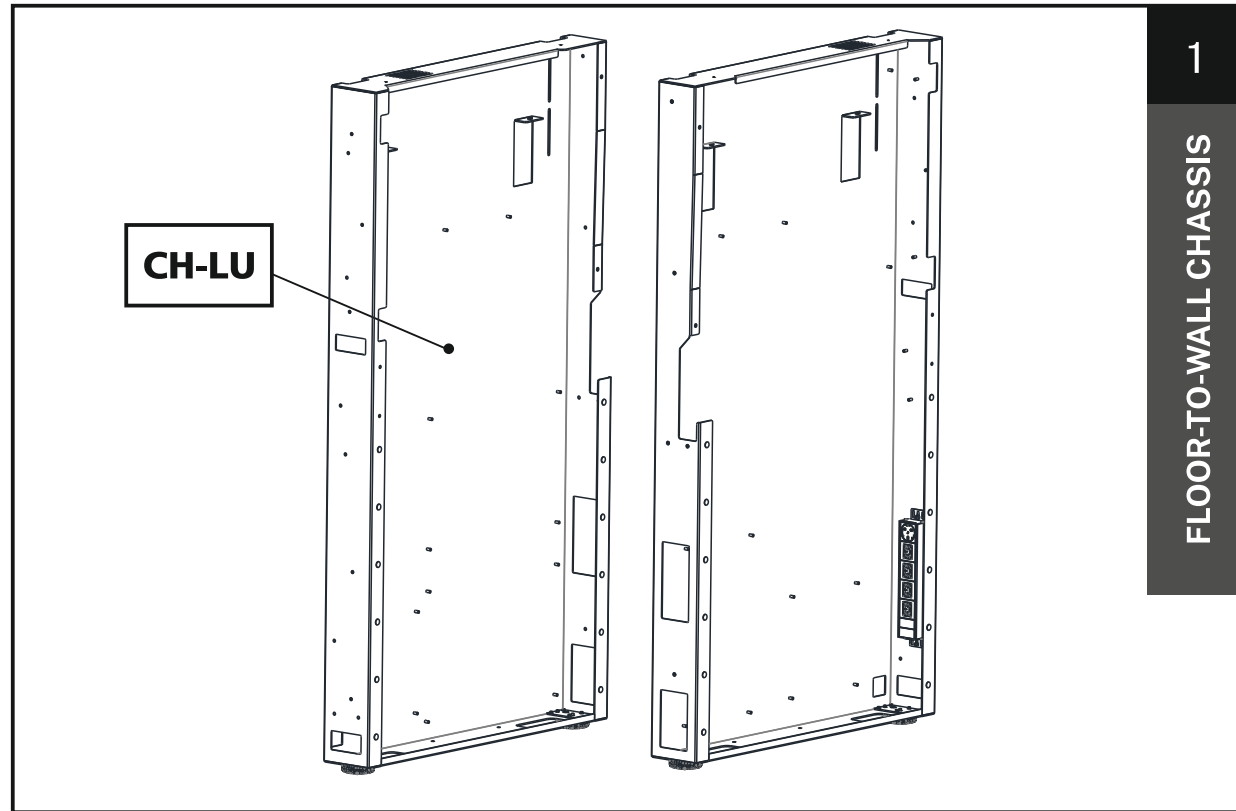
Chassis with Freestanding Base (shown with Dual 75" Displays)



## **5. Large Universal Chassis Assembly**

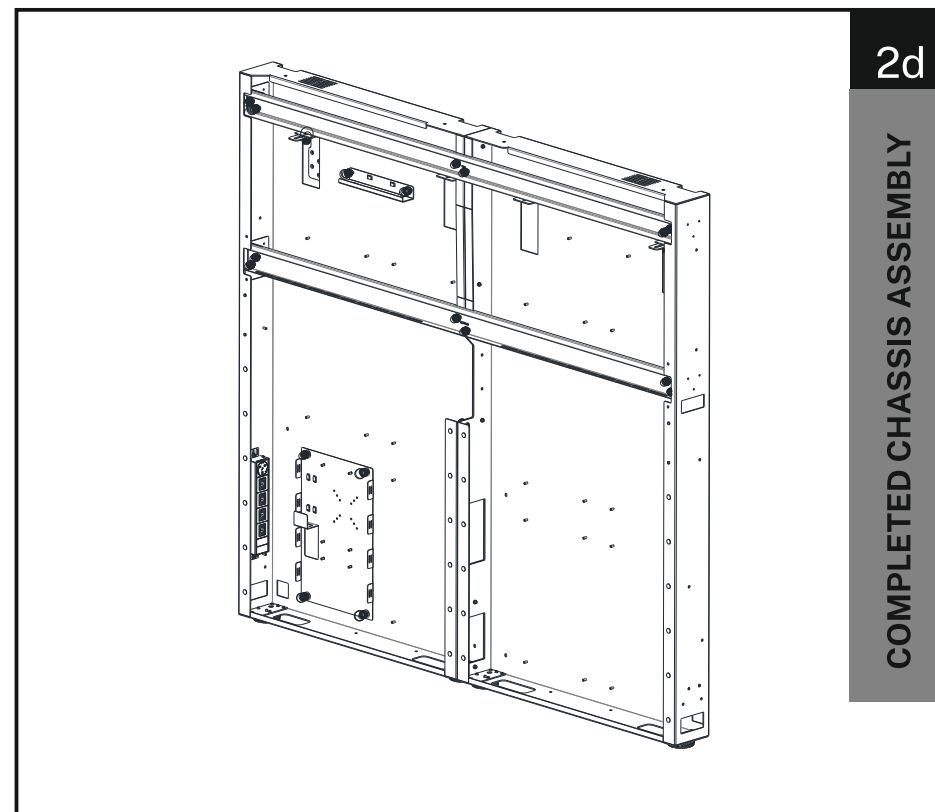
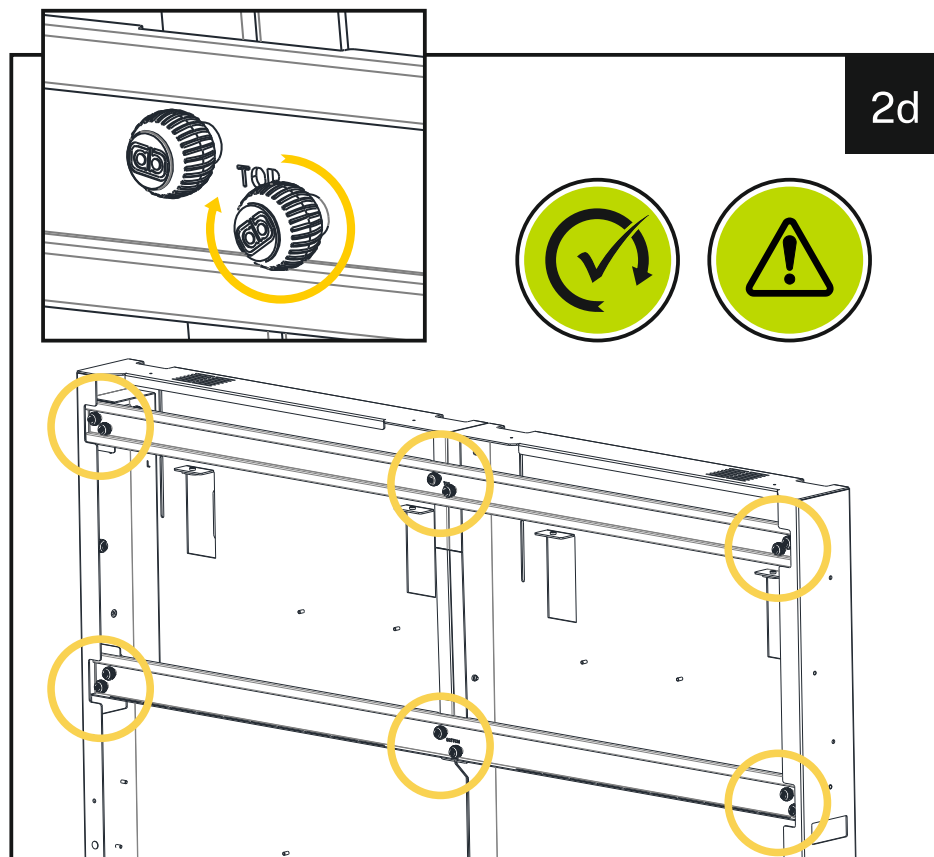
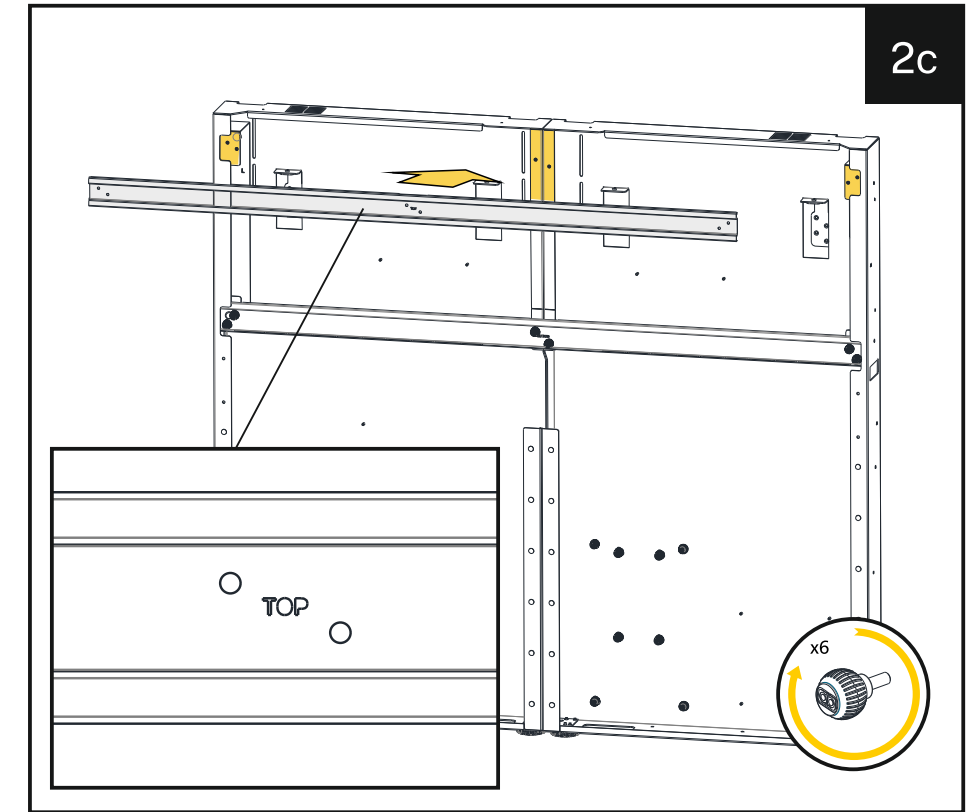
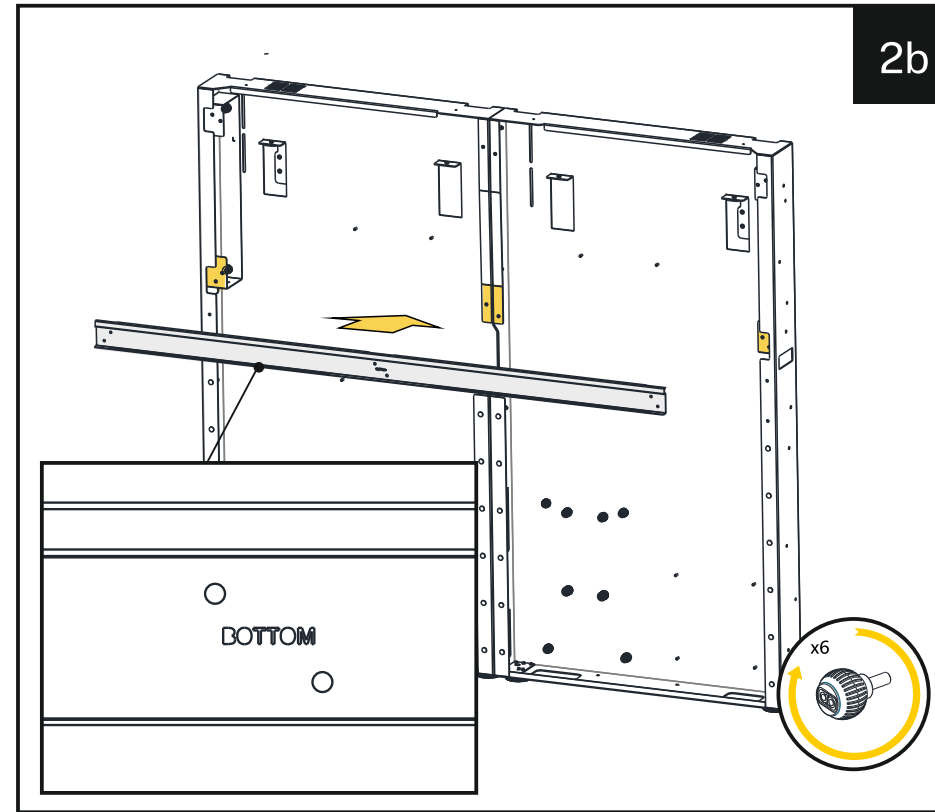
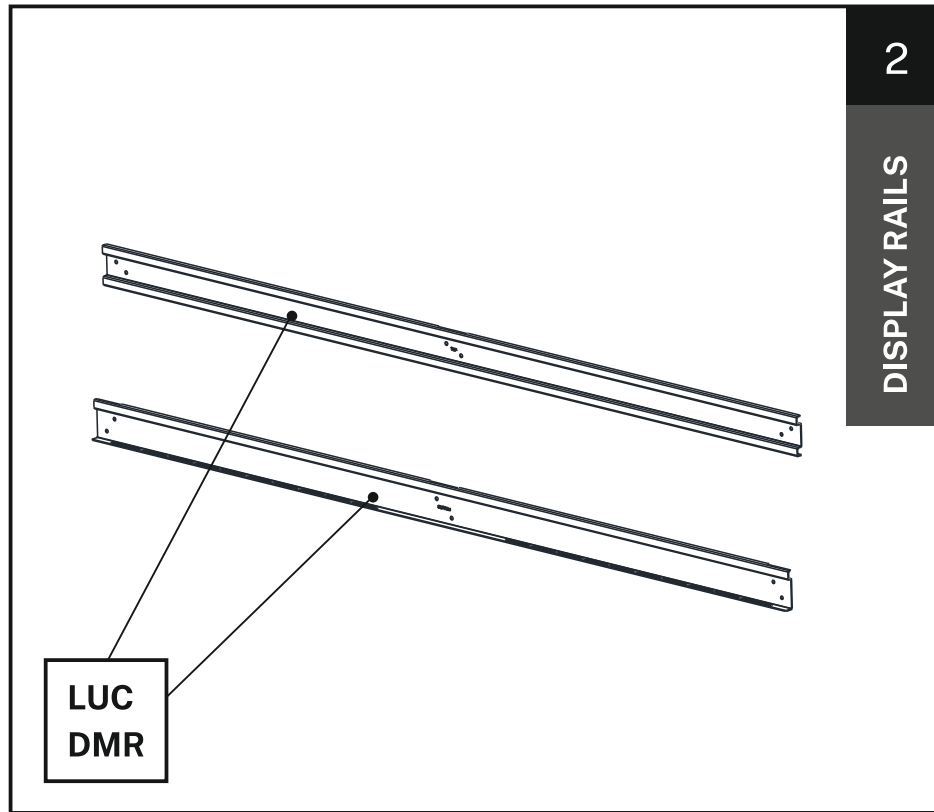
# Two75 - Dual 75" Display Chassis – Camera Below.

Assembly Guide



# Two75 - Dual 75" Display Chassis - Camera Below.

Assembly Guide



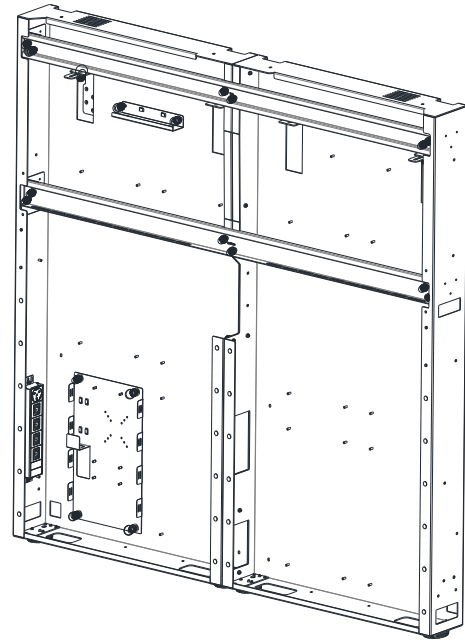
## **6. Base Options**



# Two75 - Dual 75" Display Chassis – Camera Below.

Assembly Guide

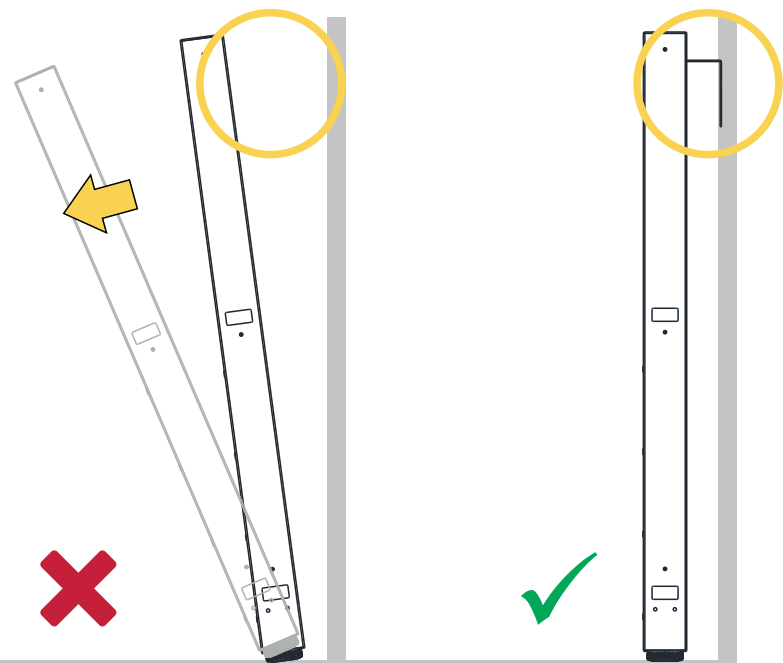
3



Supplied as Standard with no Base

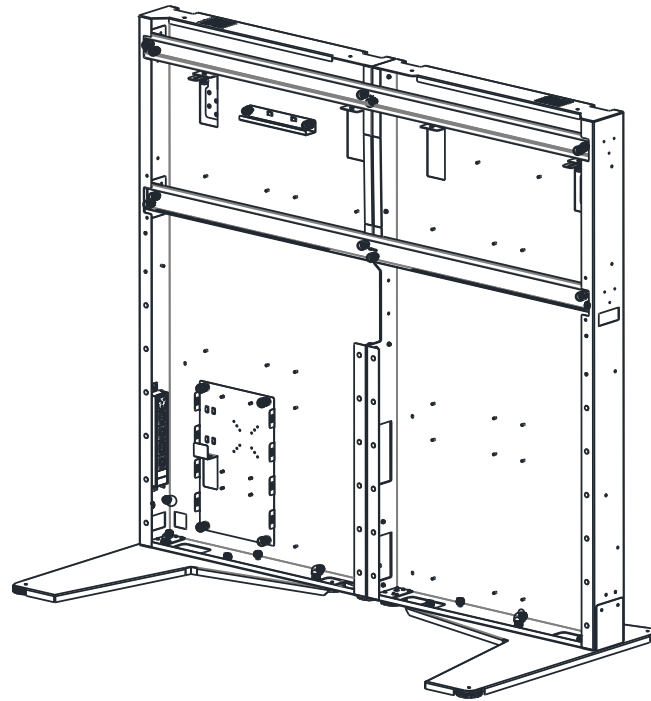


The Chassis is designed to minimize space required and be as close to the wall as possible. Supplied as standard (with no base) the Chassis must be tethered to the wall. Brackets are supplied. The wall fixing is not load bearing, but prevents it being tipped forward.



WALL FIXINGS NOT SUPPLIED

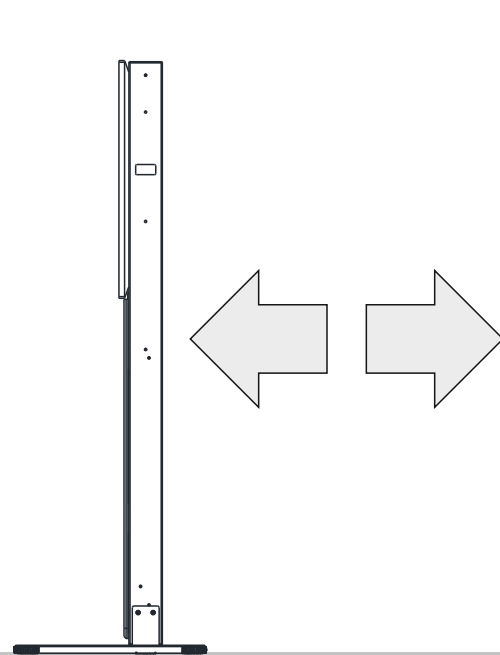
4



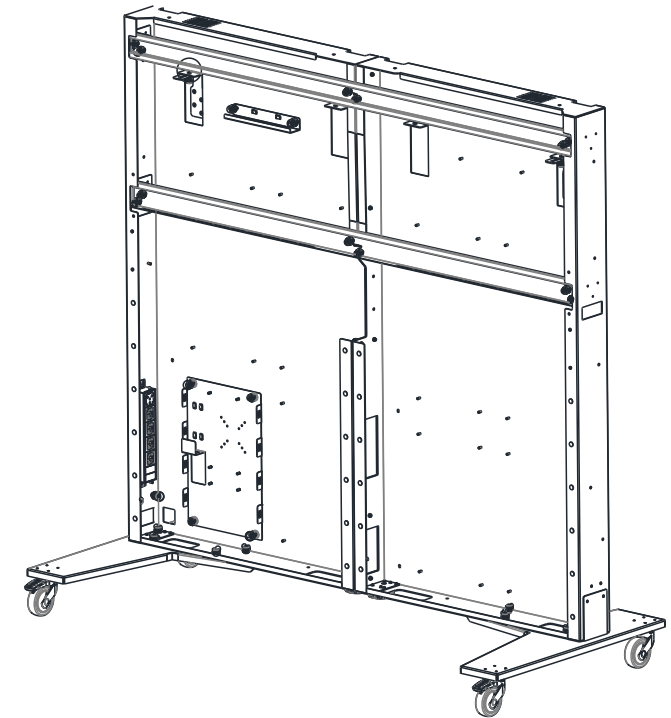
Optional Base – FREESTANDING



The Freestanding base removes the need to tether the Chassis to a wall, allowing it to be placed in free-space or against glass partitions. Requires no building work to secure/support the system.



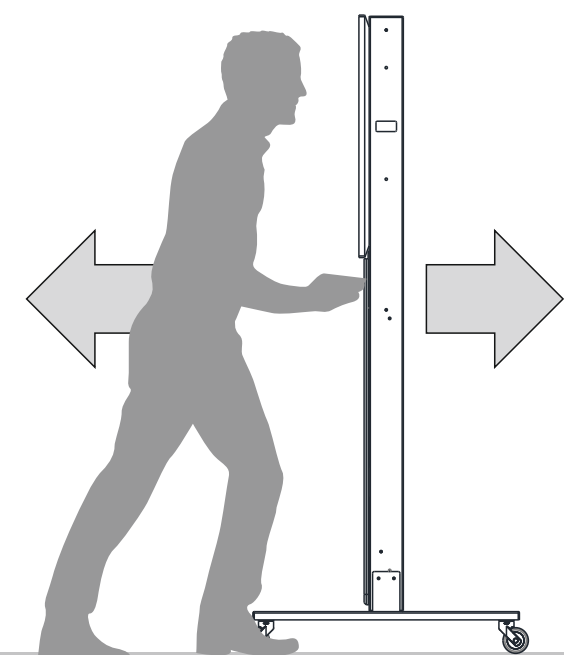
5



Optional Base – MOBILE

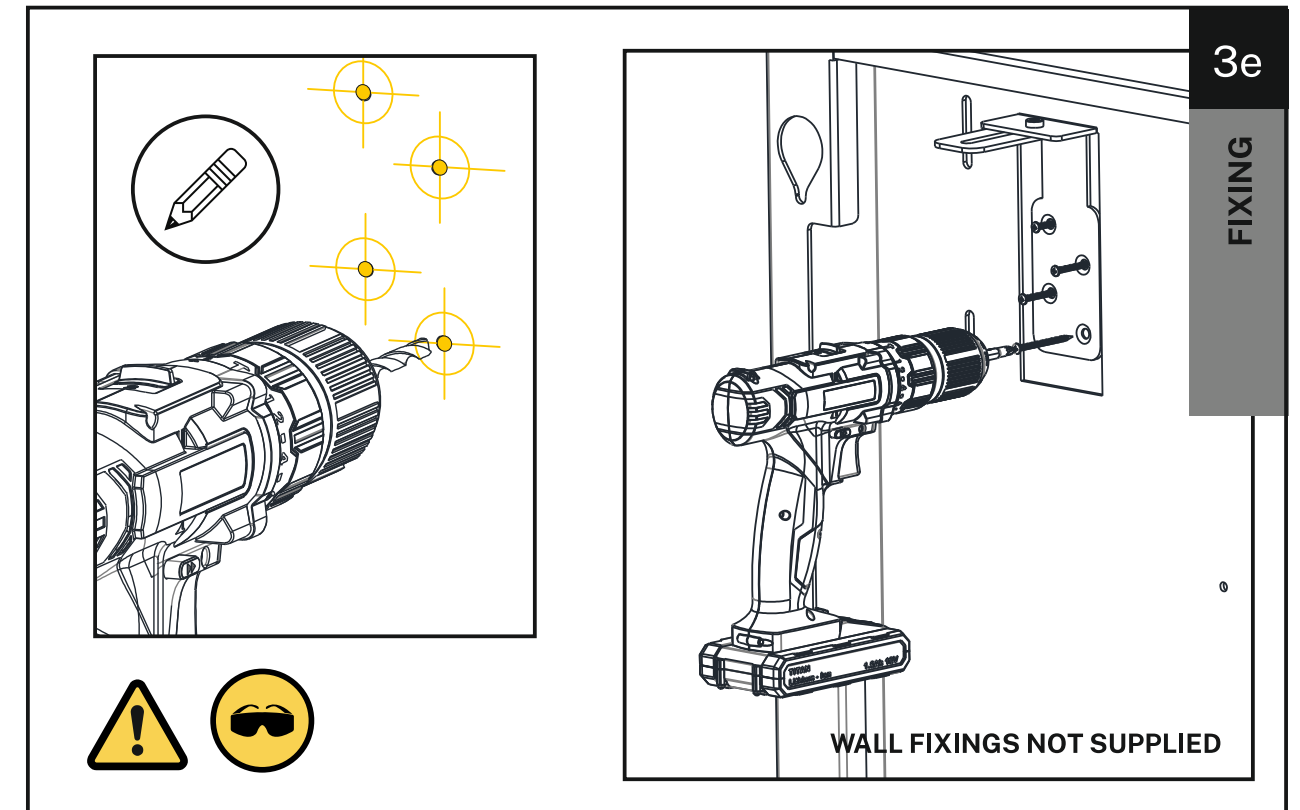
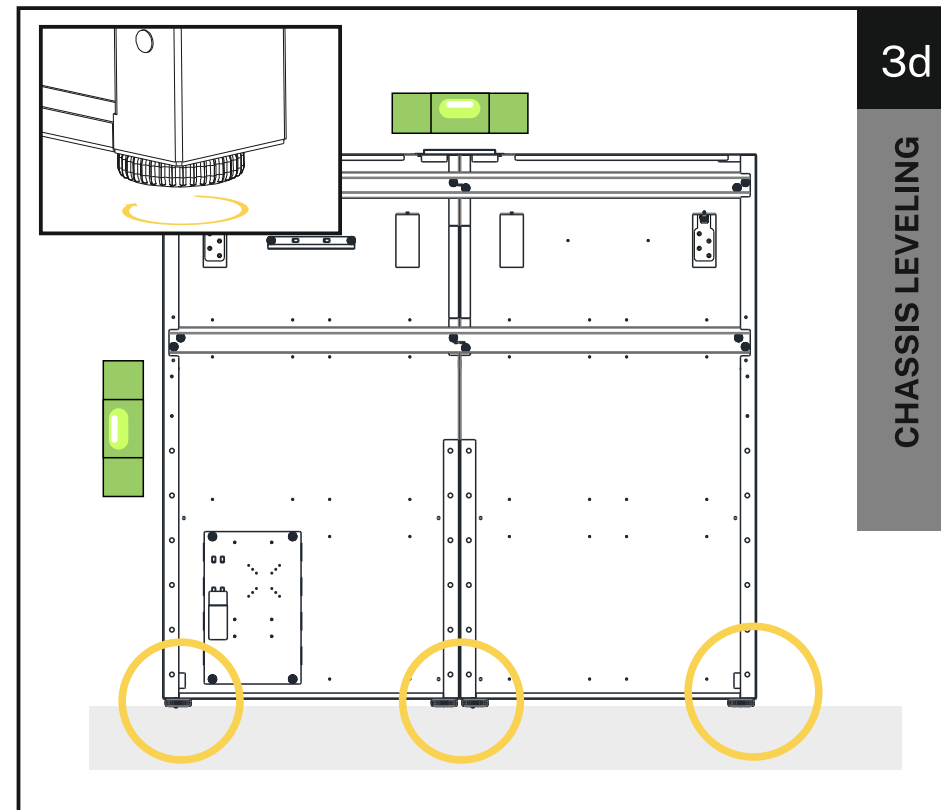
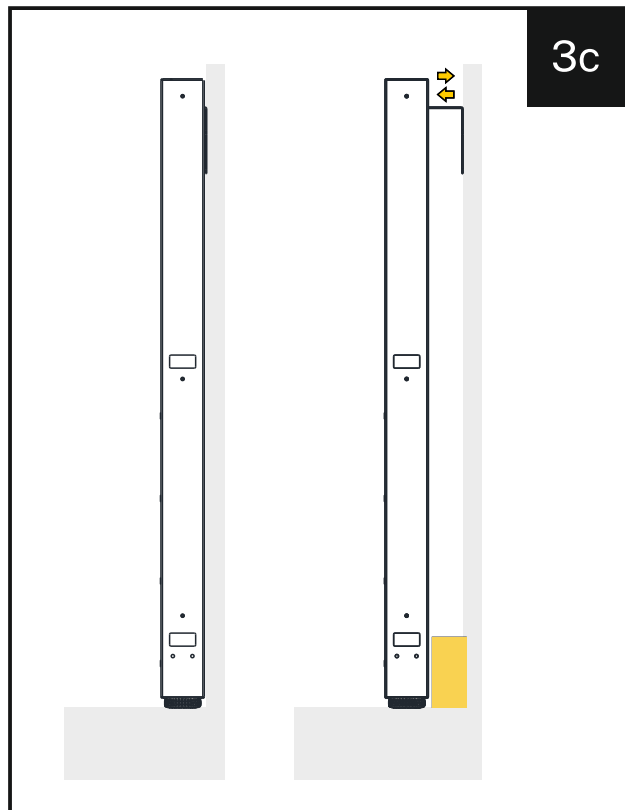
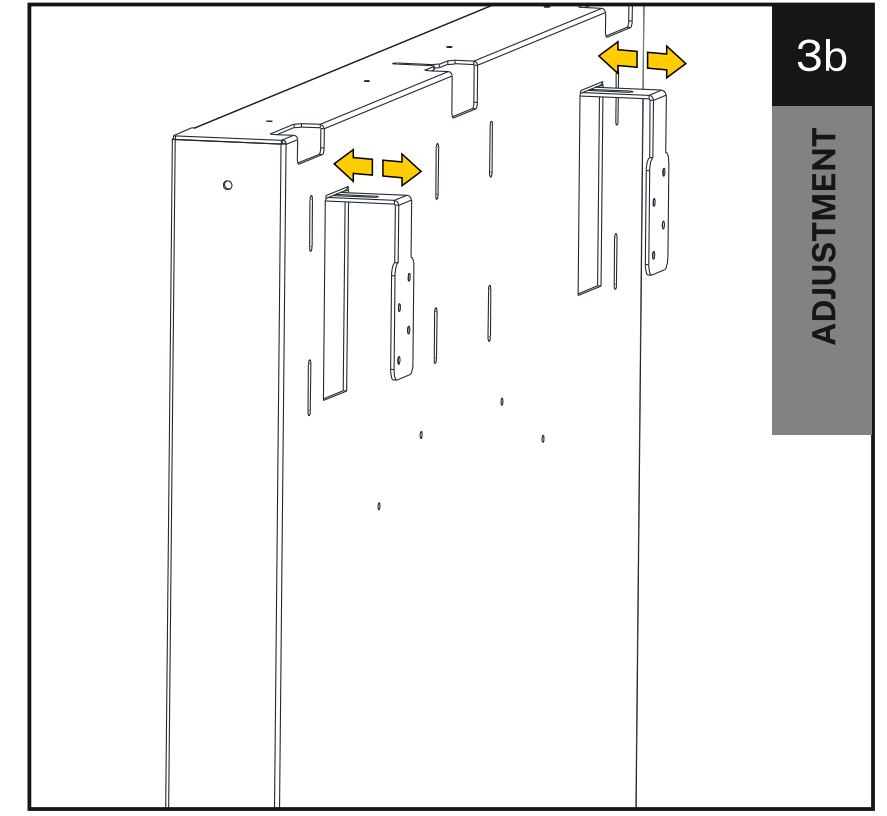
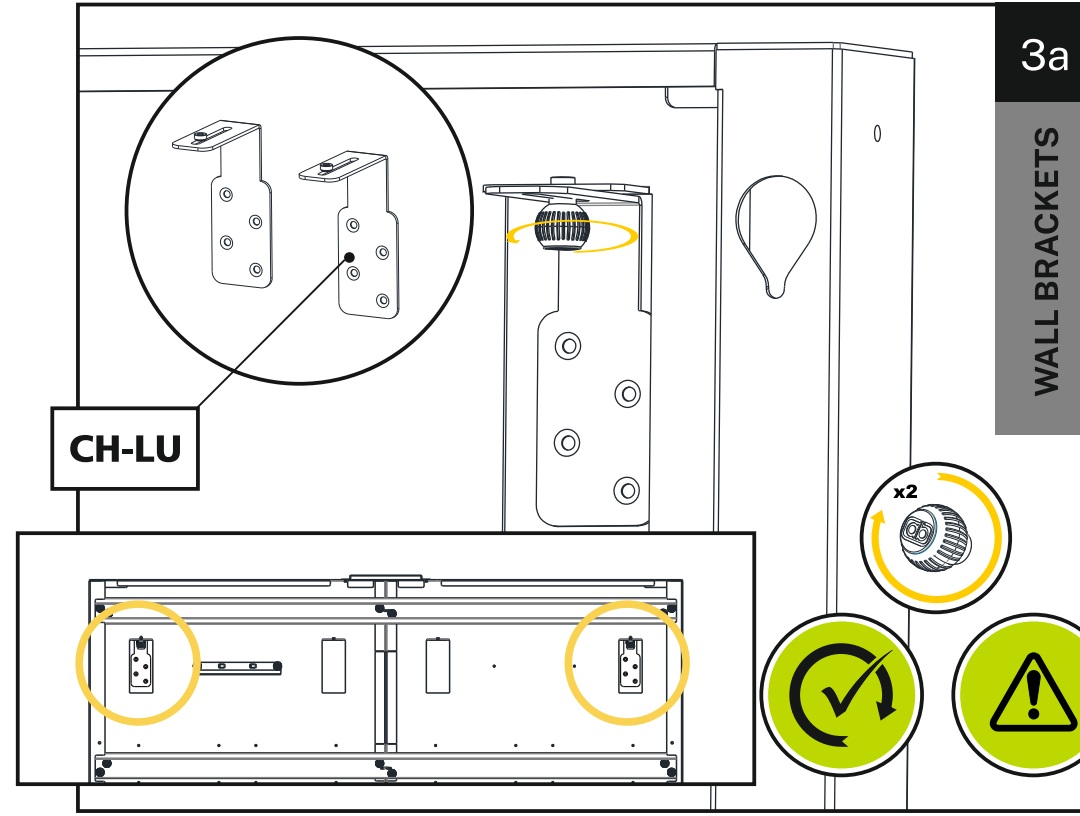
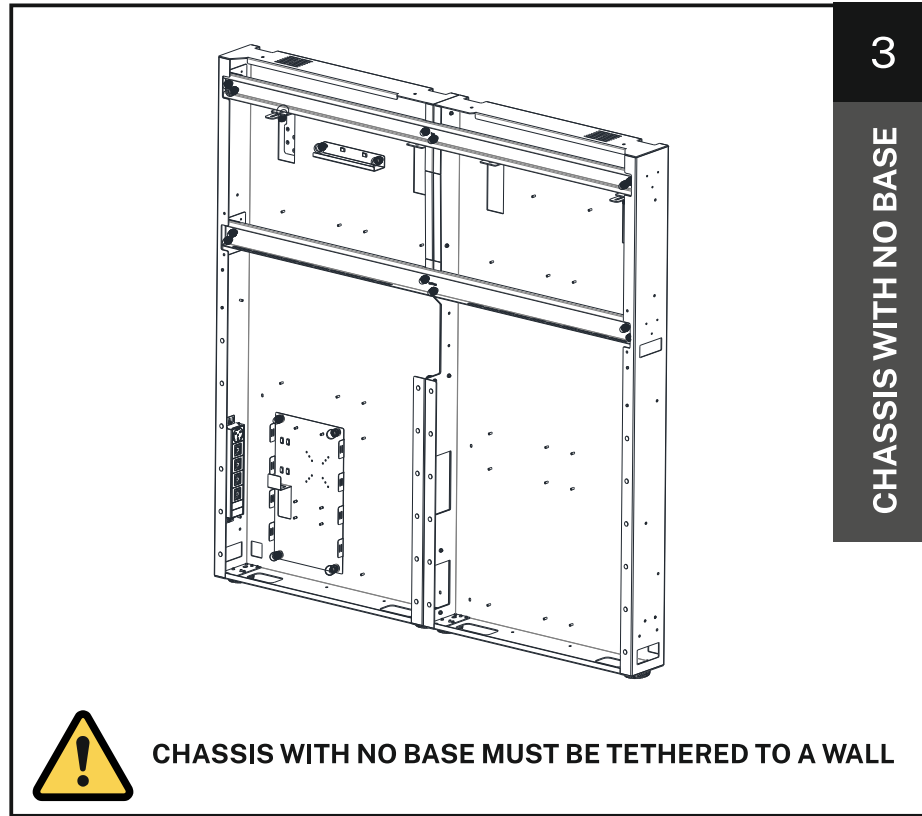


The Mobile base allows the Chassis to be moved as required



# Two75 - Dual 75" Display Chassis – Camera Below.

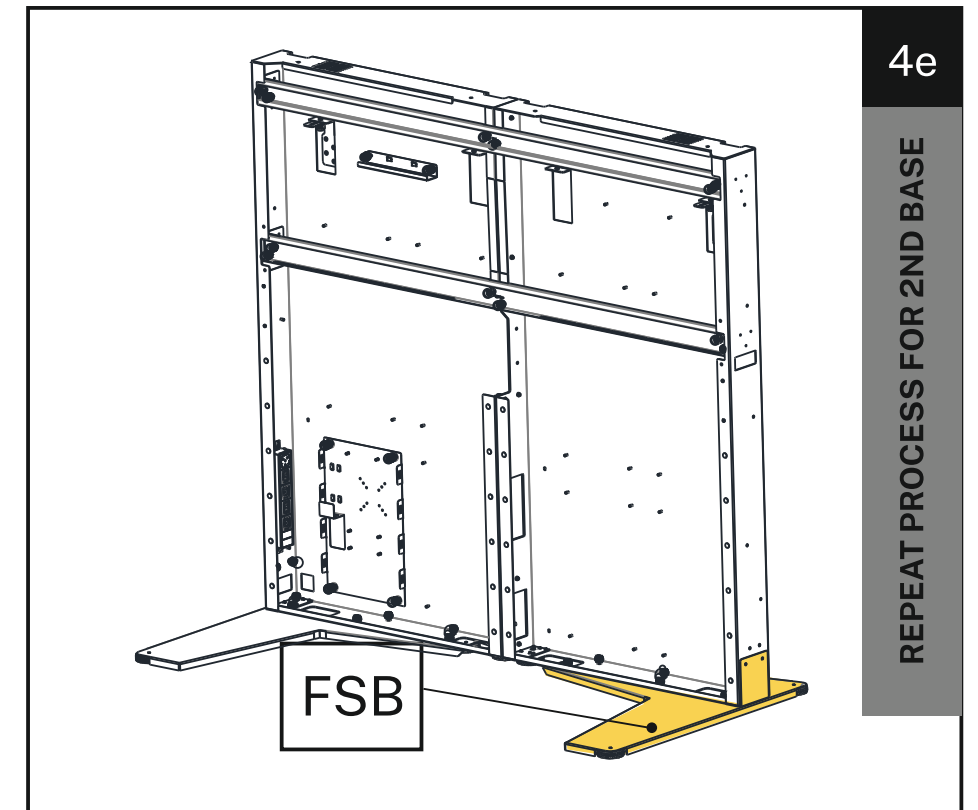
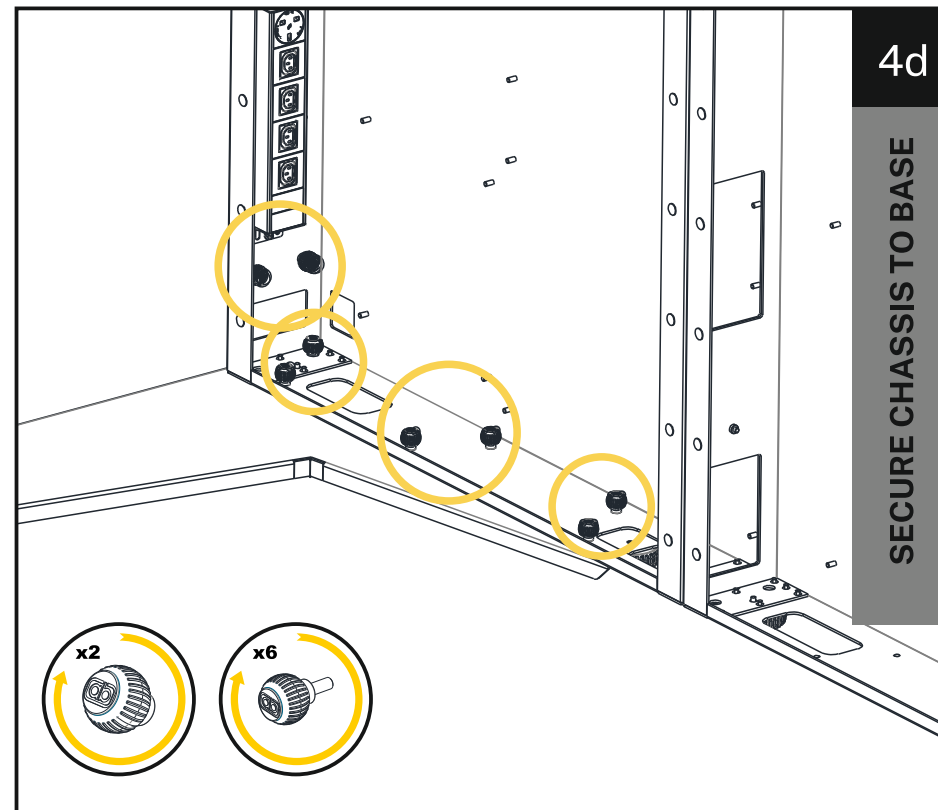
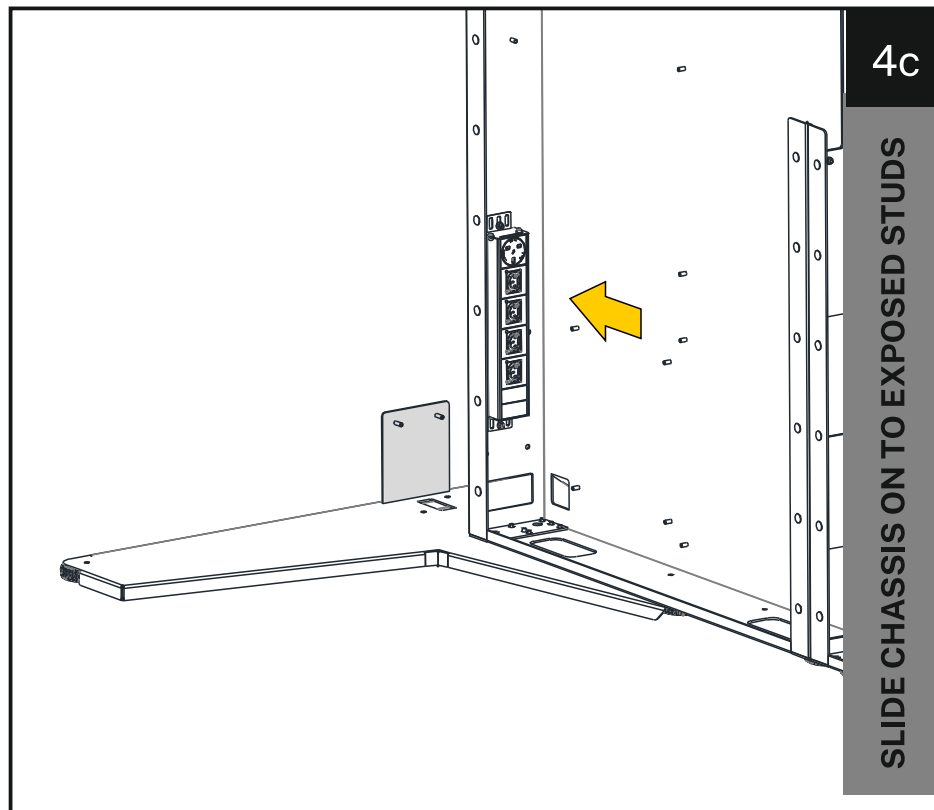
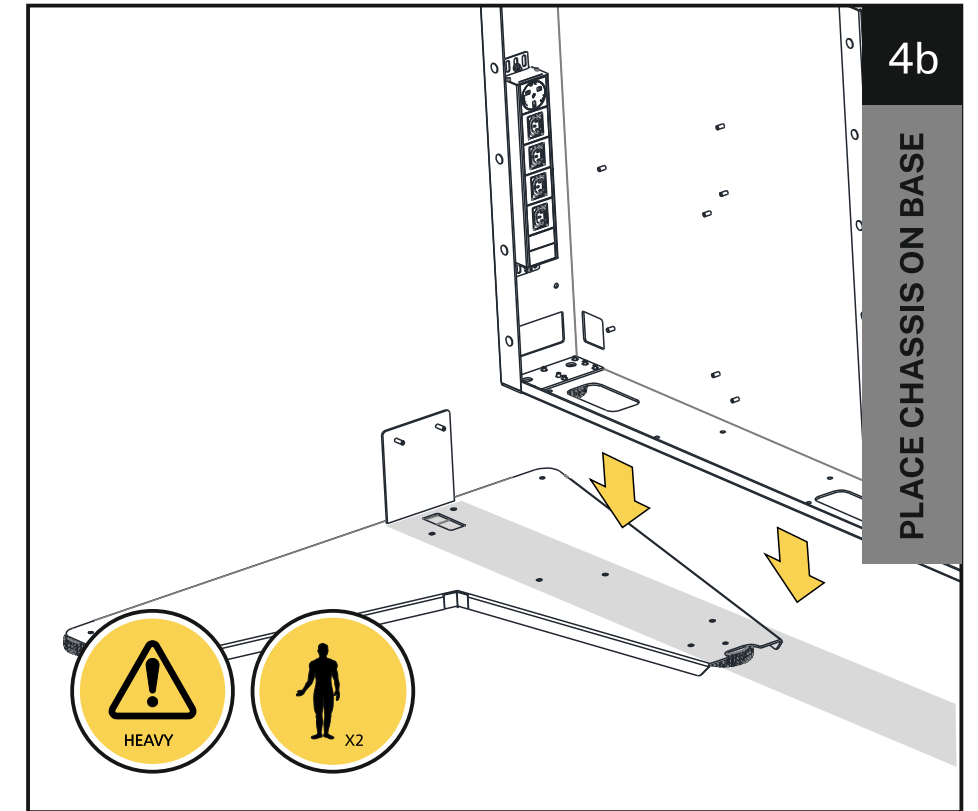
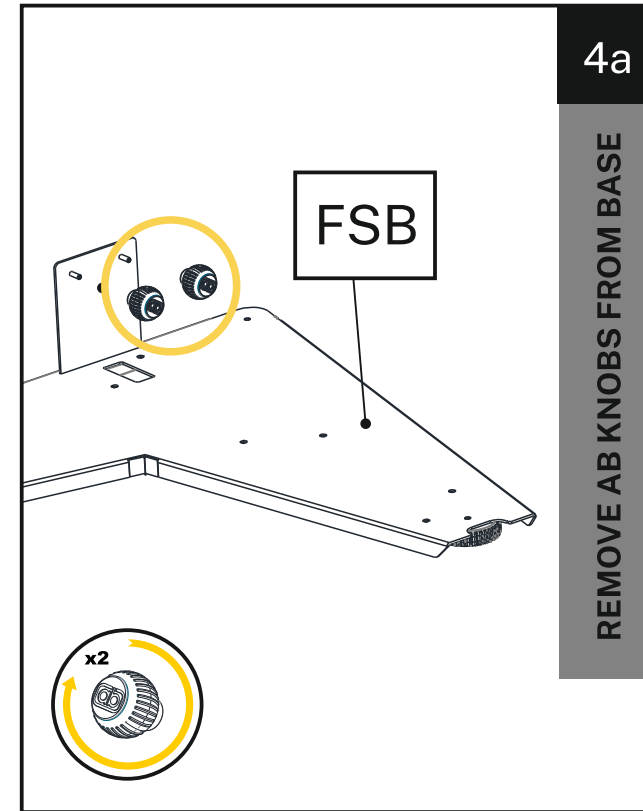
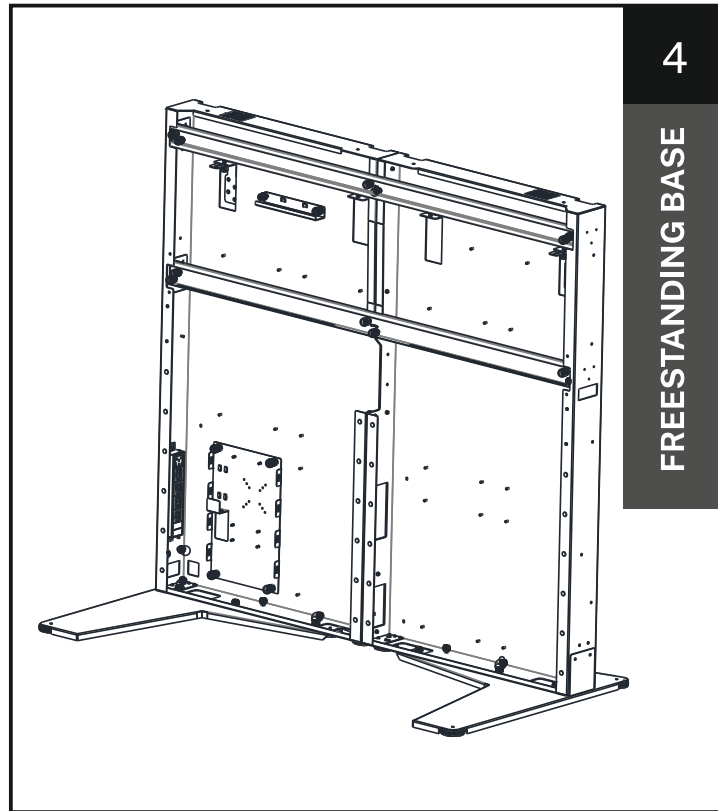
Assembly Guide



# Two75 - Dual 75" Display Chassis - Camera Below.

Assembly Guide

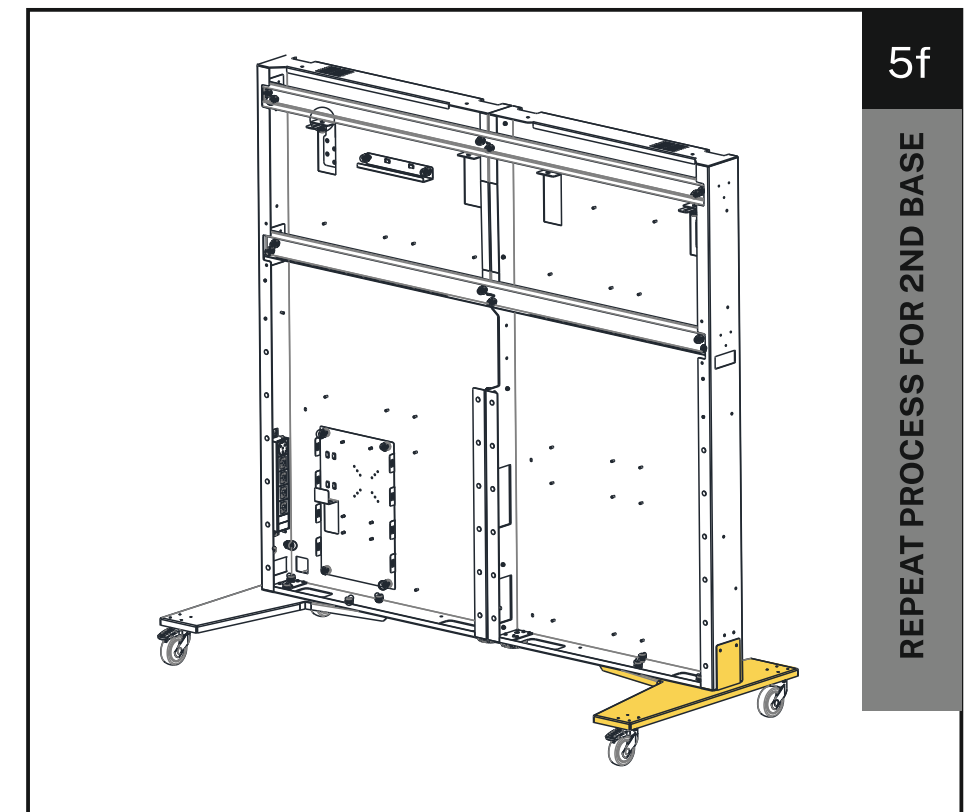
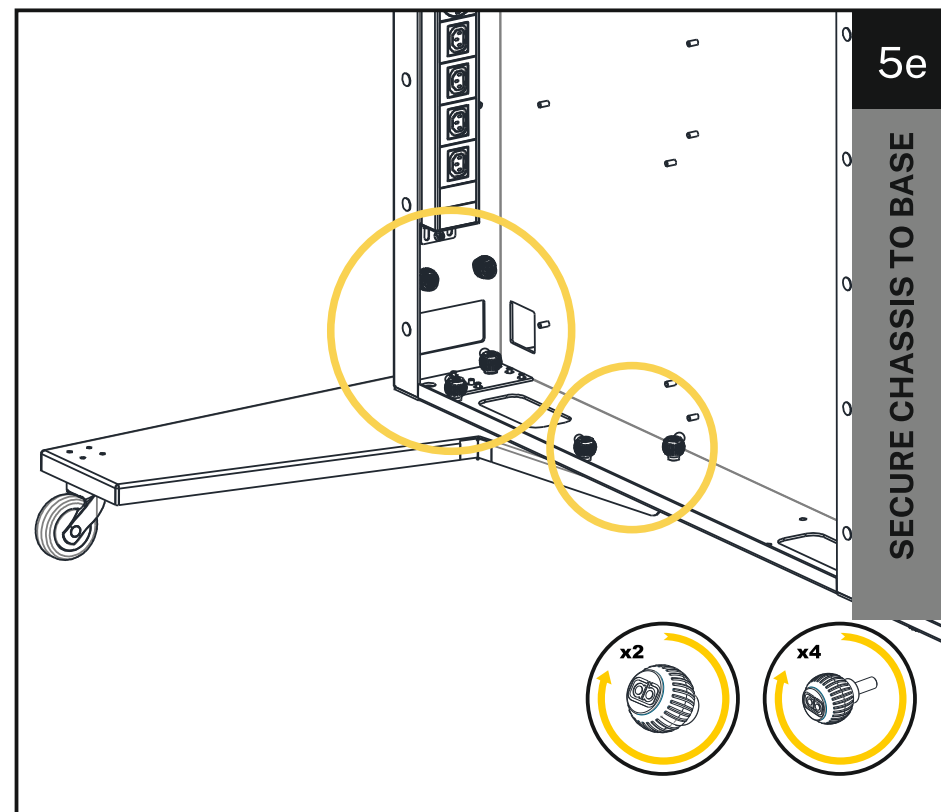
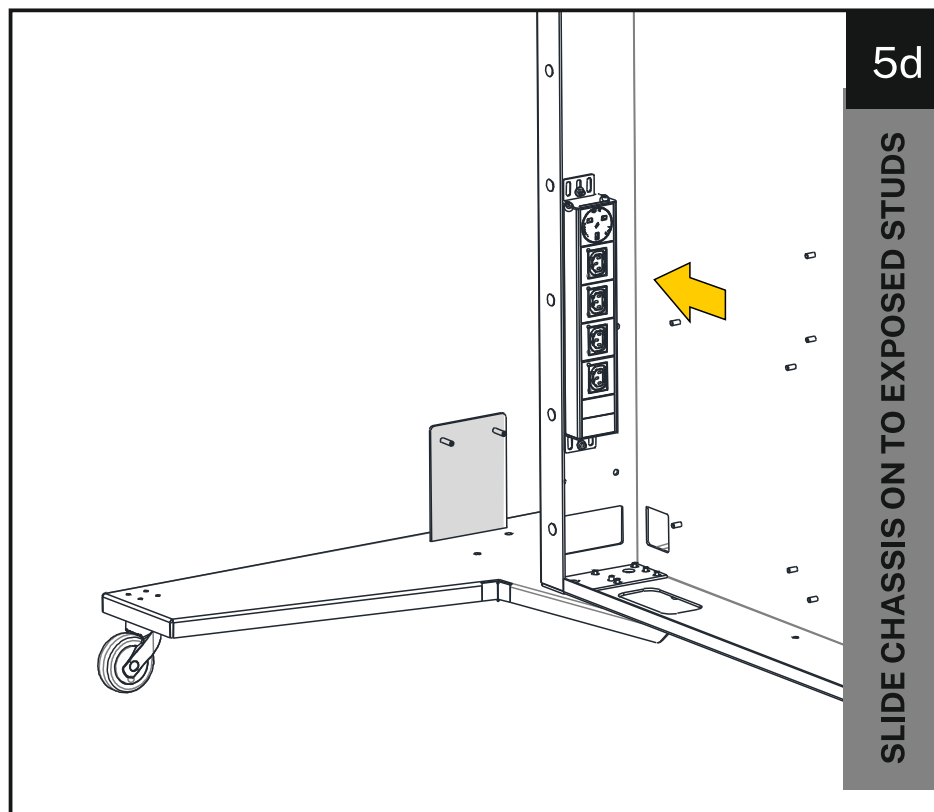
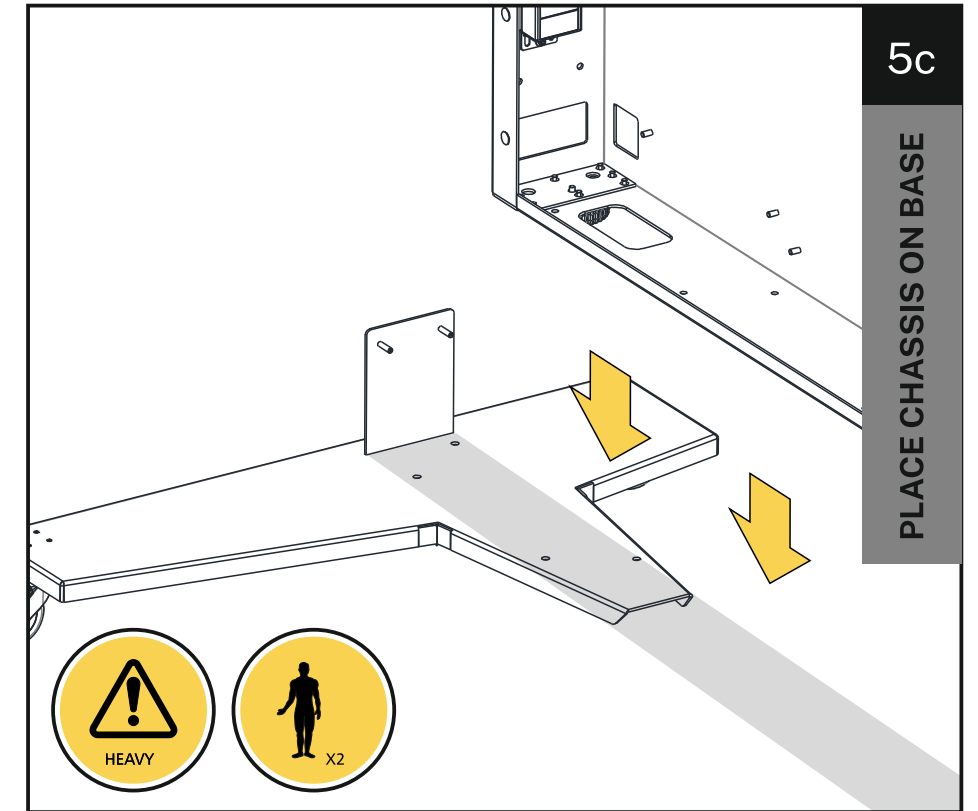
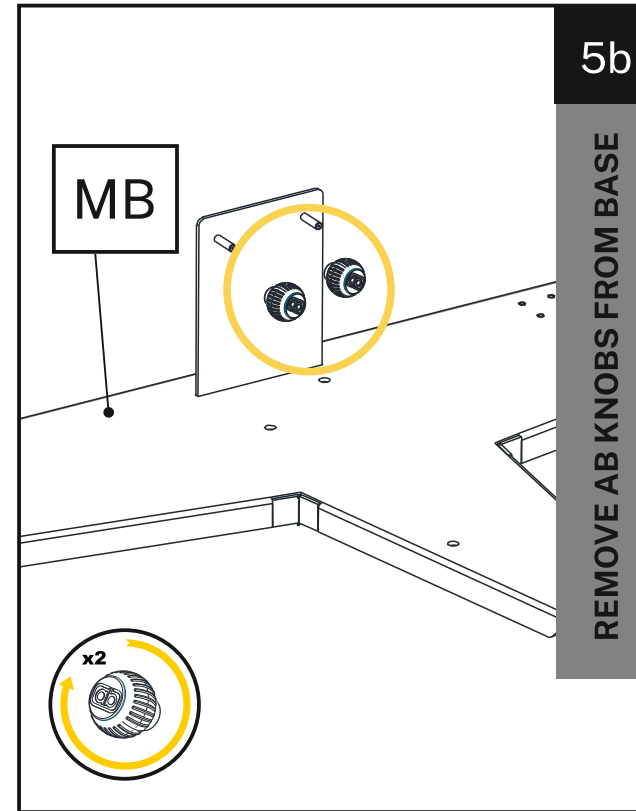
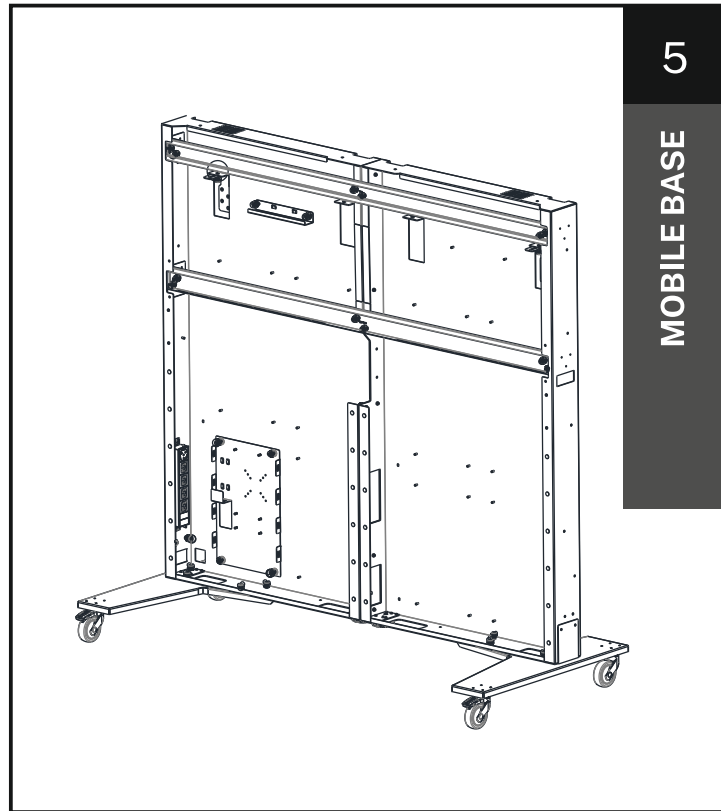
**ab.** Ashton Bentley



# Two75 - Dual 75" Display Chassis - Camera Below.

Assembly Guide

**ab.** Ashton Bentley



## **7. Camera Bracket**

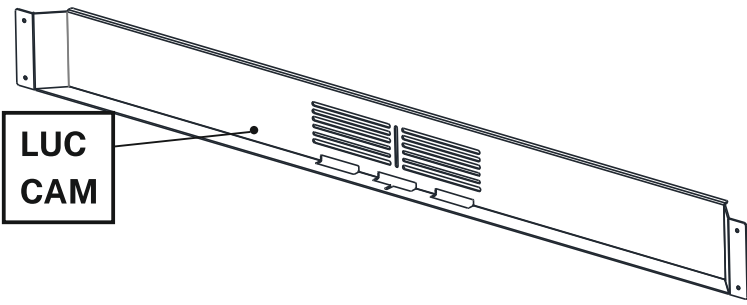


# Two75 - Dual 75" Display Chassis – Camera Below.

Assembly Guide

6

LARGE UNIVERSAL CHASSIS CAMERA TRAY

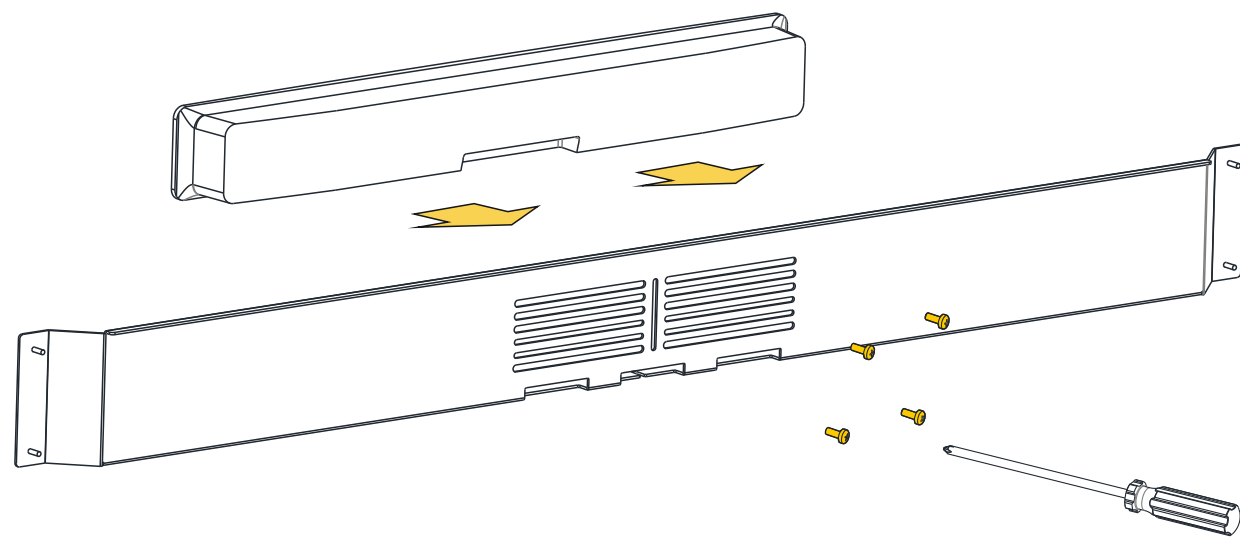


LUC CAM

TO BE PURCHASED SEPARATELY

6a

FIX CAMERA BAR TO TRAY

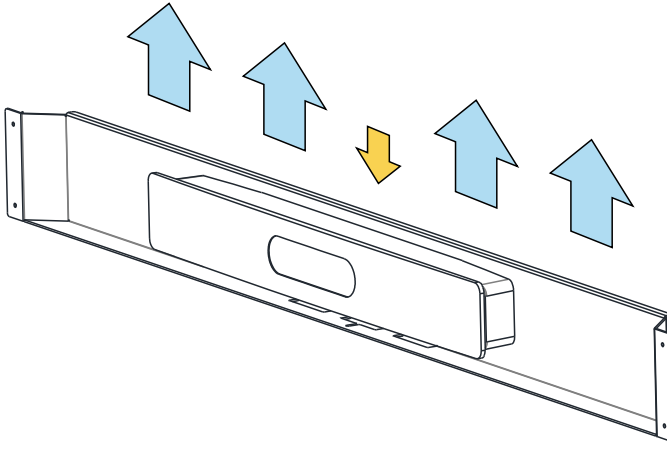


FIXING METHOD DETERMINED BY MAKE/MODEL OF VIDEOBAR/CAMERA. REFER TO USER MANUAL OF 3RD PARTY EQUIPMENT FOR DETAILS AND ANY REQUIREMENT FOR ADDITIONAL FIXINGS

SECURE CABLES TO VIDEOBAR/CAMERA PRIOR TO FIXING TO THE TRAY.

7

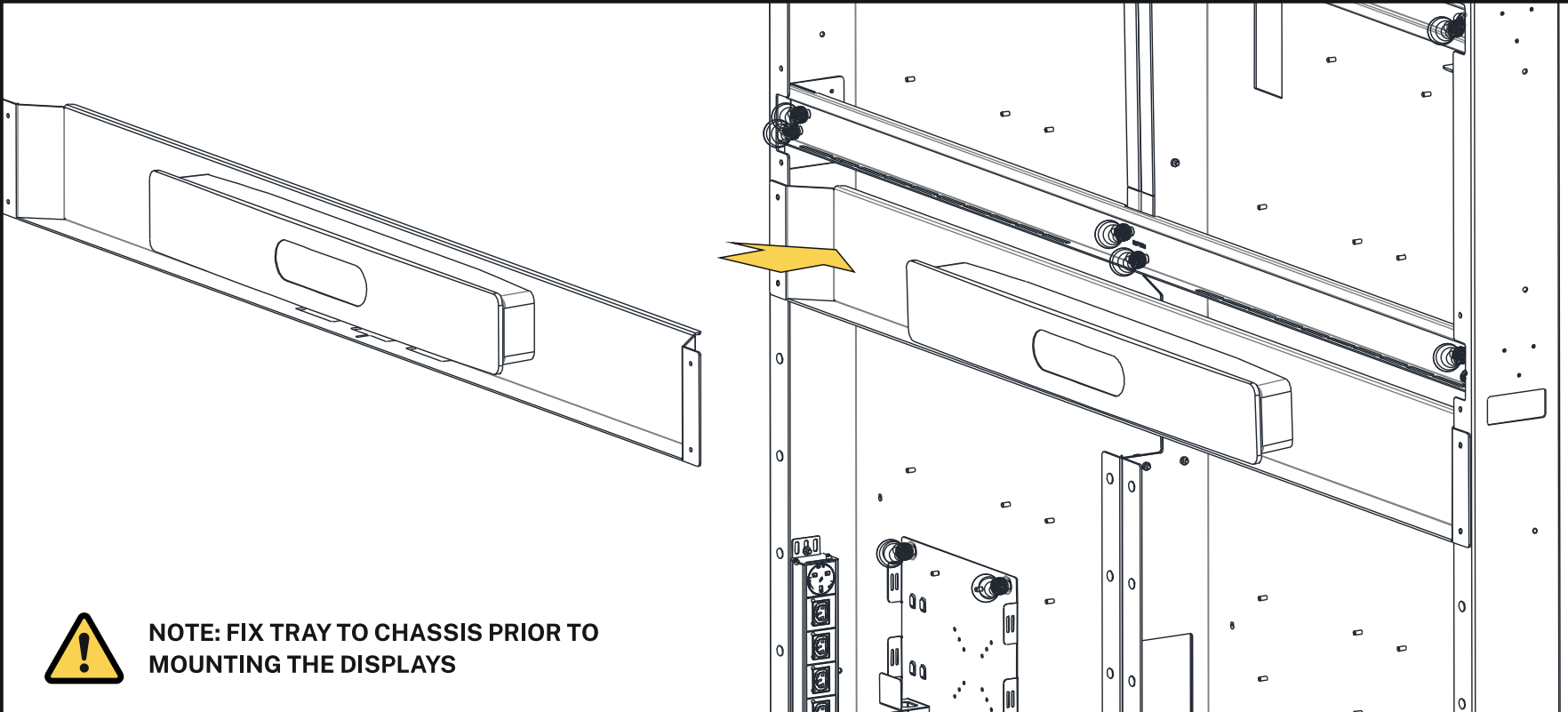
COMPLETED ASSEMBLY



NOTE: CABLE TRAY OPENING TO BE AT THE TOP FOR VENTILATION & CABLE ACCESS

7b

LOCATING CAMERA TRAY



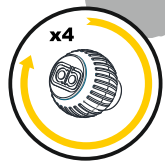
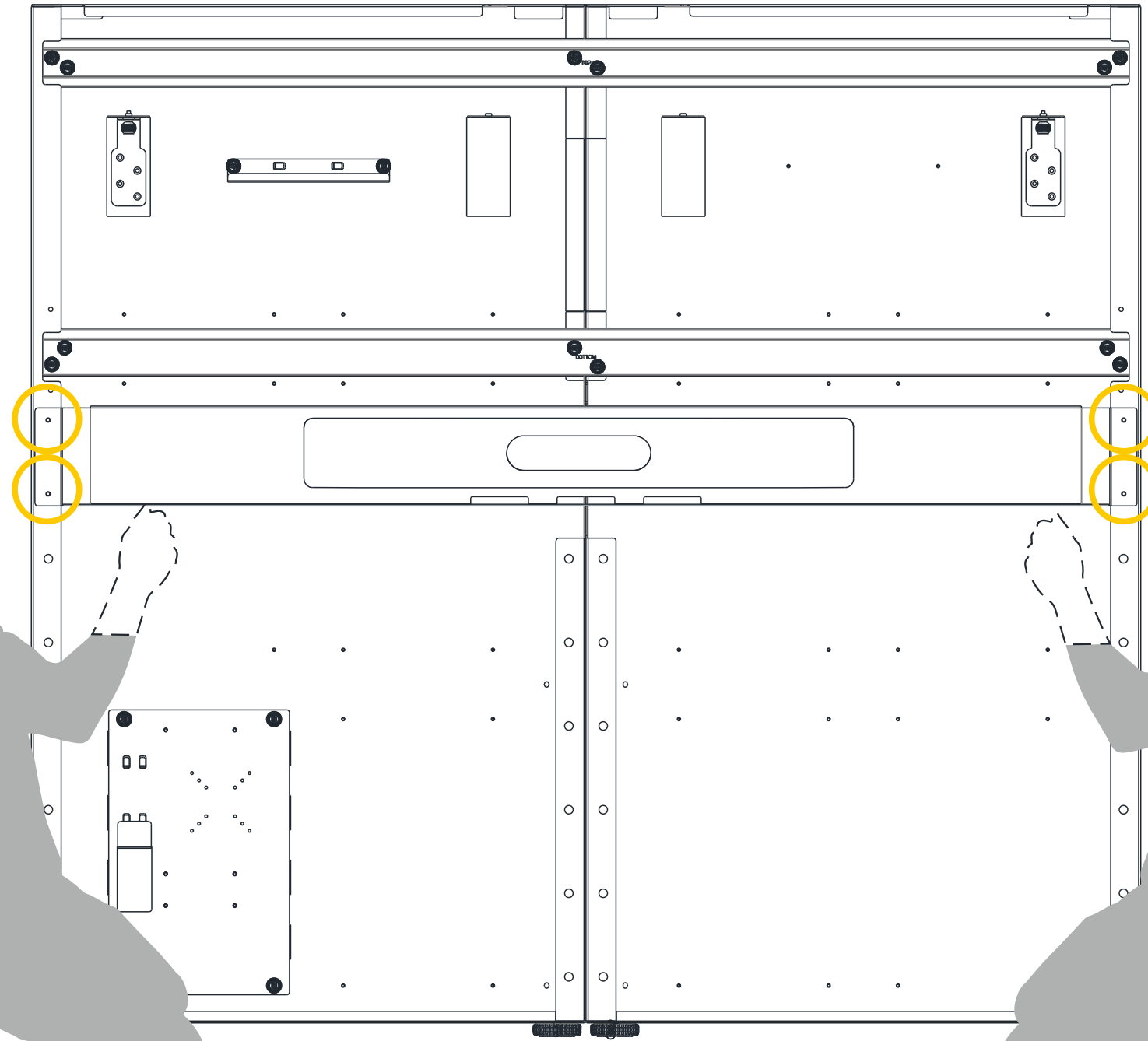
NOTE: FIX TRAY TO CHASSIS PRIOR TO MOUNTING THE DISPLAYS

# Two75 - Dual 75" Display Chassis – Camera Below.

Assembly Guide

7c

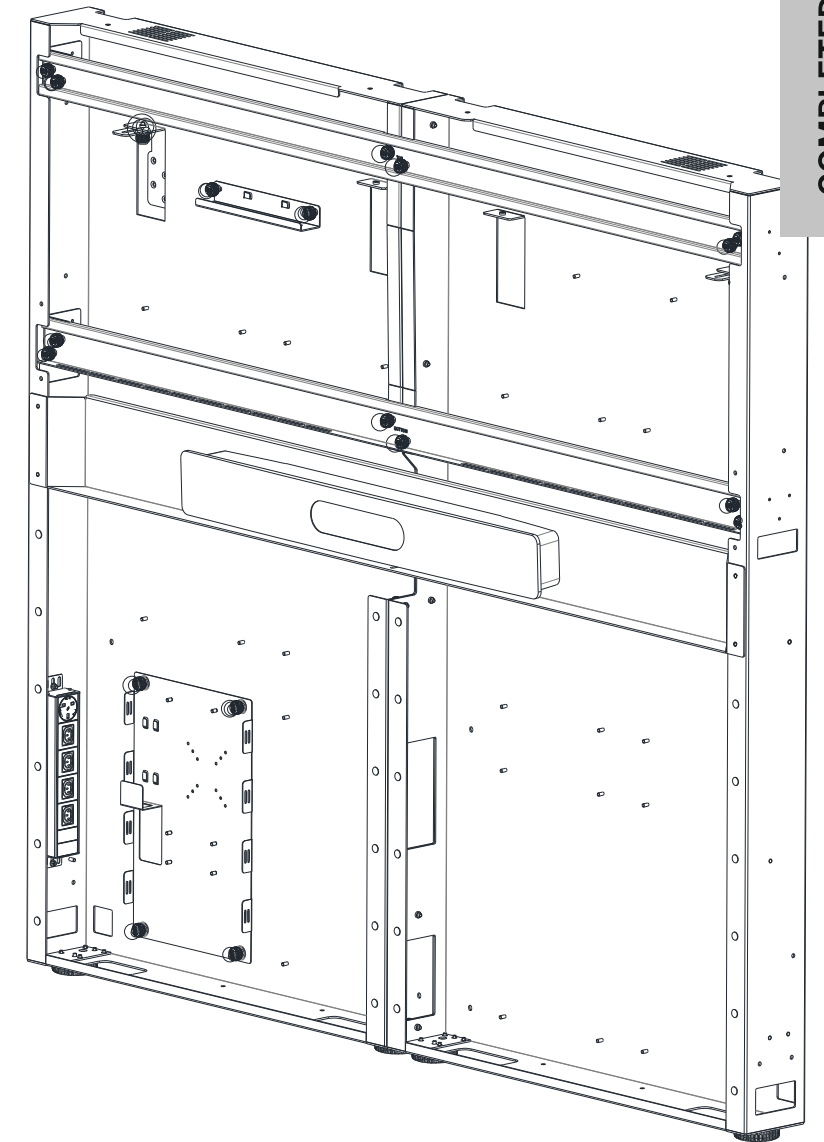
SECURING CAMERA TRAY



AT THIS STAGE OF ASSEMBLY WE RECOMMEND ALL CABLES FOR THE DISPLAYS ARE INSTALLED NOW BEFORE MOUNTING THE DISPLAYS

8

COMPLETED ASSEMBLY



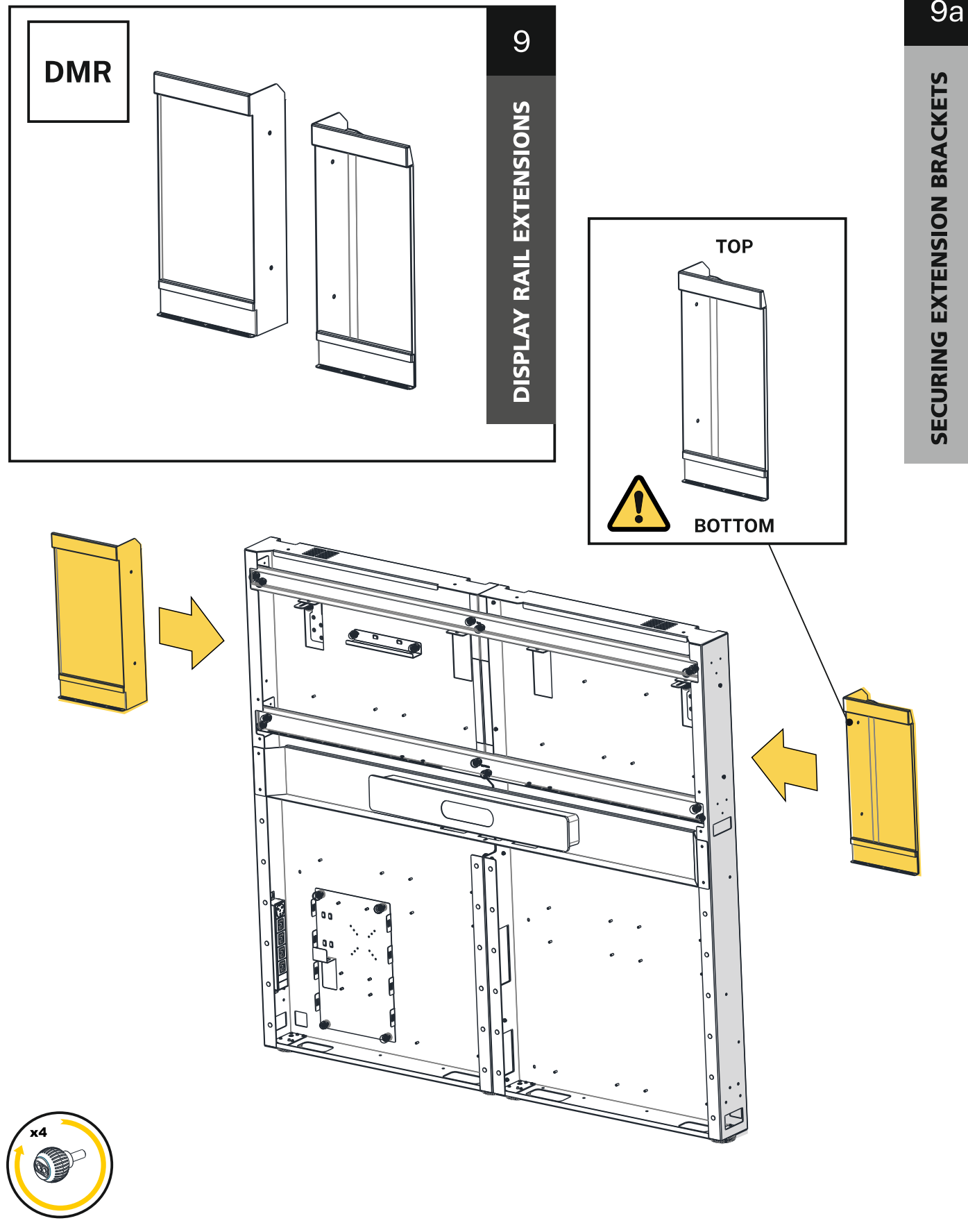
## **8. Mount Displays**

# Two75 - Dual 75" Display Chassis – Camera Below.

Assembly Guide

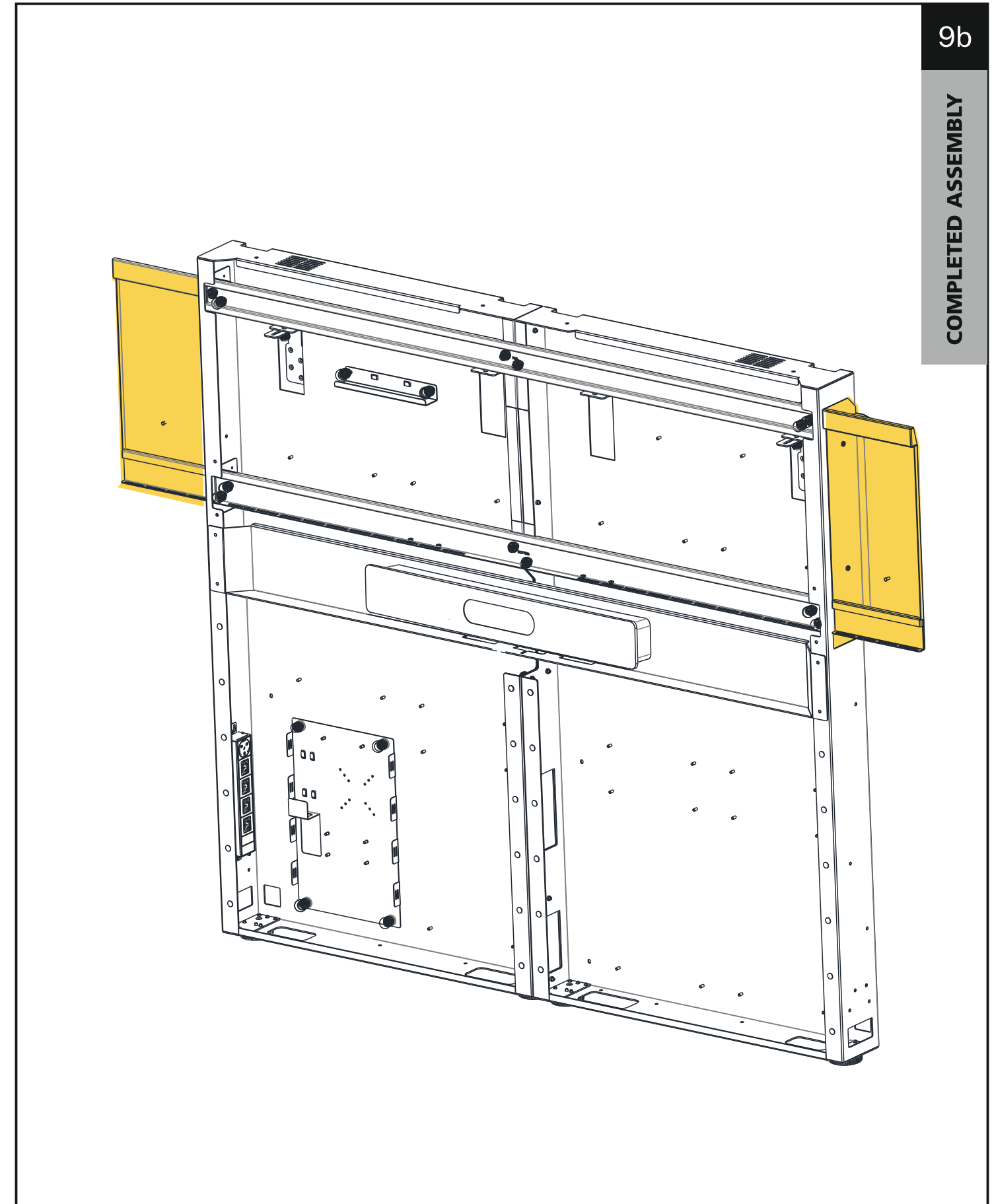
9a

SECURING EXTENSION BRACKETS



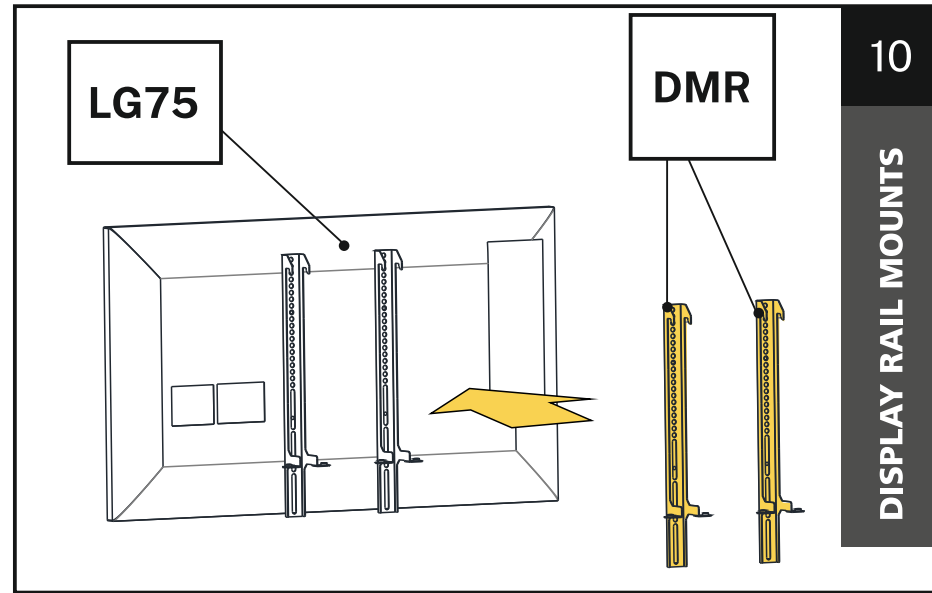
9b

COMPLETED ASSEMBLY



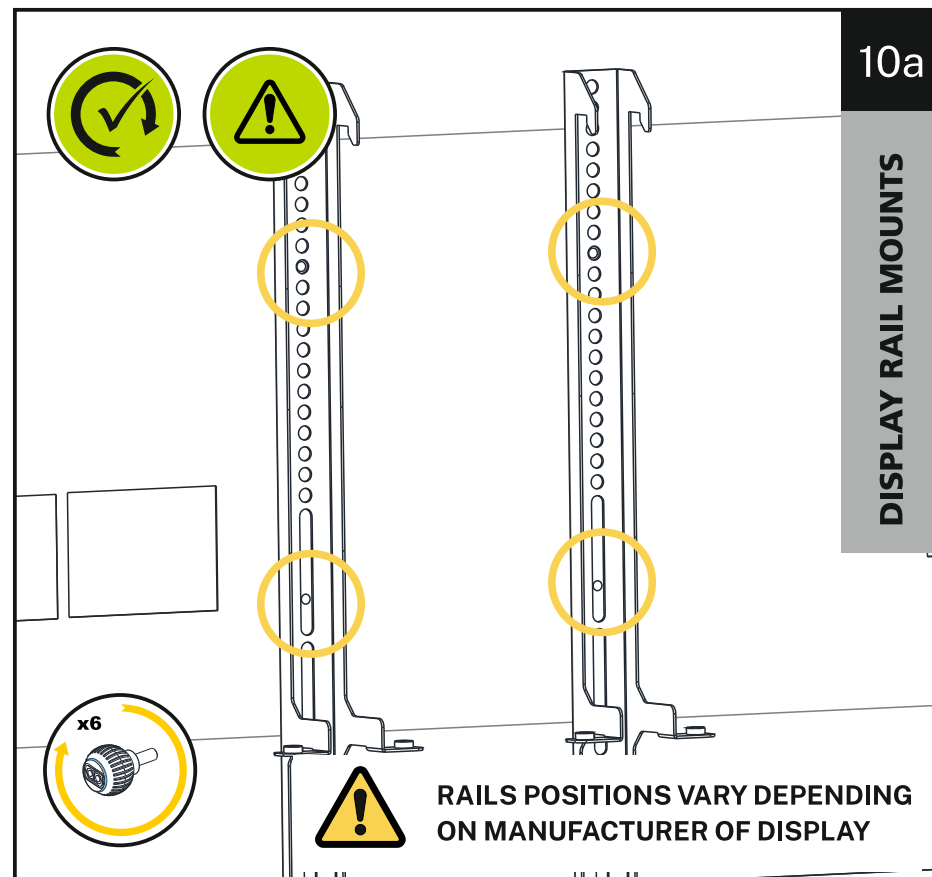
# Two75 - Dual 75" Display Chassis – Camera Below.

Assembly Guide



10

DISPLAY RAIL MOUNTS



10a

DISPLAY RAIL MOUNTS

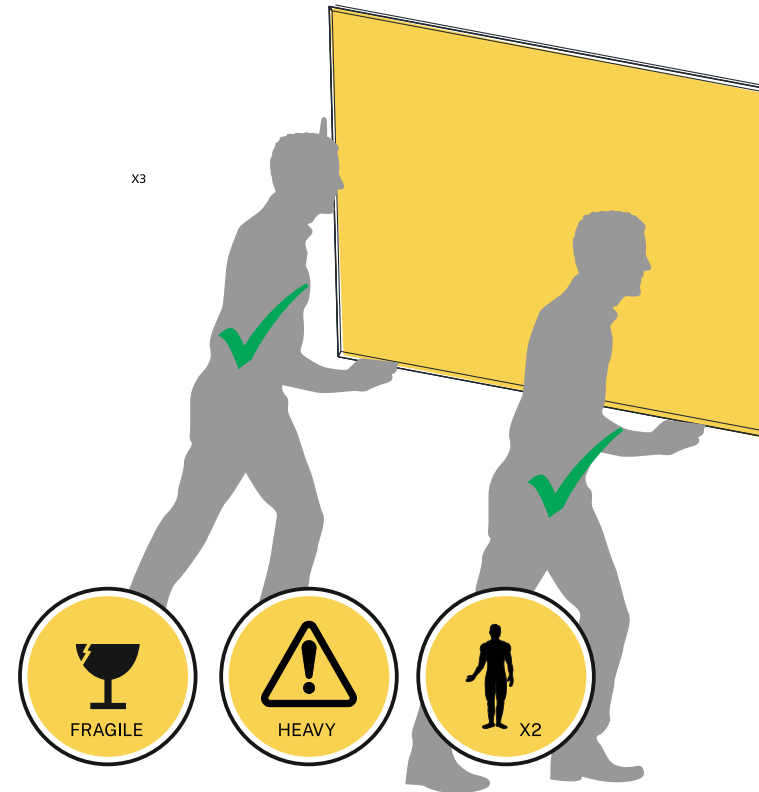
RAILS POSITIONS VARY DEPENDING ON MANUFACTURER OF DISPLAY



SECURE ANY VIDEO INPUT CABLES PRIOR TO HANGING THE DISPLAYS



LIFT DISPLAYS CAREFULLY USING HANDLES IF FITTED.

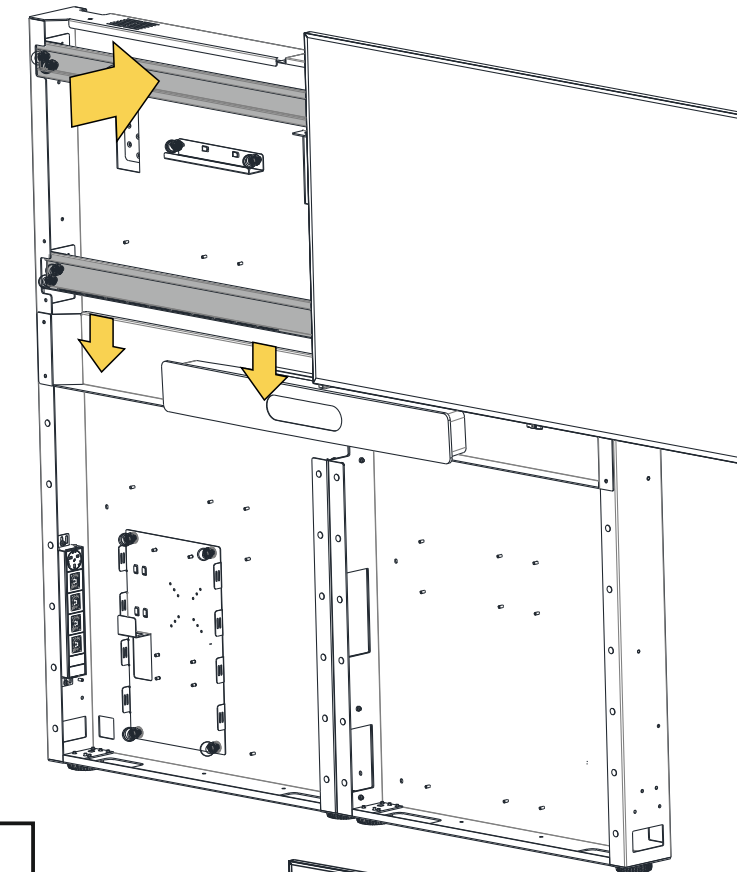
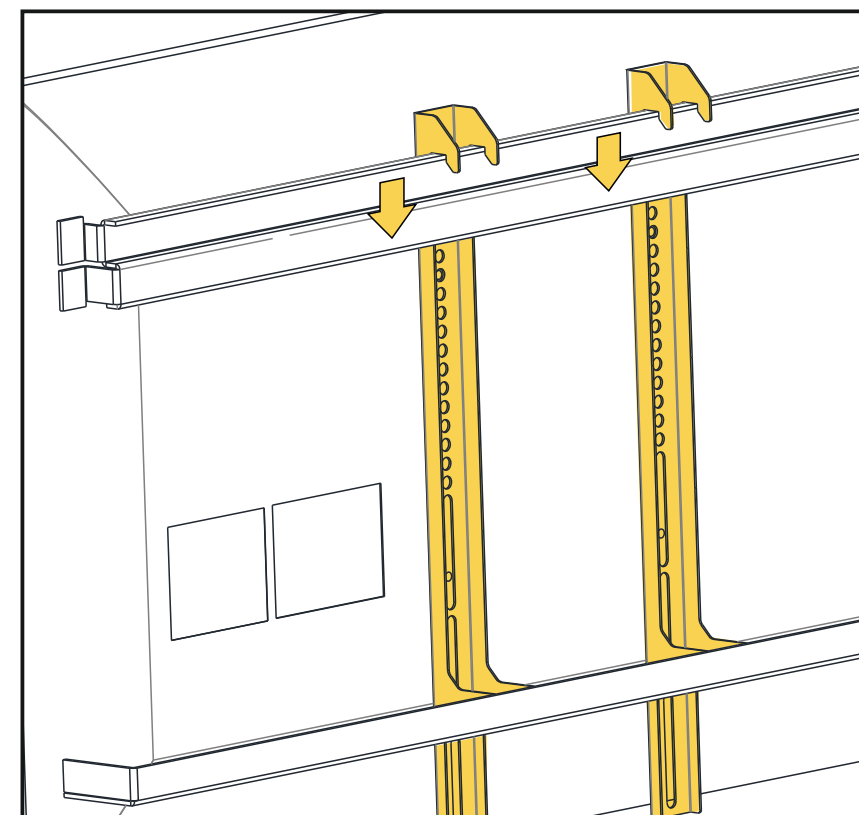


x3

FRAGILE

HEAVY

X2



FRAGILE

10b

HANGING DISPLAYS



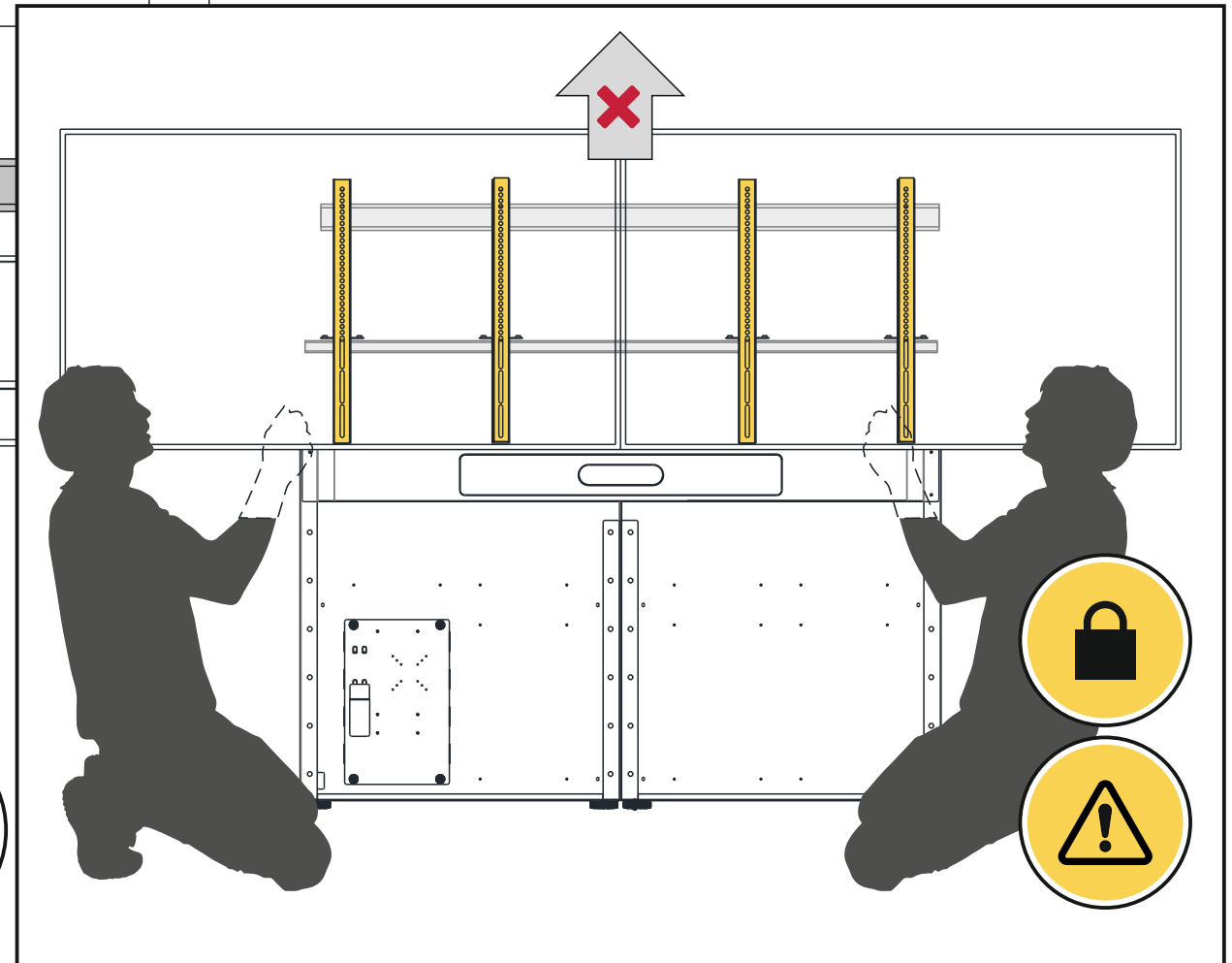
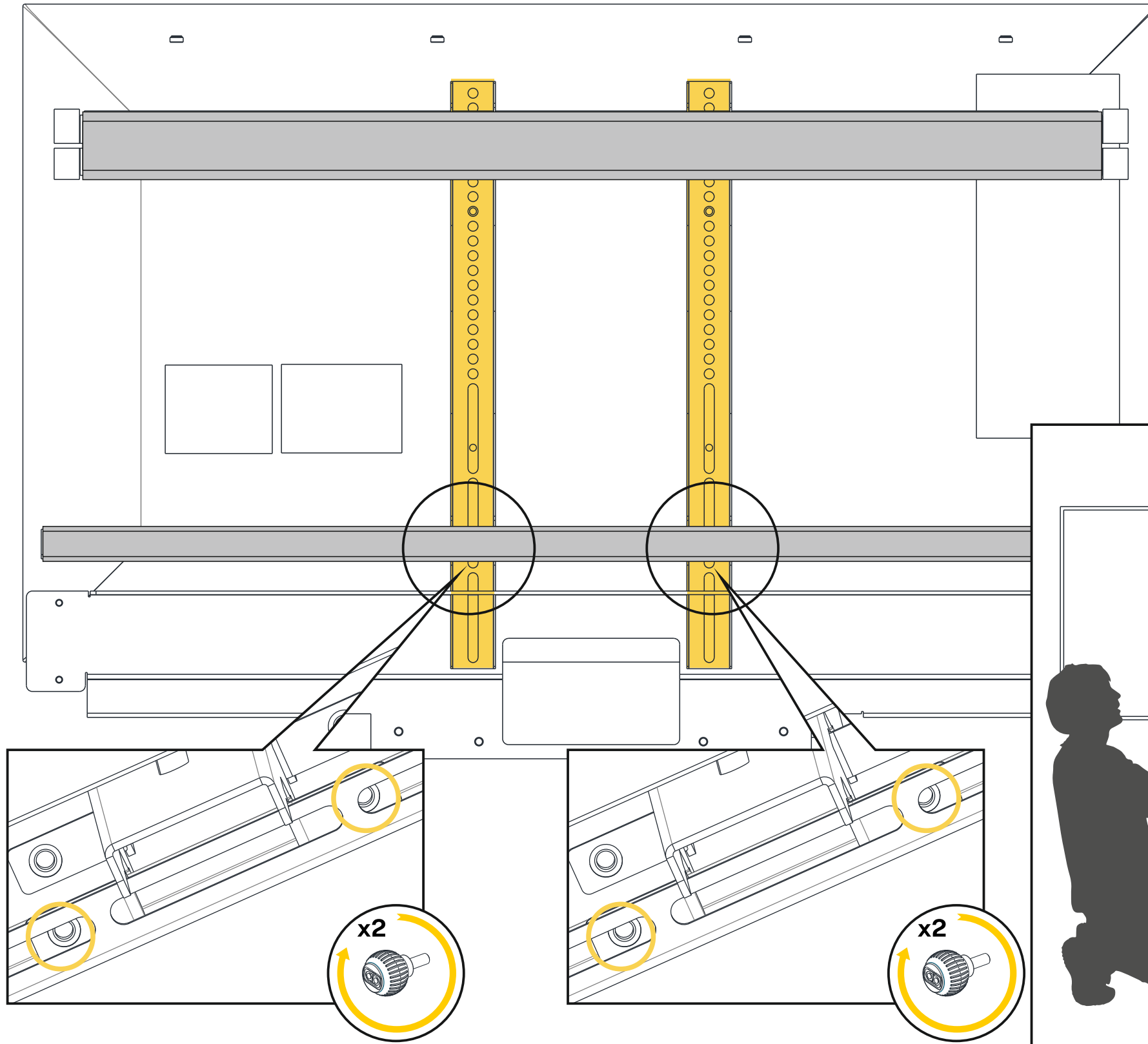
# Two75 - Dual 75" Display Chassis – Camera Below.

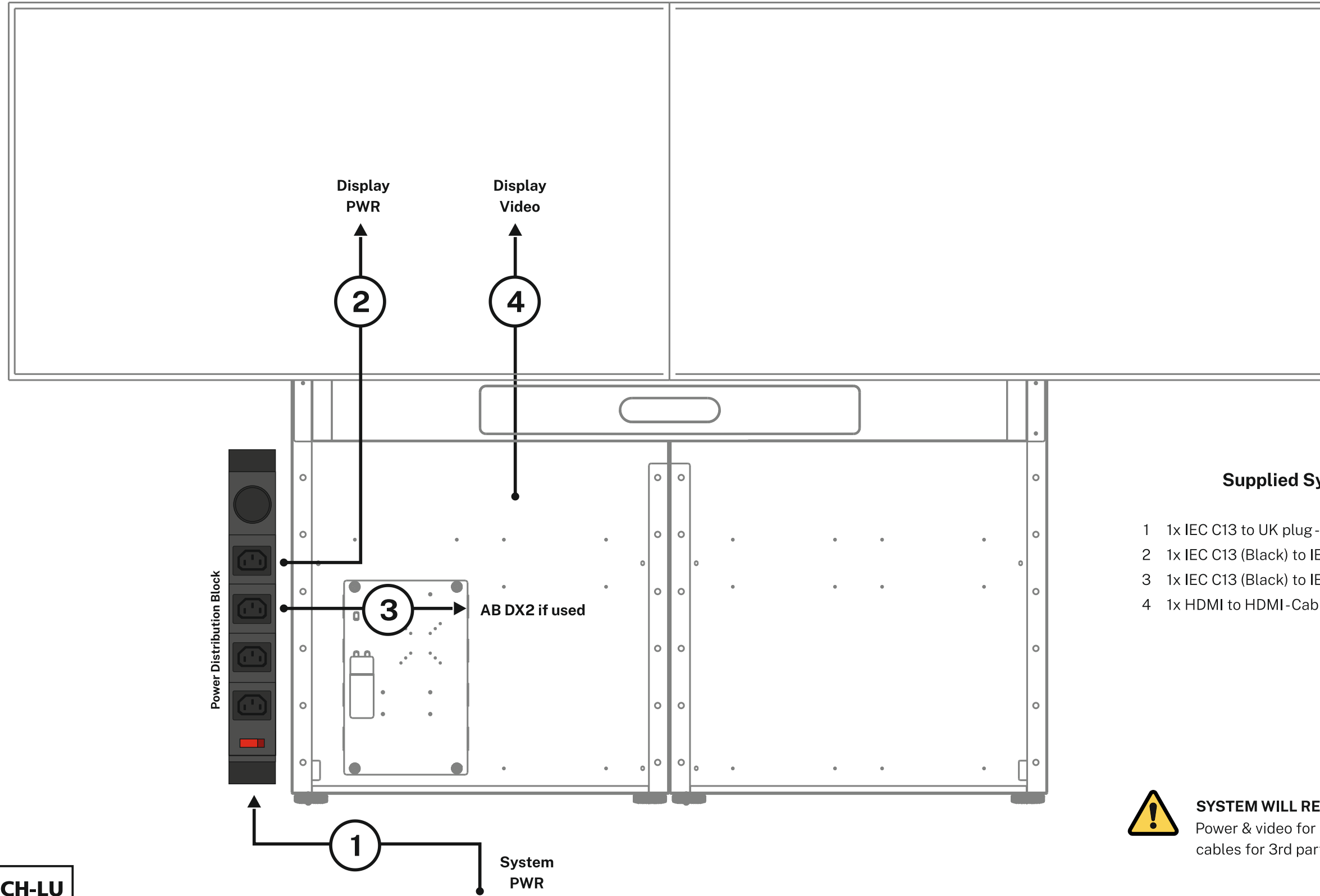
Assembly Guide

TOP OF DISPLAY



SECURING DISPLAYS PREVENTS ACCIDENTAL DAMAGE OR THE DISPLAYS BEING REMOVED.





### Supplied System Cable Schedule

- 1 1x IEC C13 to UK plug -3m -Power Input Cable (115-00069)
- 2 1x IEC C13 (Black) to IEC C14 (Black) -Cable-1.5m (115-00074)
- 3 1x IEC C13 (Black) to IEC C14 (Black) -Cable-0.5m (115-00073)
- 4 1x HDMI to HDMI -Cable-2m -Black (115-00067)



**SYSTEM WILL REQUIRE ADDITIONAL CABLES**  
Power & video for the second display, plus other cables for 3rd party equipment will be required.

CH-LU

# Two75 - Dual 75" Display Chassis – Camera Below.

Assembly Guide

