

RT11

RT11 - Rectangular 11 Seat Table Assembly Guide



RT11 - Rectangular 11 Seat Table.

Assembly Guide



Please read before proceeding.

Before proceeding with assembly, connection, and operation, please ensure that you read this document fully, and any additional documentation that may be included with the product.

Please keep this Assembly Guide for future reference.

We have tried to make this Assembly Guide as simple as possible to follow, however we are always keen to improve. So if you find anything that is not clear or inaccurate, please let us know by sending your suggestions to: support@ashtonbentley.com.

Trademark Information

Ashton Bentley®, and the names and marks associated with Ashton Bentley Group Limited's products, are trademarks and/or service marks of Ashton Bentley Group Limited, and are registered and/or common law marks in the United Kingdom and various other countries. All other trademarks are property of their respective owners.

Patent Information

The accompanying product is protected by one or more UK, EU, US, and foreign patents and/or pending patent applications held by Ashton Bentley Technology Limited.

No part of this documentation may be reproduced or transmitted in any form or by any means, electronic or mechanical, for any purpose, without the express written permission of Ashton Bentley Group Limited. Under the law, reproducing includes translating into another language or format. As between the parties, Ashton Bentley Group Limited retains title to and ownership of all proprietary rights with respect to the software contained within its products.

Any software is protected by copyright laws and international treaty provision. Therefore, the software must be treated like any other copyrighted material (e.g., a book or sound recording).

Every effort has been made to ensure that the information in this manual is accurate. Ashton Bentley Group Limited is not responsible for printing or clerical errors. Information in this document is subject to change without notice.

www.ashtonbentley.com

23 Schooner Court, Crossways Business Park, Dartford, DA2 6NW, United Kingdom.

© 2023 Ashton Bentley Group Limited, All rights reserved.

1. Important Safety Information

RT11 - Rectangular 11 Seat Table.

Assembly Guide



Important safety information.

The following information and precautions should always be followed to reduce the risk of damage, fire, electric shock or injury to people. If in any doubt about installation, operation or maintenance please contact your vendor or Ashton Bentley.

- Follow all warnings and instructions in this document and marked on the equipment.
- Allow plenty of space in the construction area.
- Never operate the system outdoors or in very humid conditions, or allow ingress of any liquid.
- Always use suitable cable management or install under a raised floor to avoid trip hazards.
- Do not block or cover any ventilation vents in the products.

Displays, Chassis and Tables.

- As some parts are large and heavy, we recommend two people assemble.

Electrical.

If the incoming mains electrical feed is unstable or prone to transient input voltage spikes more than 1KV, we recommend the use of a surge protector connected to the power input cable.

Pay close attention to the product when it is turned on. If any of the following are noticed, then do not use the product until everything is back to a fully safe state:

- Power cables, plugs, power supplies/adapters, extension cords, surge protectors that are cracked, broken, or damaged.
- Signs of overheating, smoke, sparks, or fire.
- Signs of liquid ingress or an object has fallen onto the electronic elements of product, the power cable, or power supply/adaptor.

Note: If you notice these conditions with a product that is not supplied by Ashton Bentley, disconnect from the Ashton Bentley product, and stop using that product until you can contact the product manufacturer for further instructions, or until you get a suitable replacement.

Never wrap a power cable around a power supply/adaptor or other object. Always route power cables so that they will not be walked on, tripped over, or pinched by objects.

Do not use any power supply/adaptor that shows corrosion at the ac input pins or shows signs of overheating (such as deformed plastic).

The power cable and supply/adaptor provided with this product are intended to be used with this product only. Do not use them with any other products. The use of 3rd party power supplies/adaptors will invalidate the warranty.

Do not use your system, or disconnect any cables or perform installation, maintenance, or reconfiguration of this product during an electrical storm.

2. Product Components

RT11 - Rectangular 11 Seat Table.

Assembly Guide

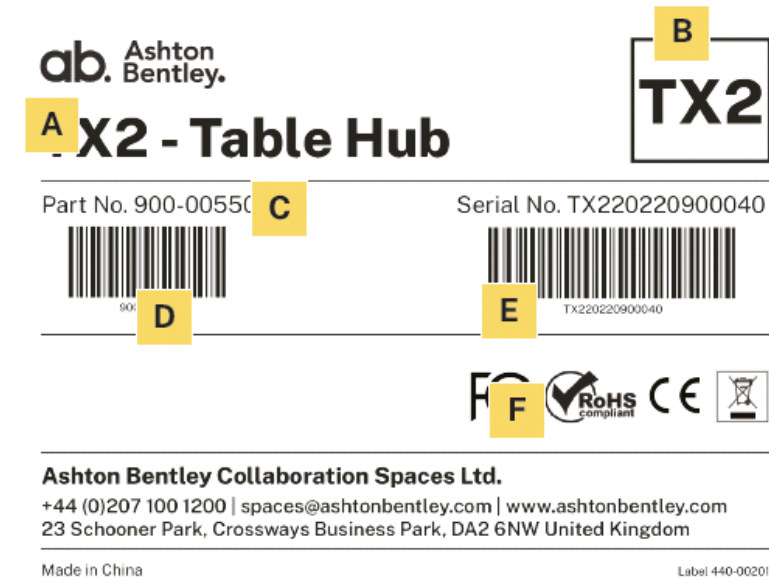
Product Components.

The product is supplied in one or more boxes. Please ensure you have all boxes as listed below.

Please inform your vendor immediately if any boxes are damaged, or contents missing.

Each box will have a label attached that identifies what it contains, plus some additional information. Some labels have more details than others depending on contents.

A sample label looks like this:



- A: Product Description
- B: Carton ID
- C: Part Number
- D: Part Number Barcode
- E: Serial Number
- F: Compliance & Conformity

3. How to use this Assembly Guide

RT11 - Rectangular 11 Seat Table.

Assembly Guide

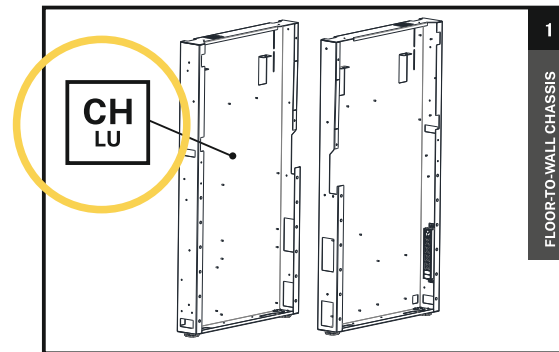
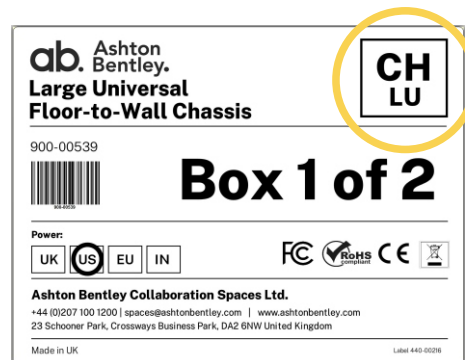
How to use this Assembly Guide.

The following pages have a number of instruction panels detailing each step of assembly. Please follow them in the sequence shown.

There are some symbols and conventions used that are worth noting:

Carton ID

Each component can be located in the packing box marked with associated Carton ID, for example:



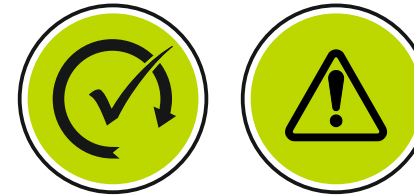
Recommended number of personnel

Some items are highlighted as large and heavy so we recommend a minimum number of personnel. For example:



Tightening of AB Knobs

All supplied AB Knobs are designed to be fully screwed up and tightened by hand. Some require particular attention and must be fully tightened and checked for a secure fixing. These are indicated as follows:



Important instruction

Where the correct assembly is very important and must be checked carefully, the following symbols are used to show the correct procedure:

Incorrect

Correct

4. Pre-Installation

RT11 - Rectangular 11 Seat Table.

Assembly Guide

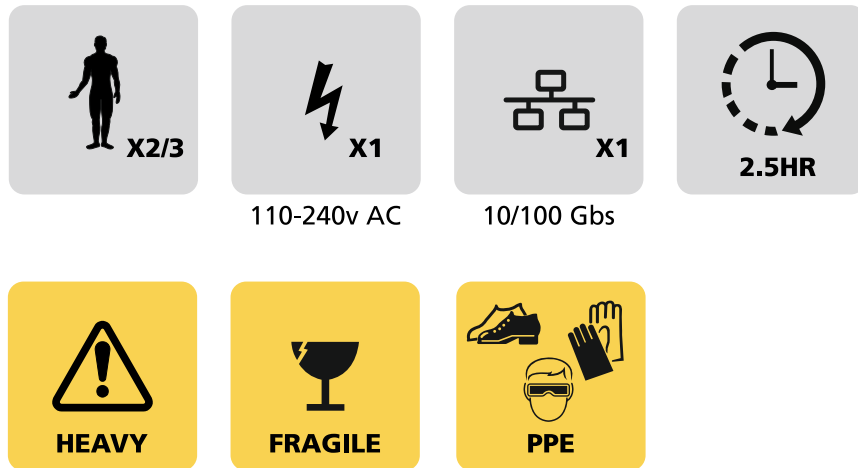
Pre-Installation.

Make sure the location for the system is clear, and any unwanted packaging materials removed to ensure a safe and clean environment.

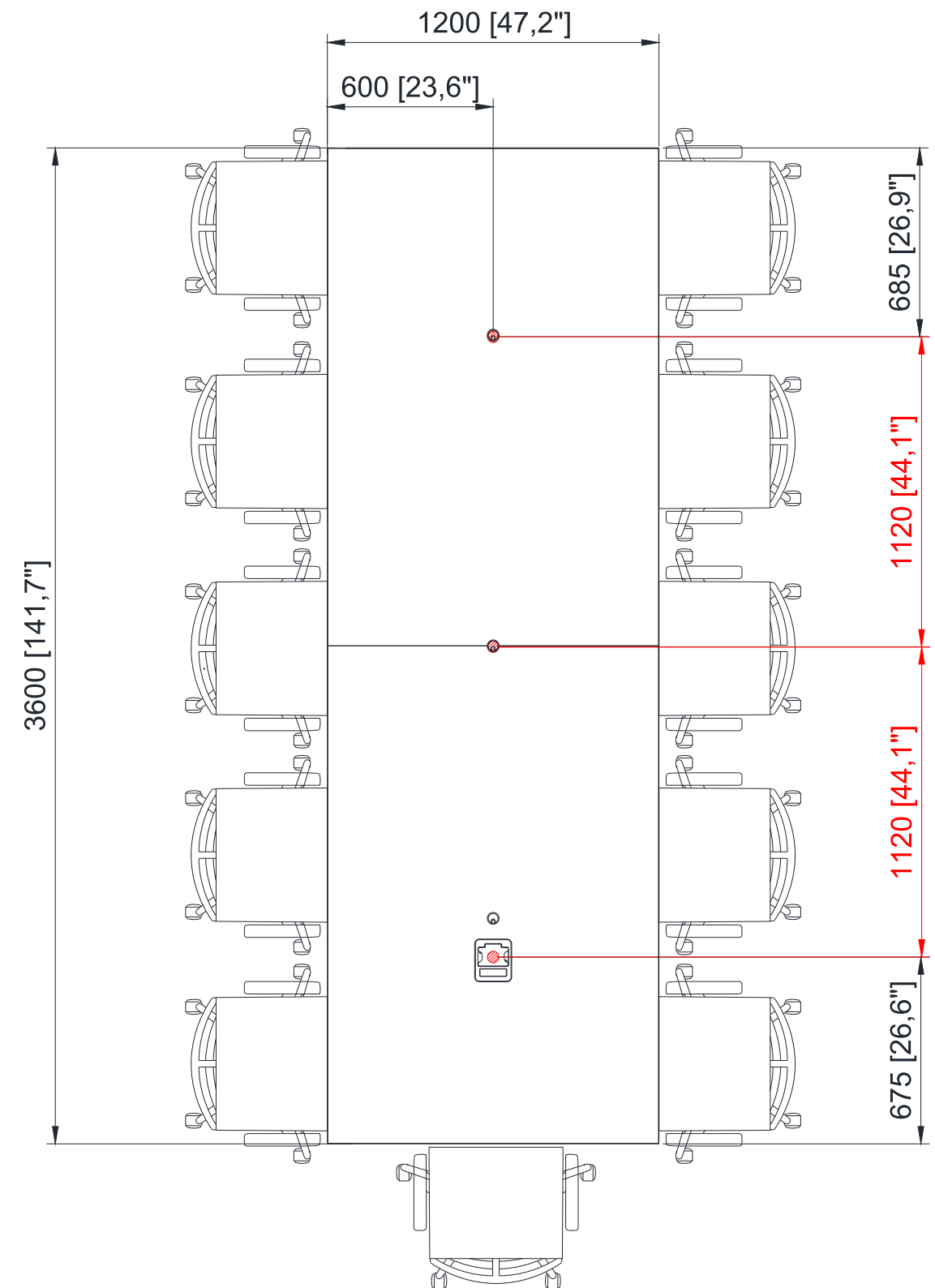
If tethering the system to a wall, with the supplied Ashton Bentley Wall Brackets, ensure the wall is solid and stable and that suitable fixings (not provided) are used.

It is recommended that a minimum of two people assemble the system as some items are Large and heavy.

During assembly/installation please wear appropriate PPE. If using power tools ensure that all manufacturers safety protocols and safe working practices are followed.



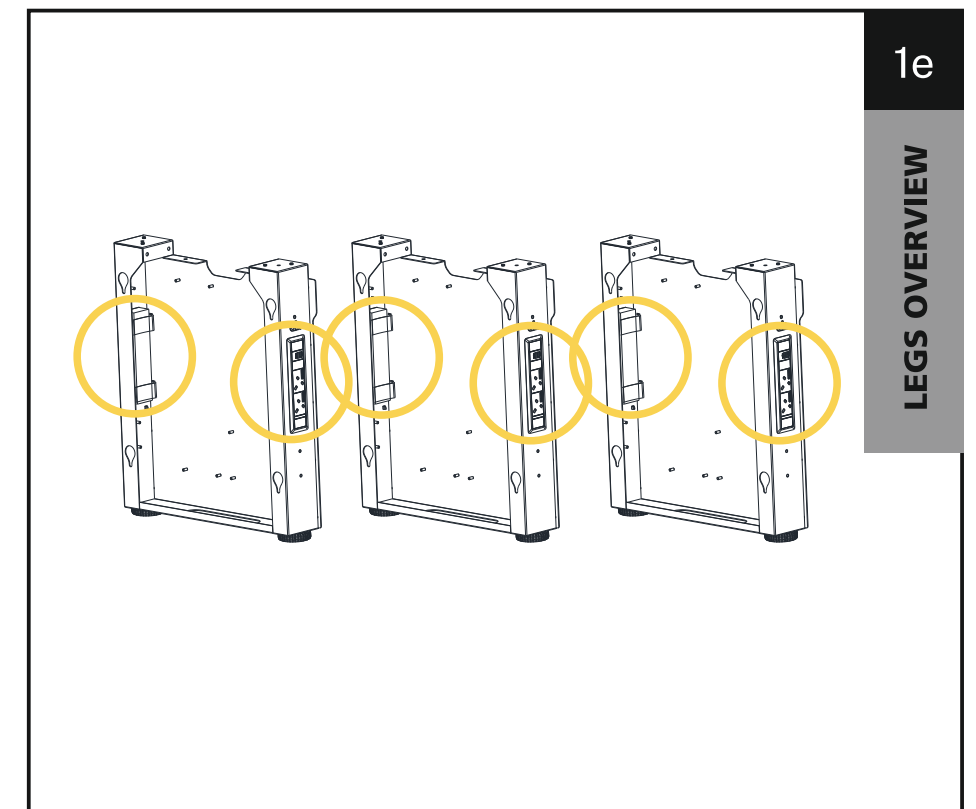
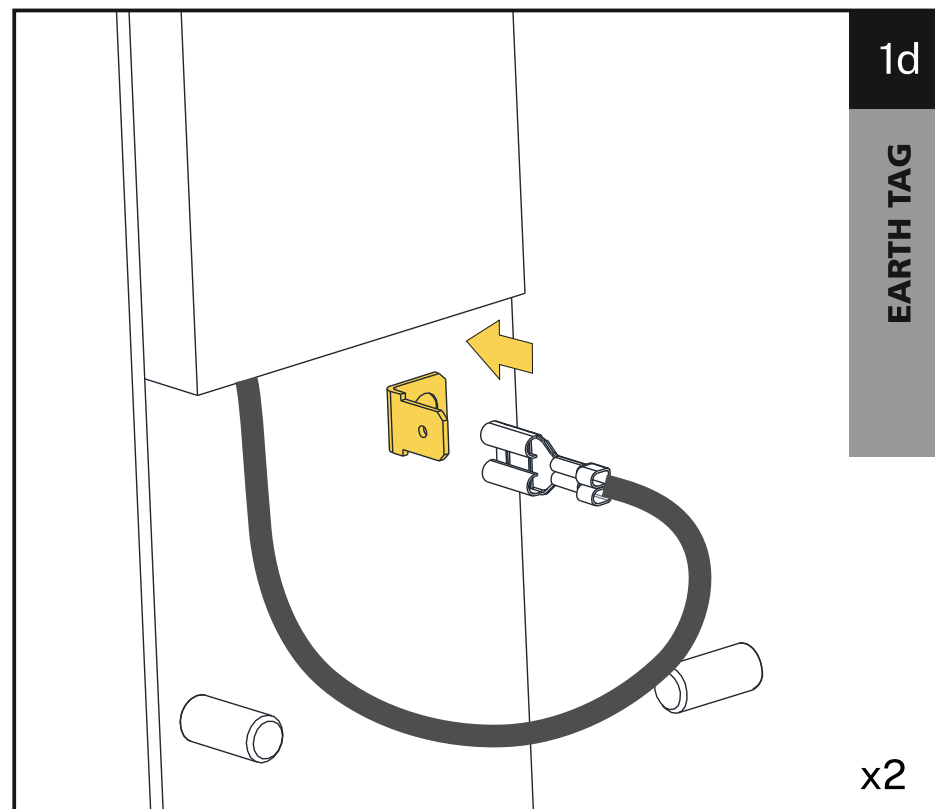
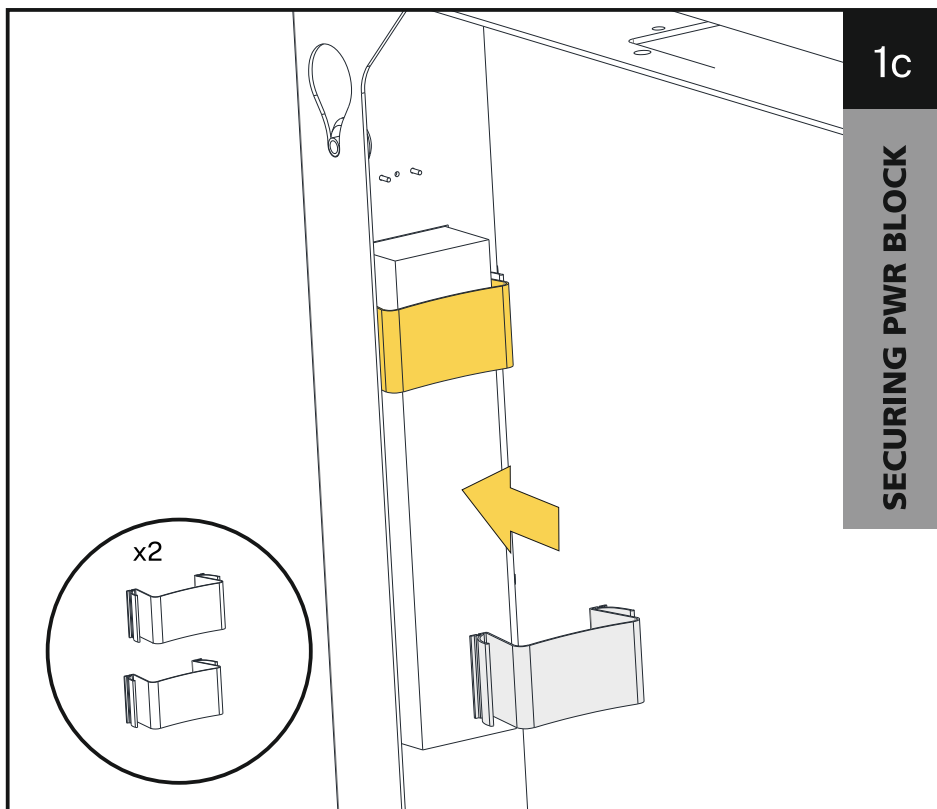
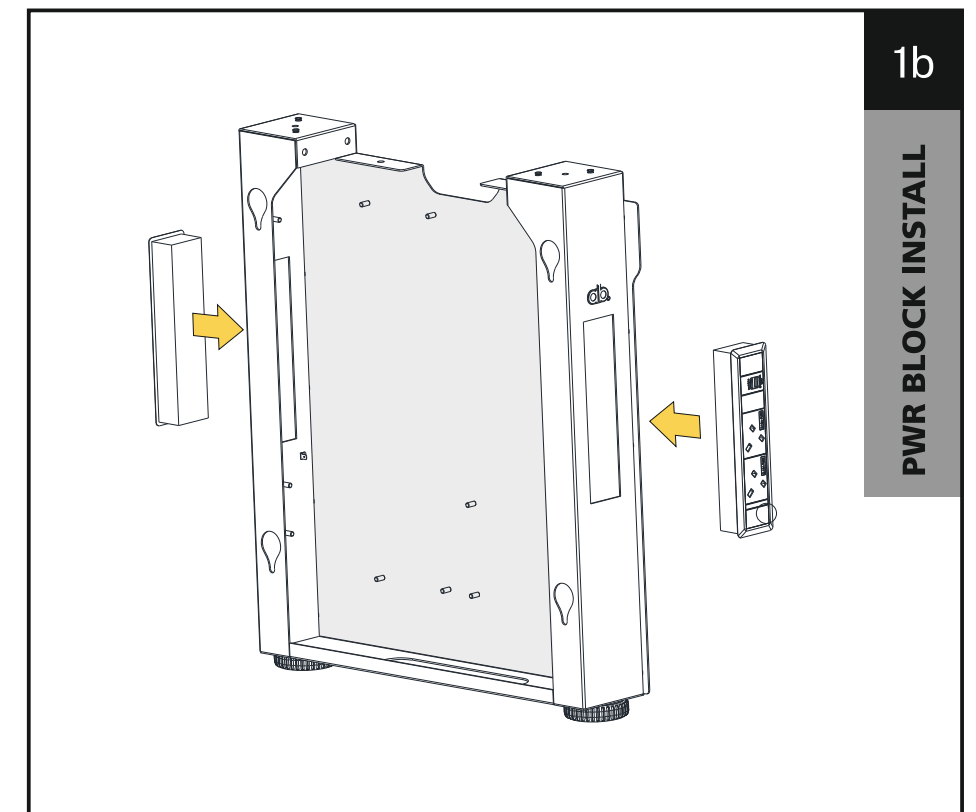
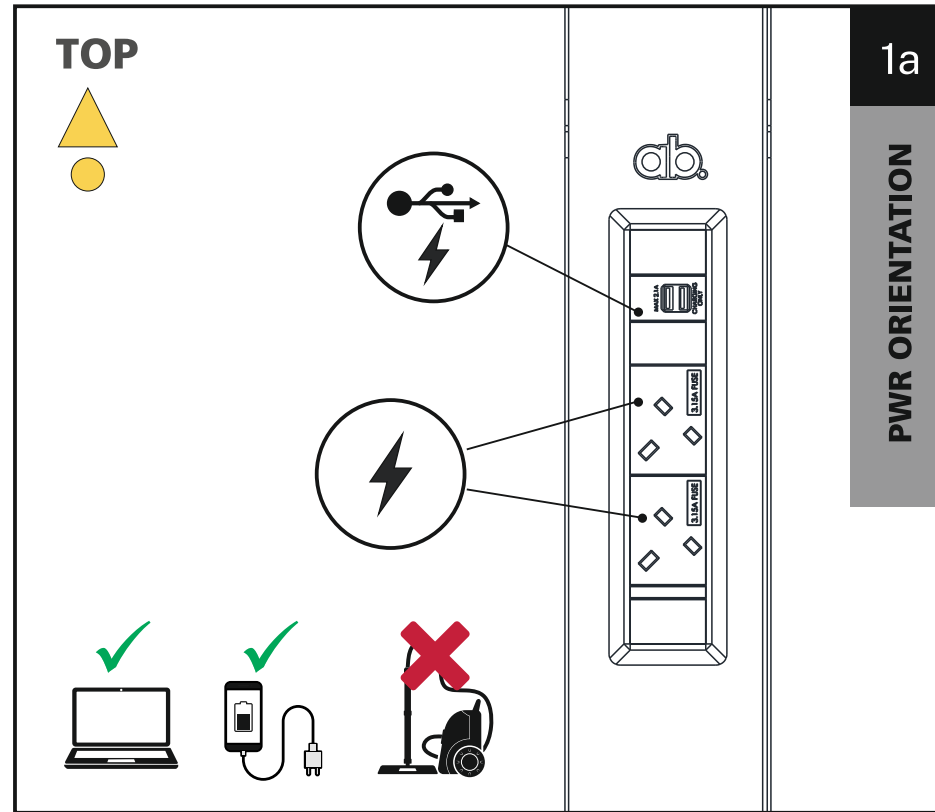
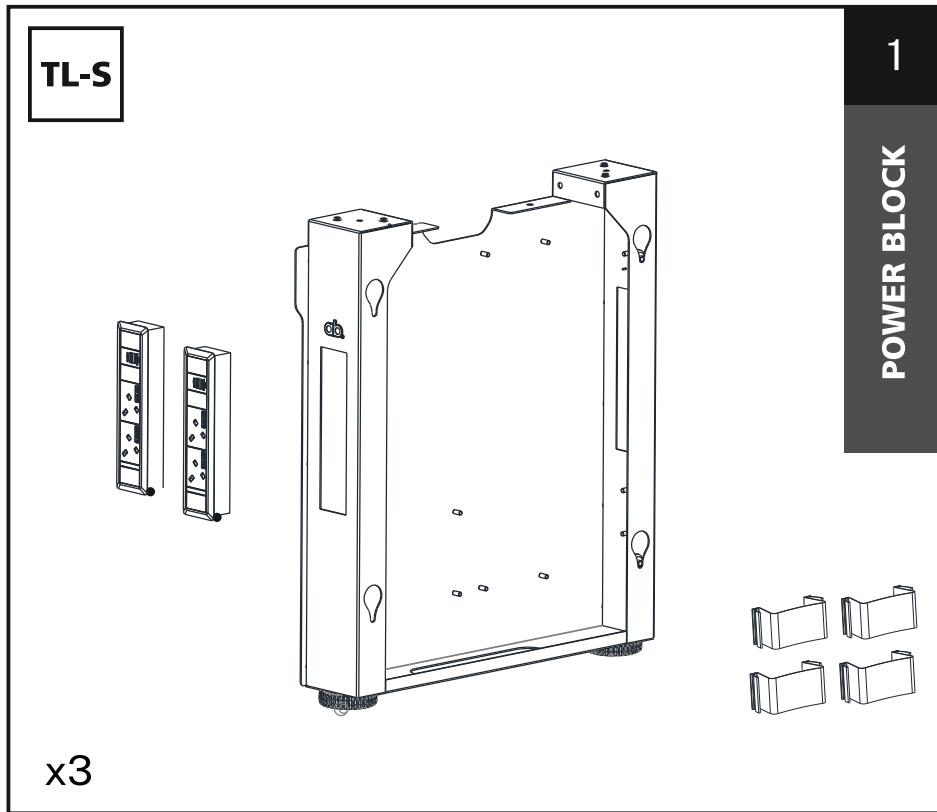
Floor Grommet Placement Dimensions.



5. Assembly

RT11 - Rectangular 11 Seat Table.

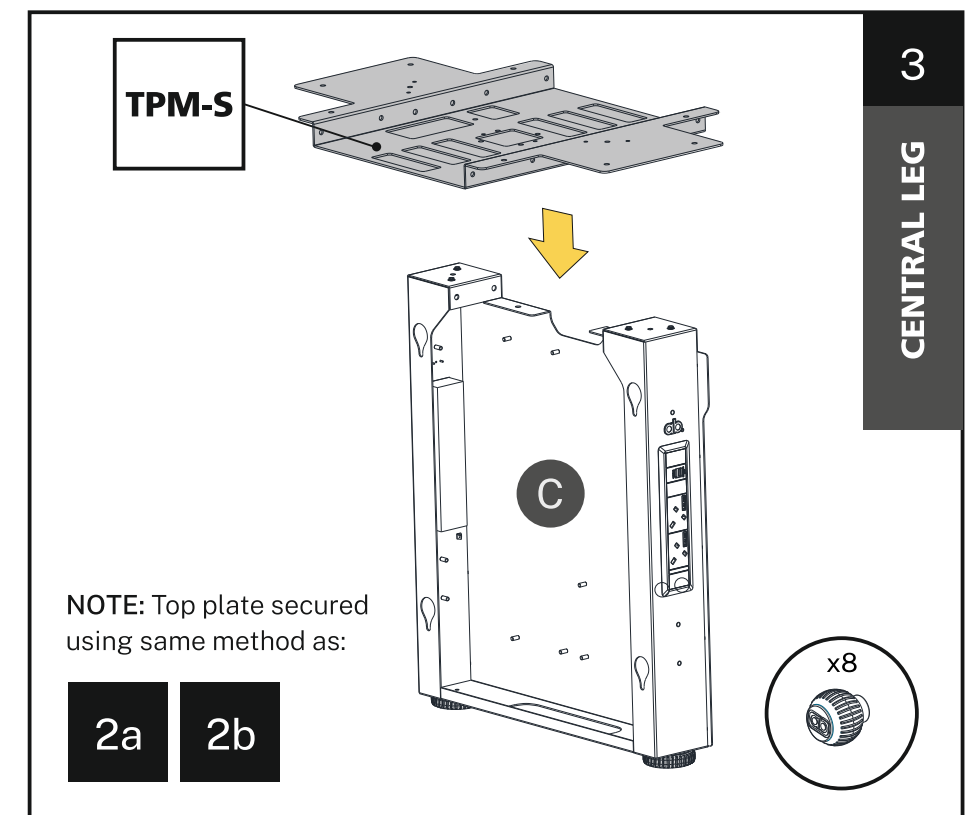
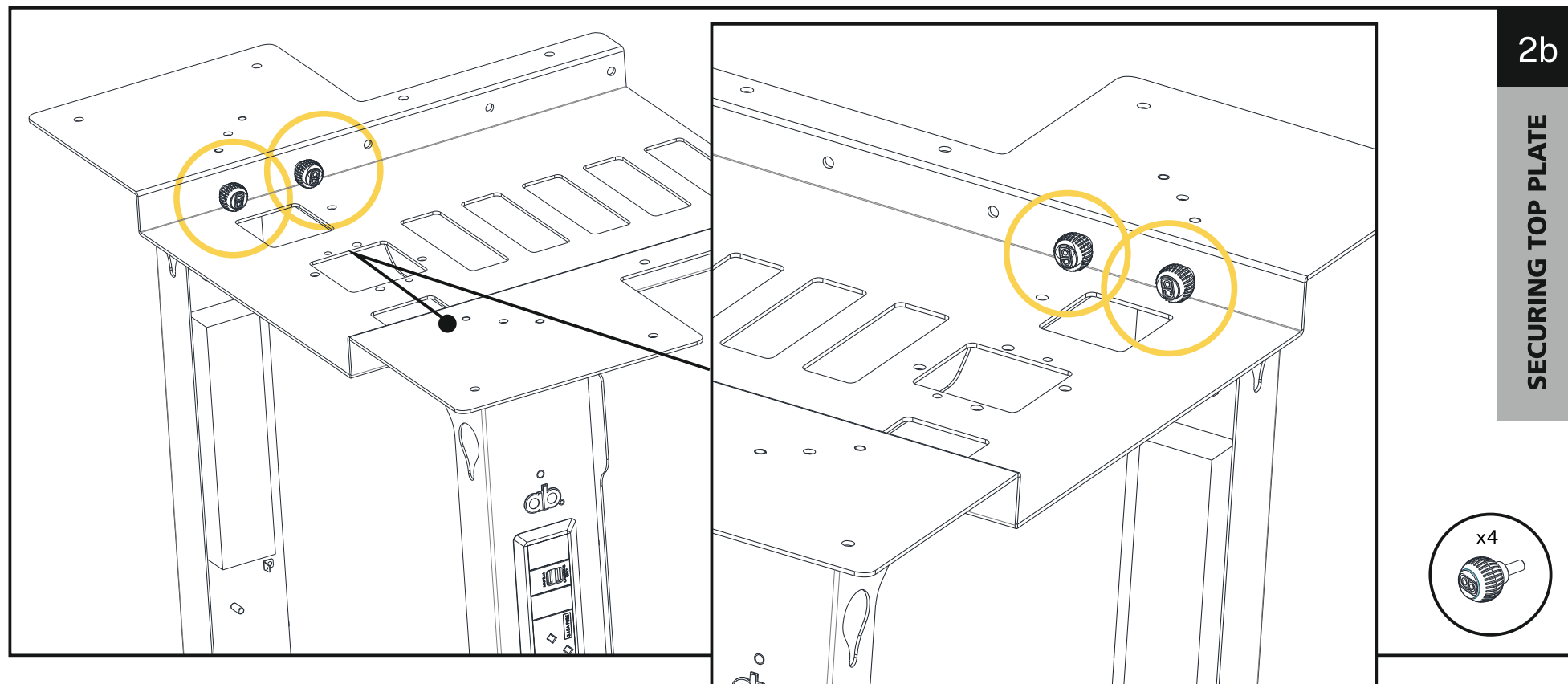
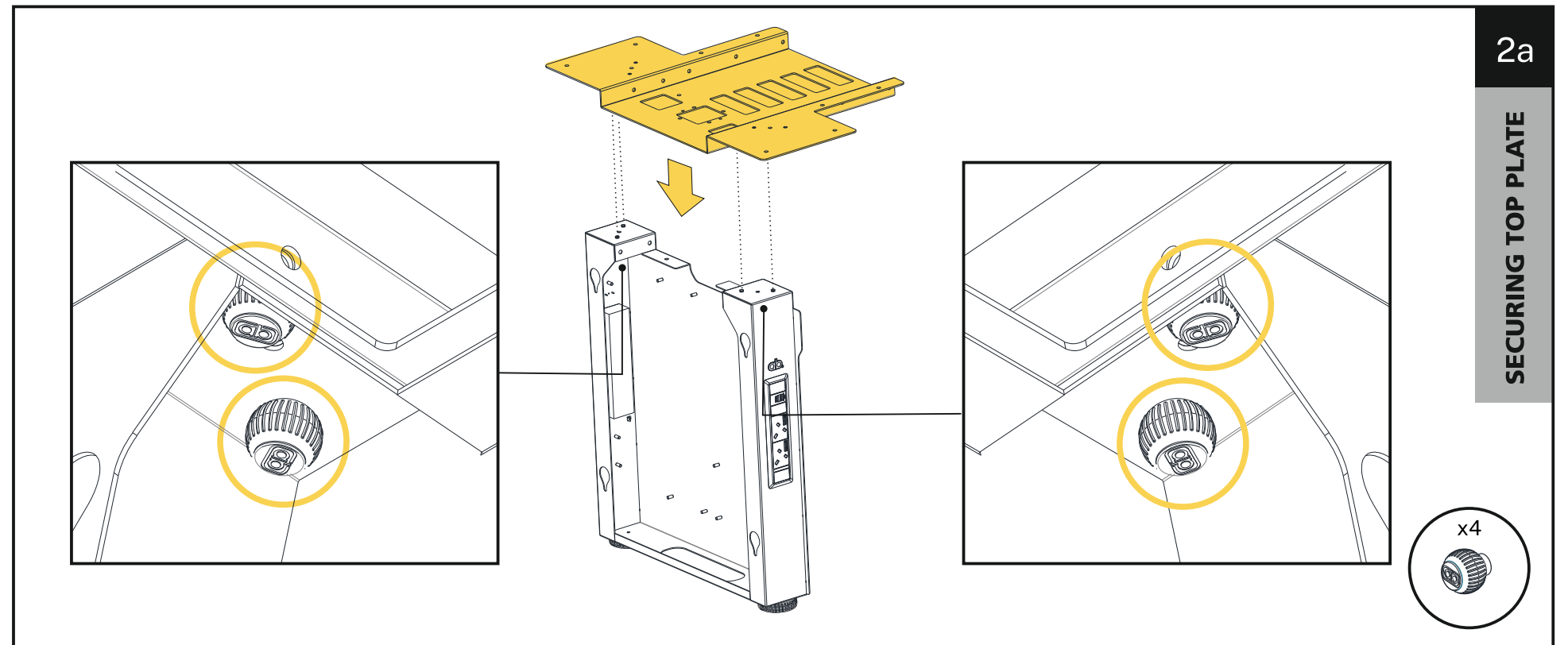
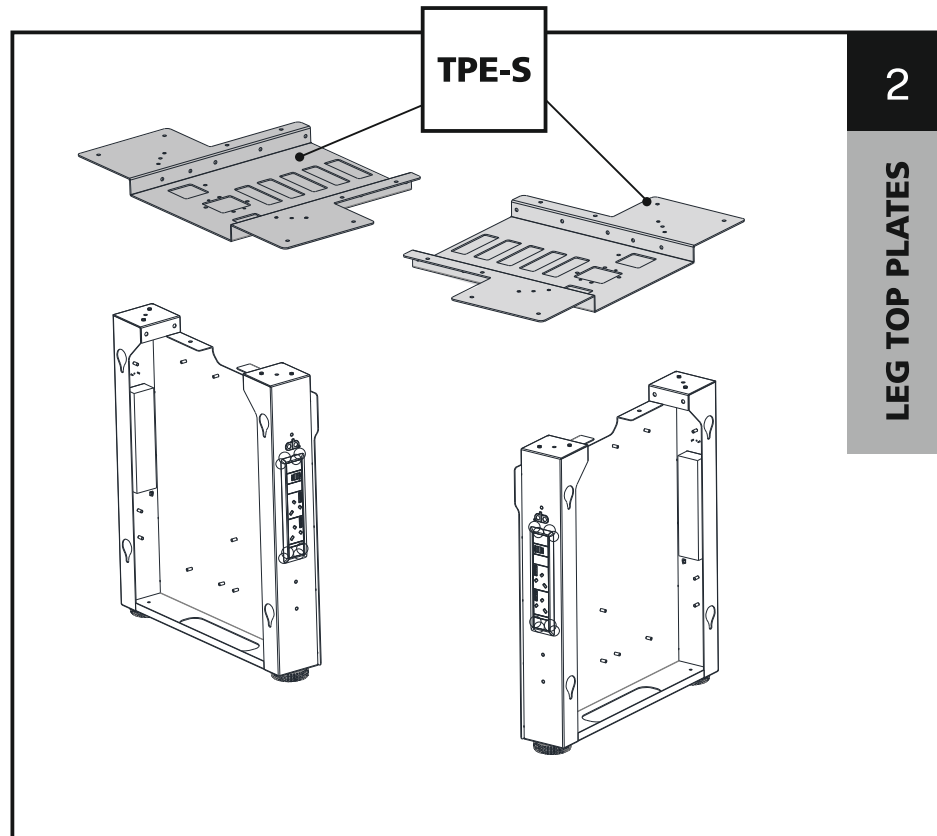
Assembly Guide



This process is applied to each of the three legs supplied ensuring that only one block per leg is fitted.

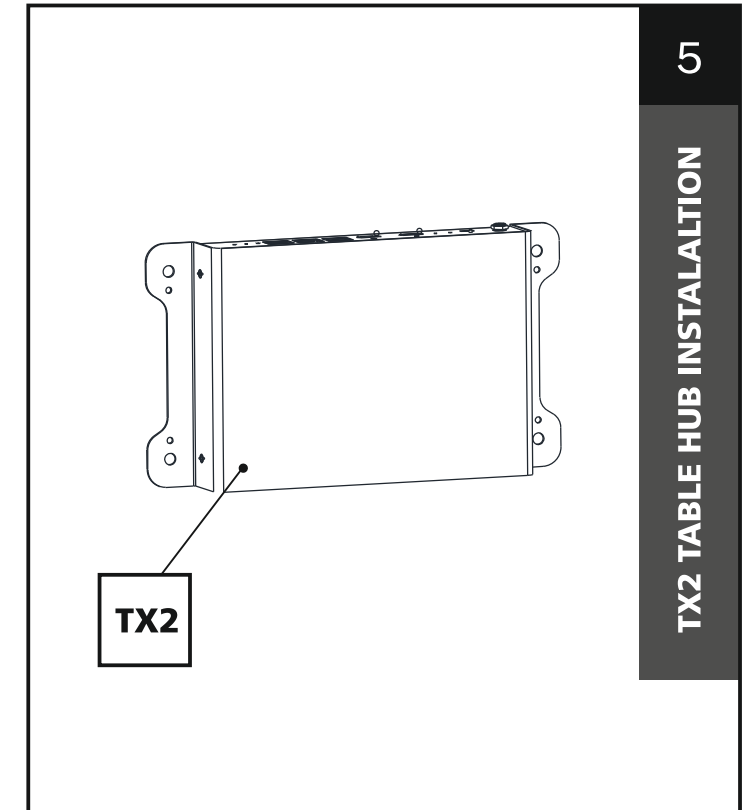
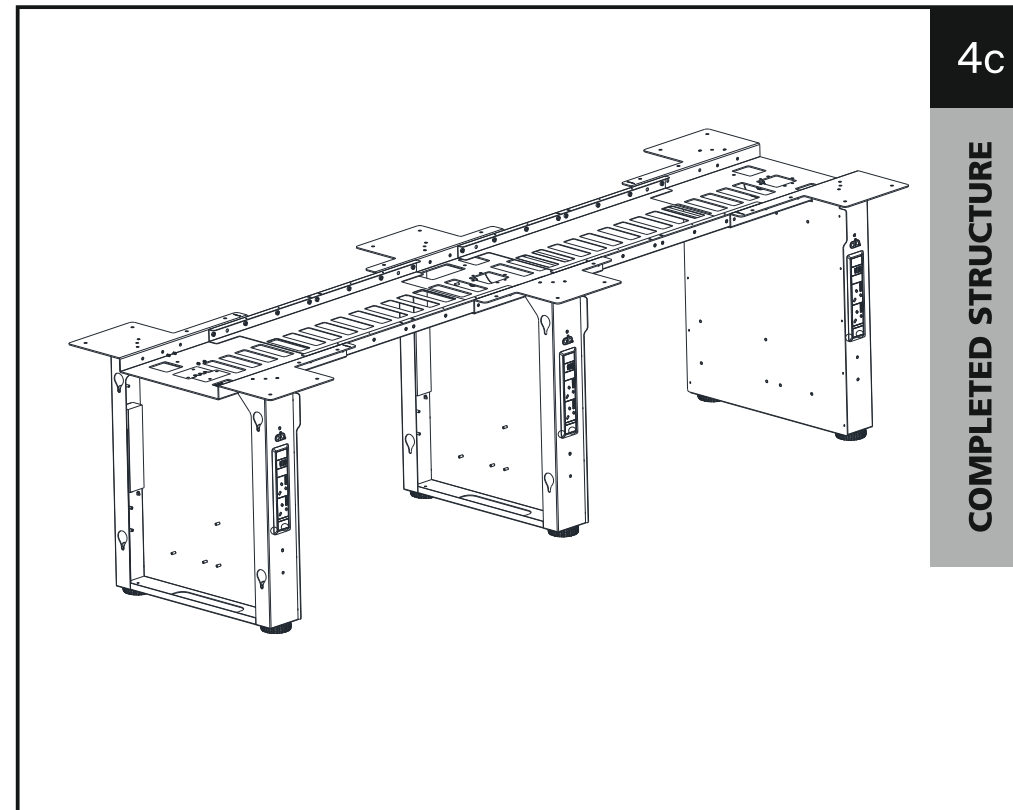
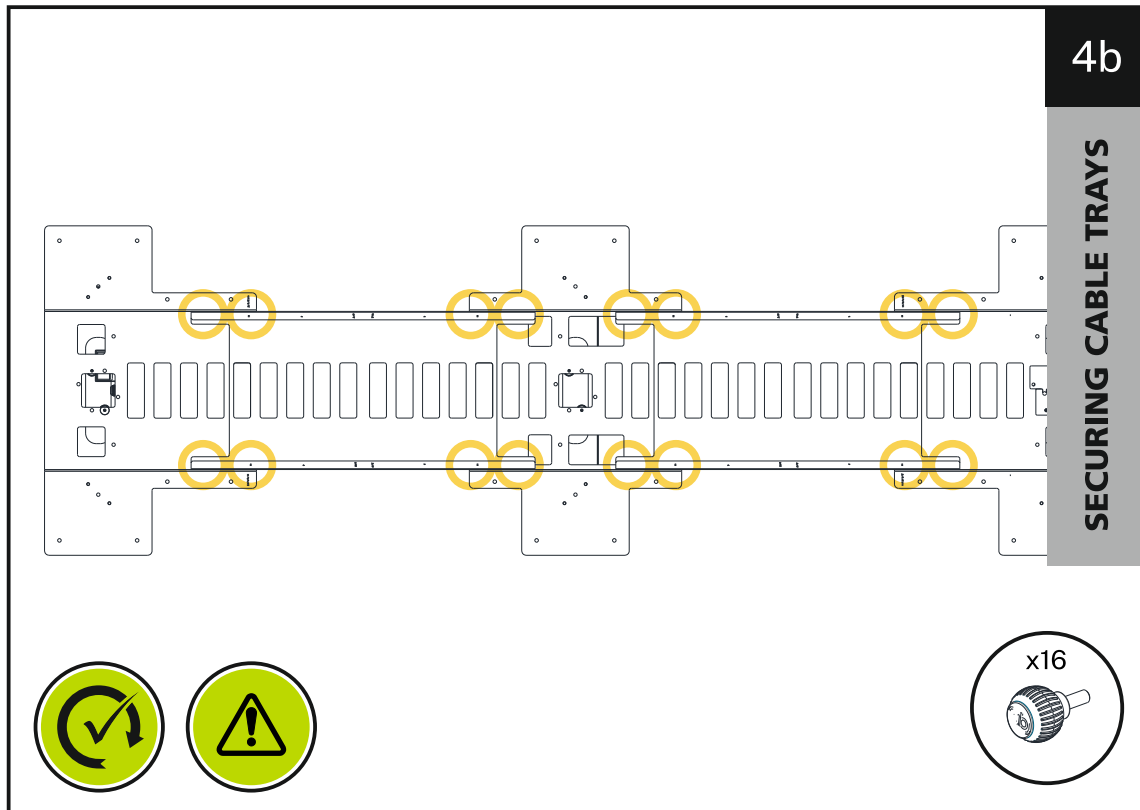
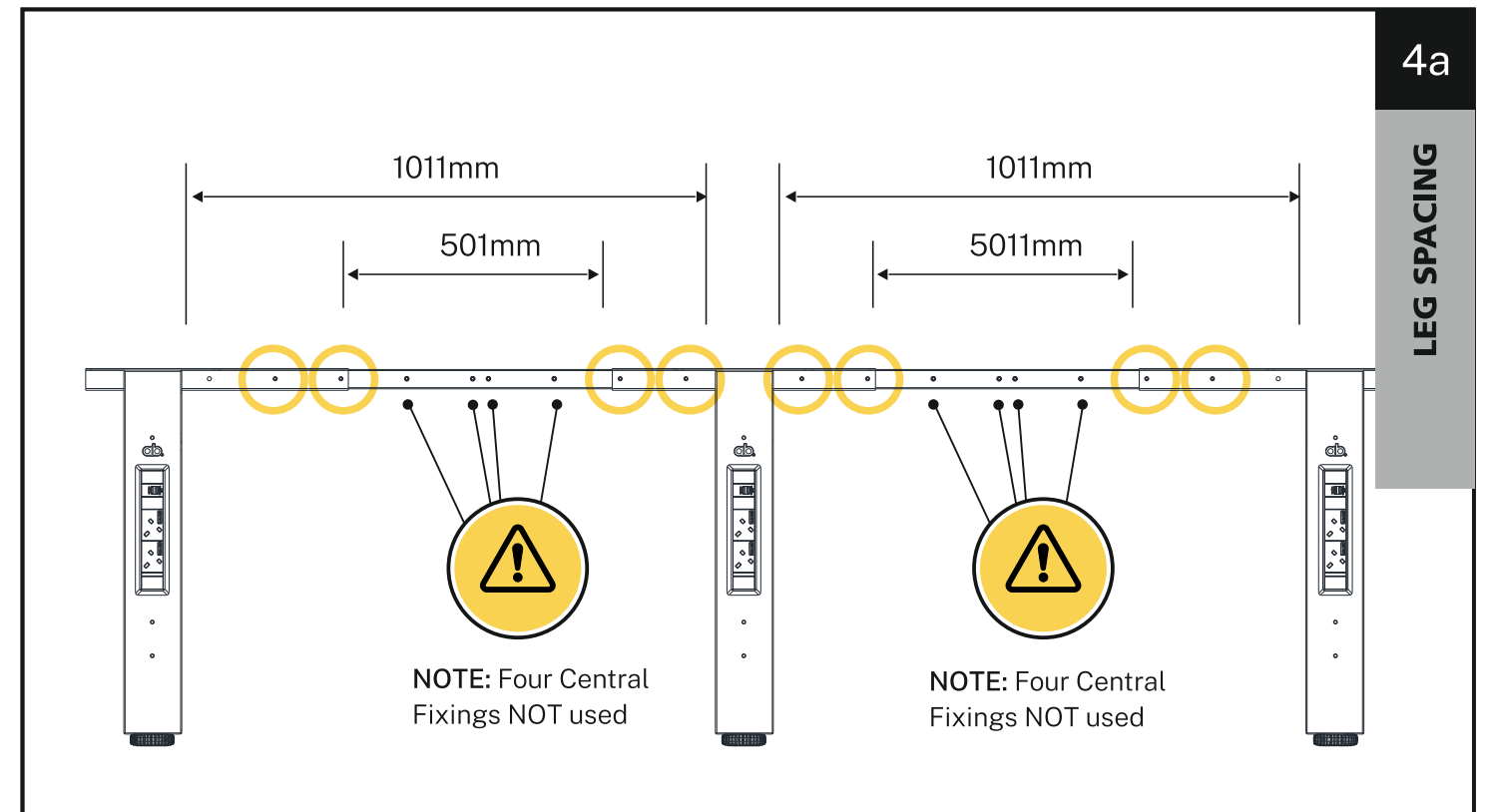
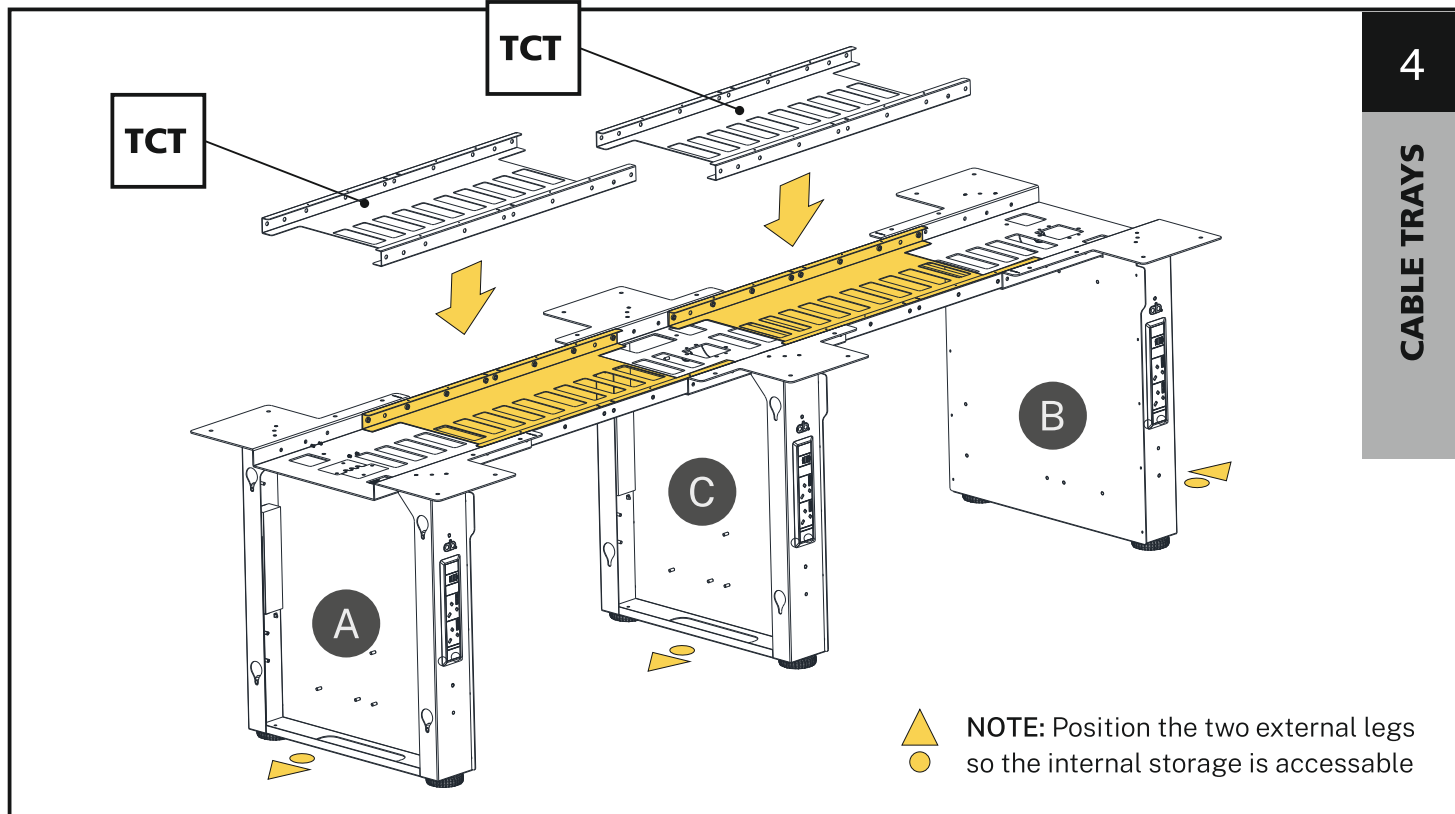
RT11 - Rectangular 11 Seat Table.

Assembly Guide



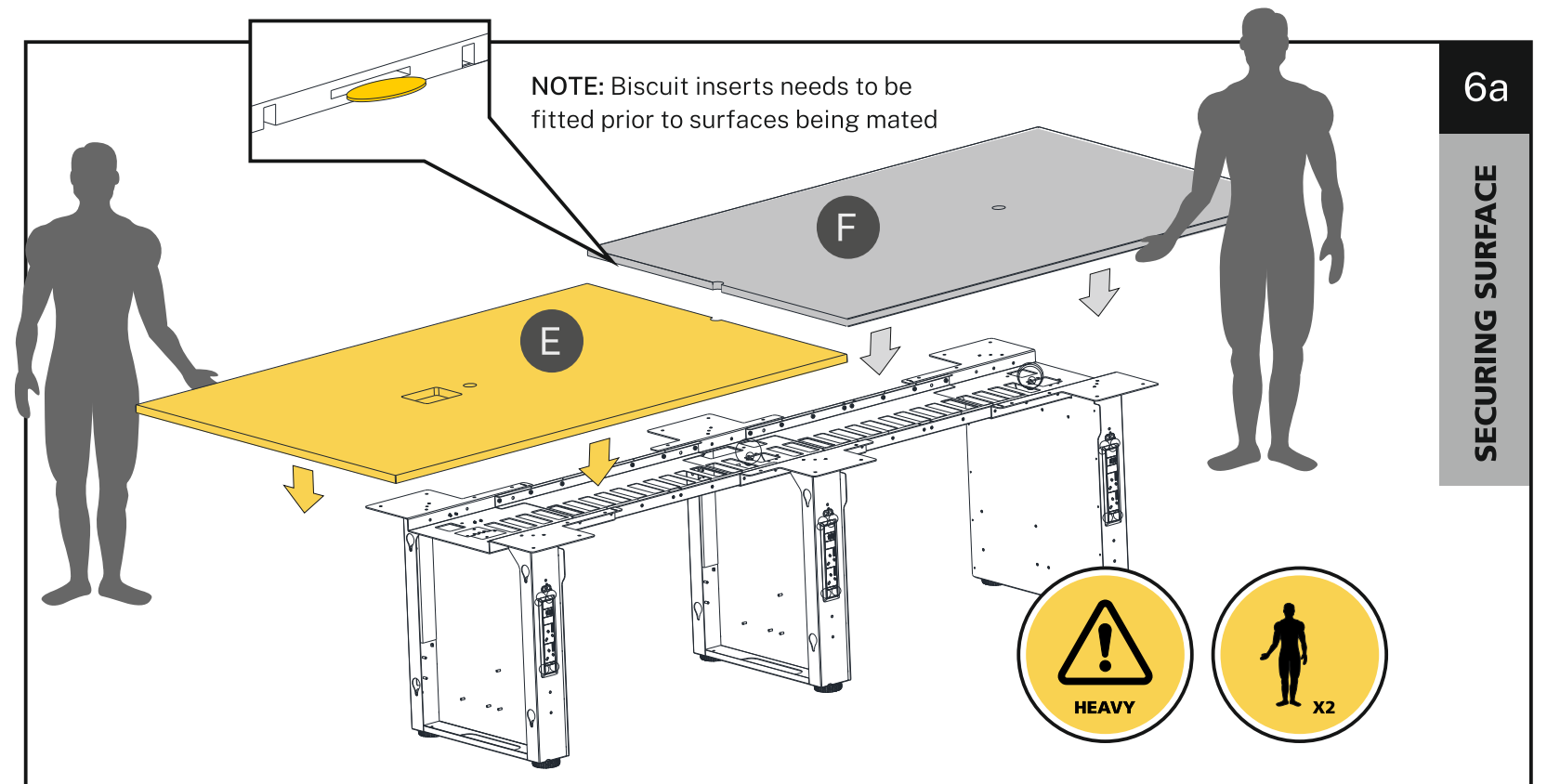
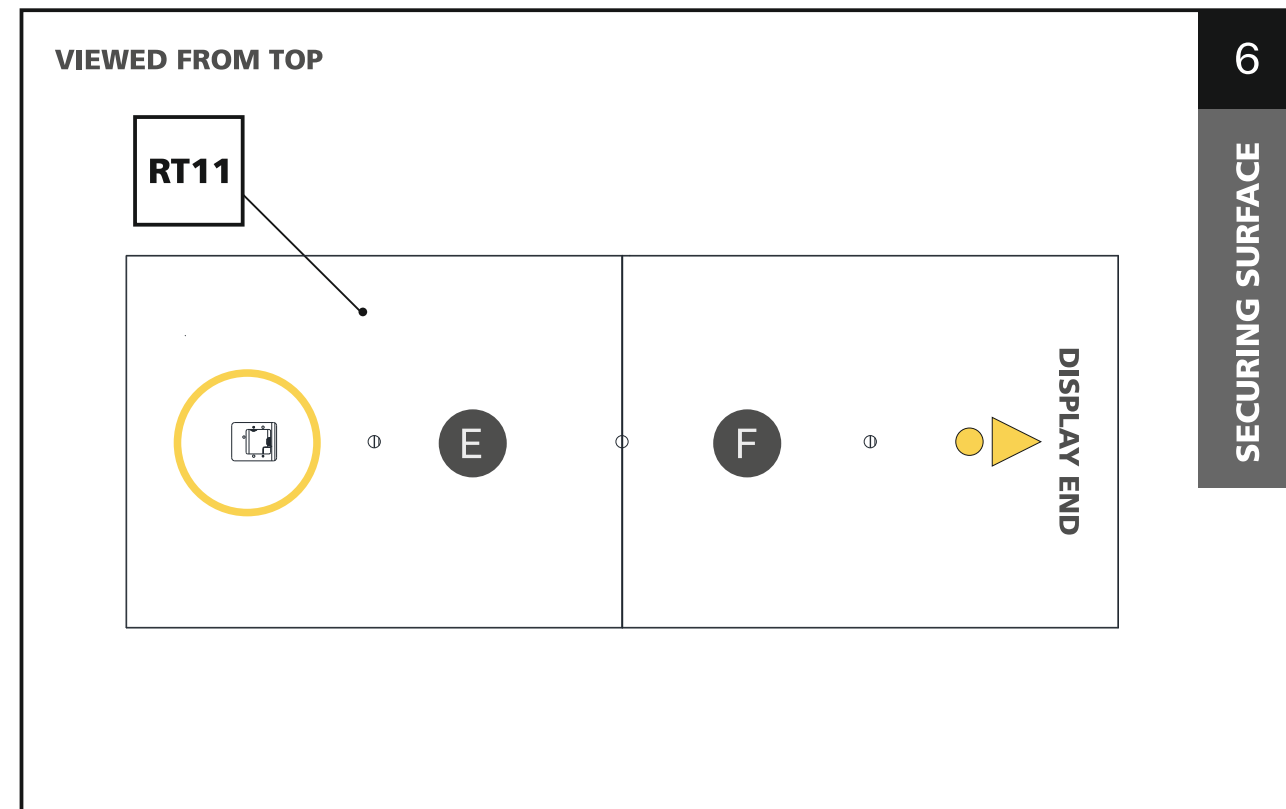
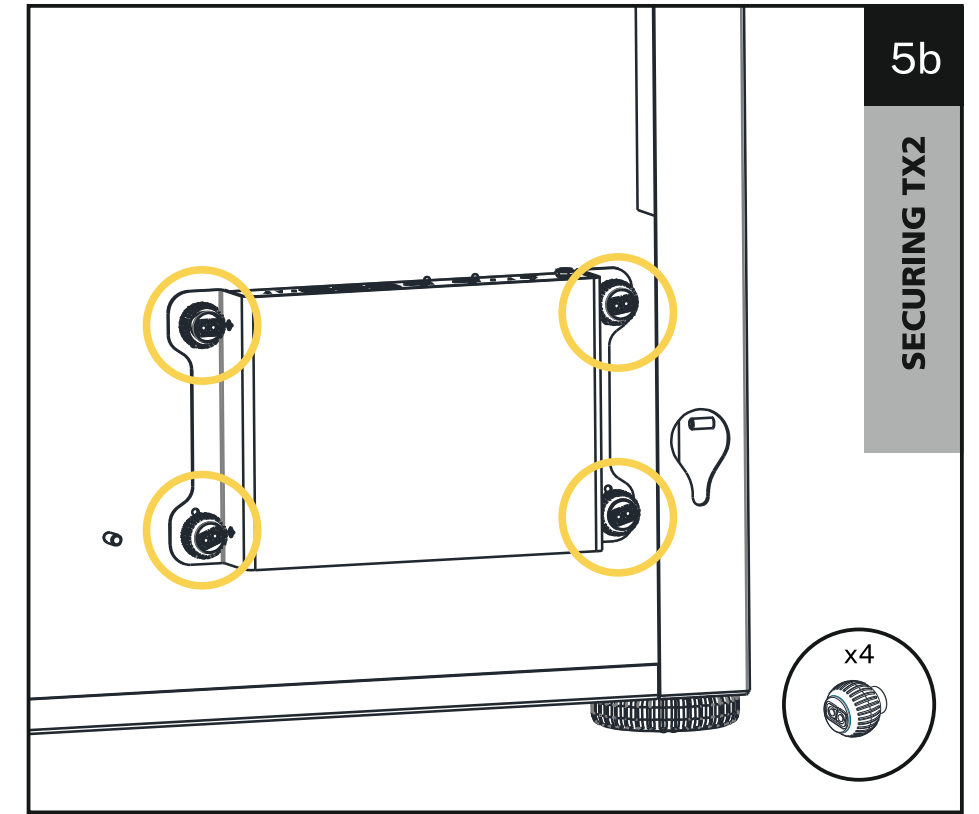
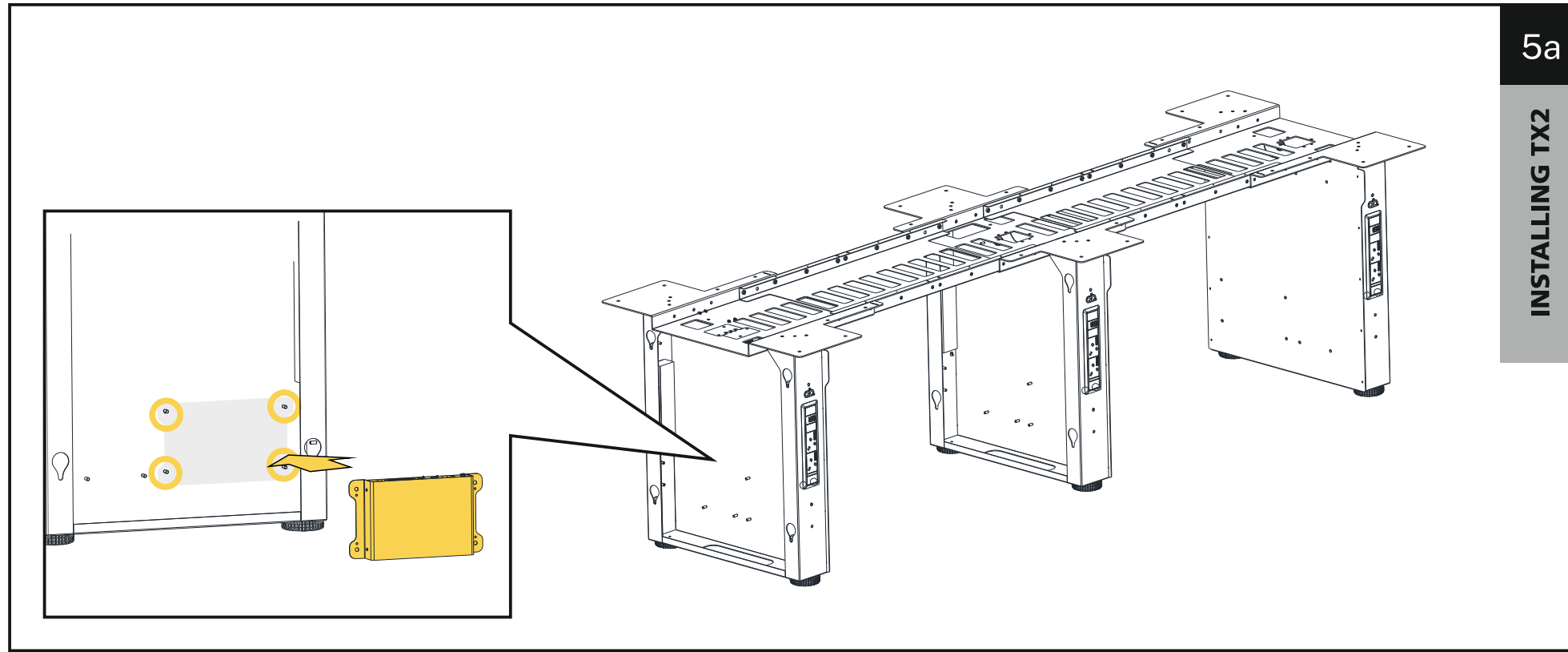
RT11 - Rectangular 11 Seat Table.

Assembly Guide



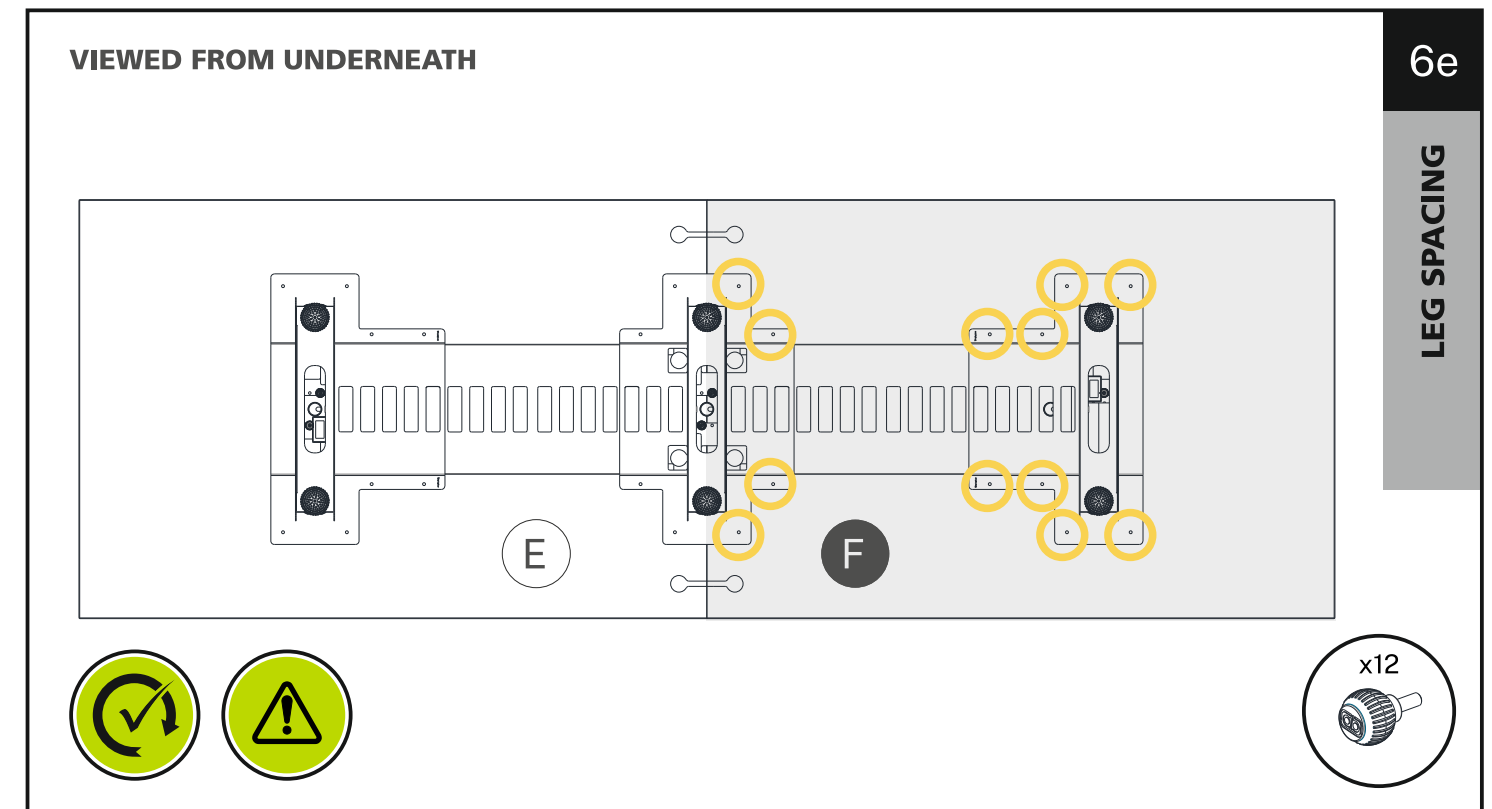
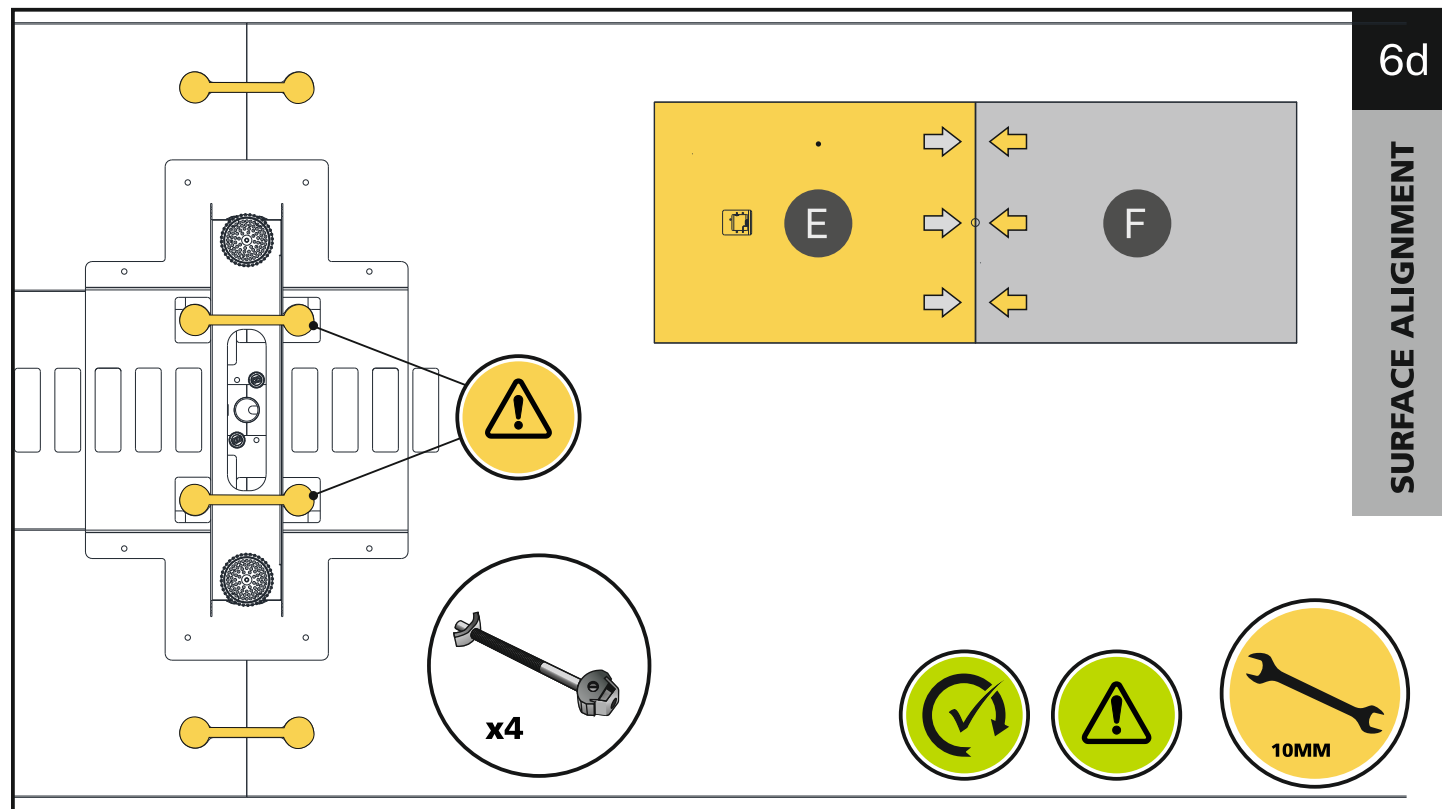
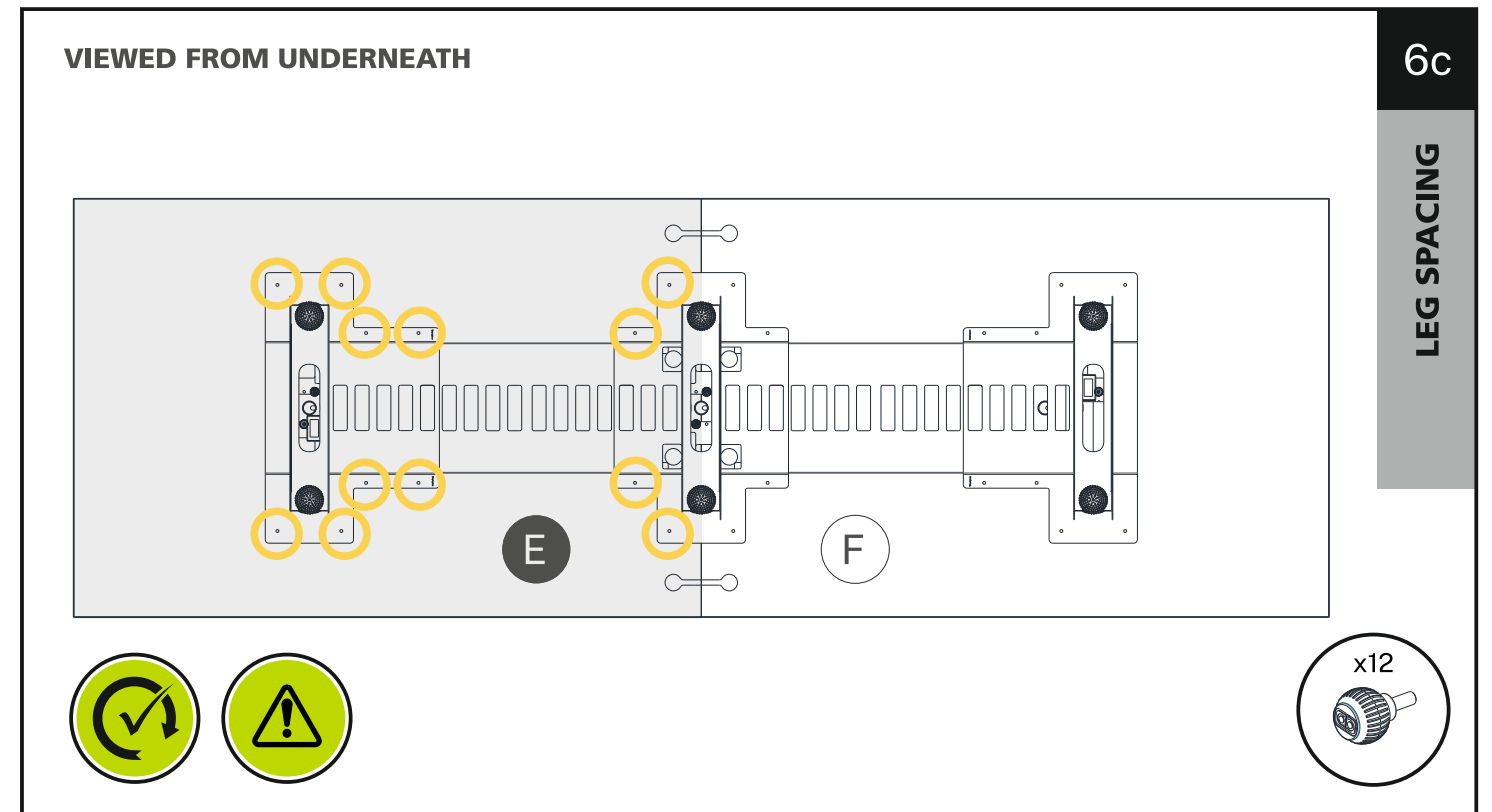
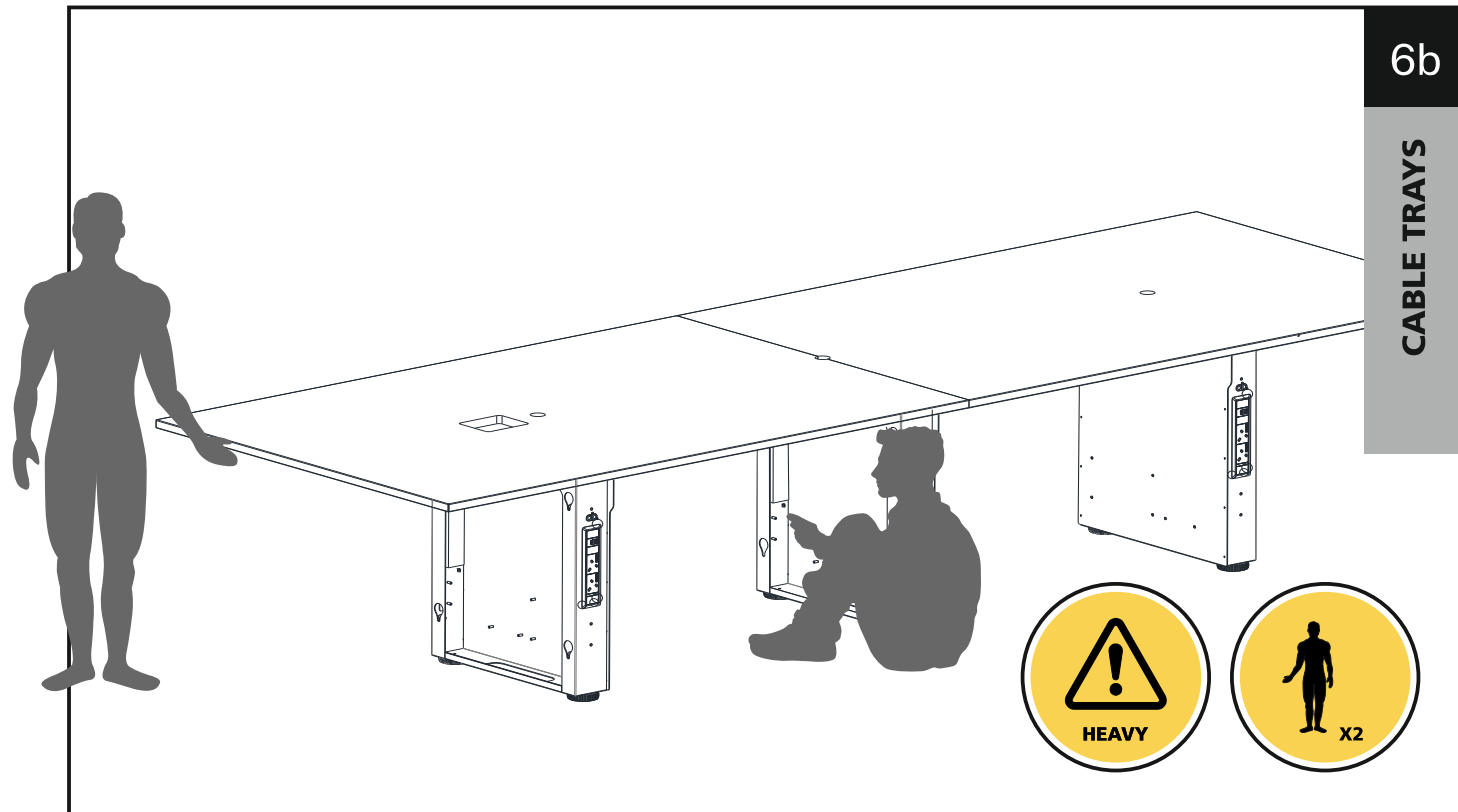
RT11 - Rectangular 11 Seat Table.

Assembly Guide



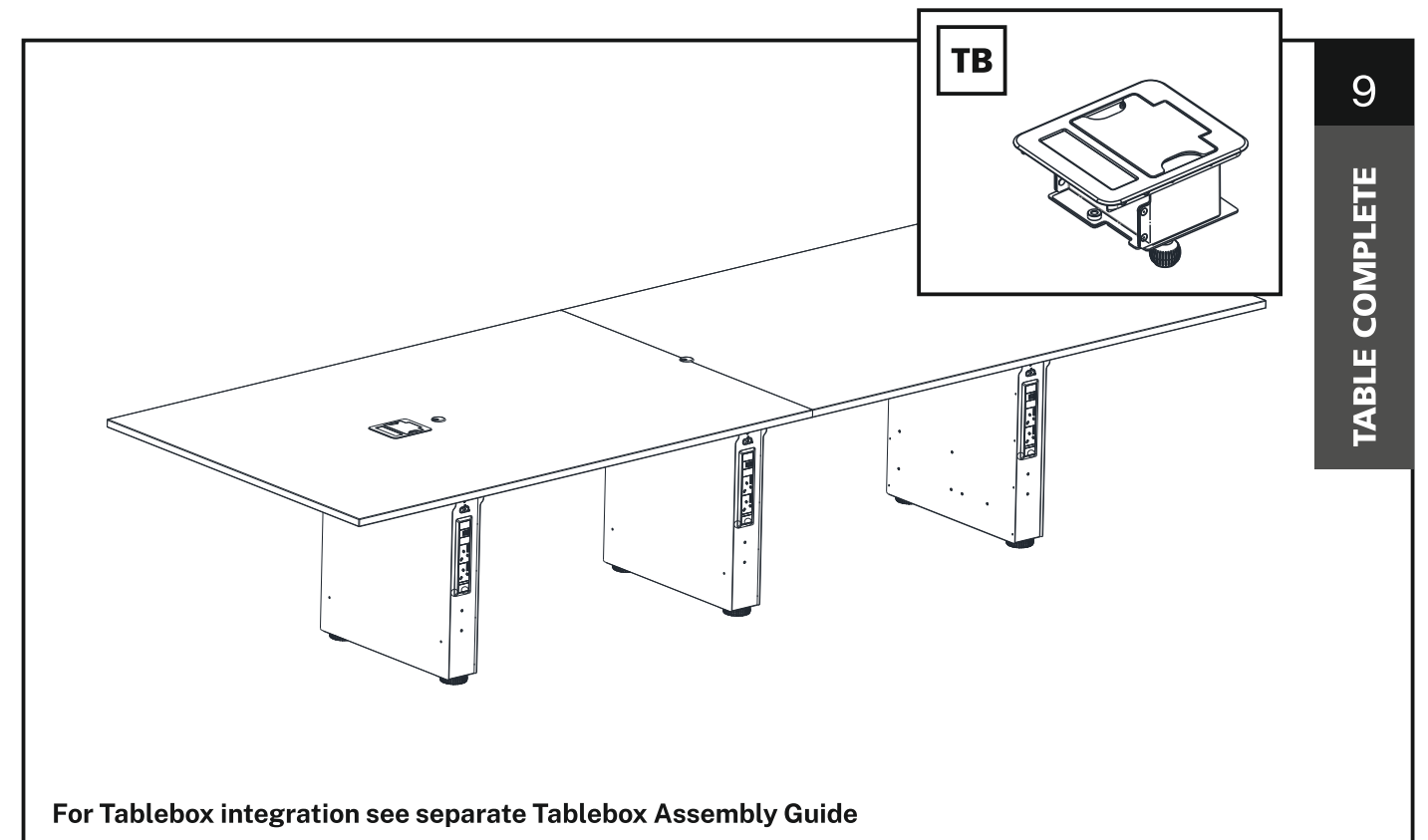
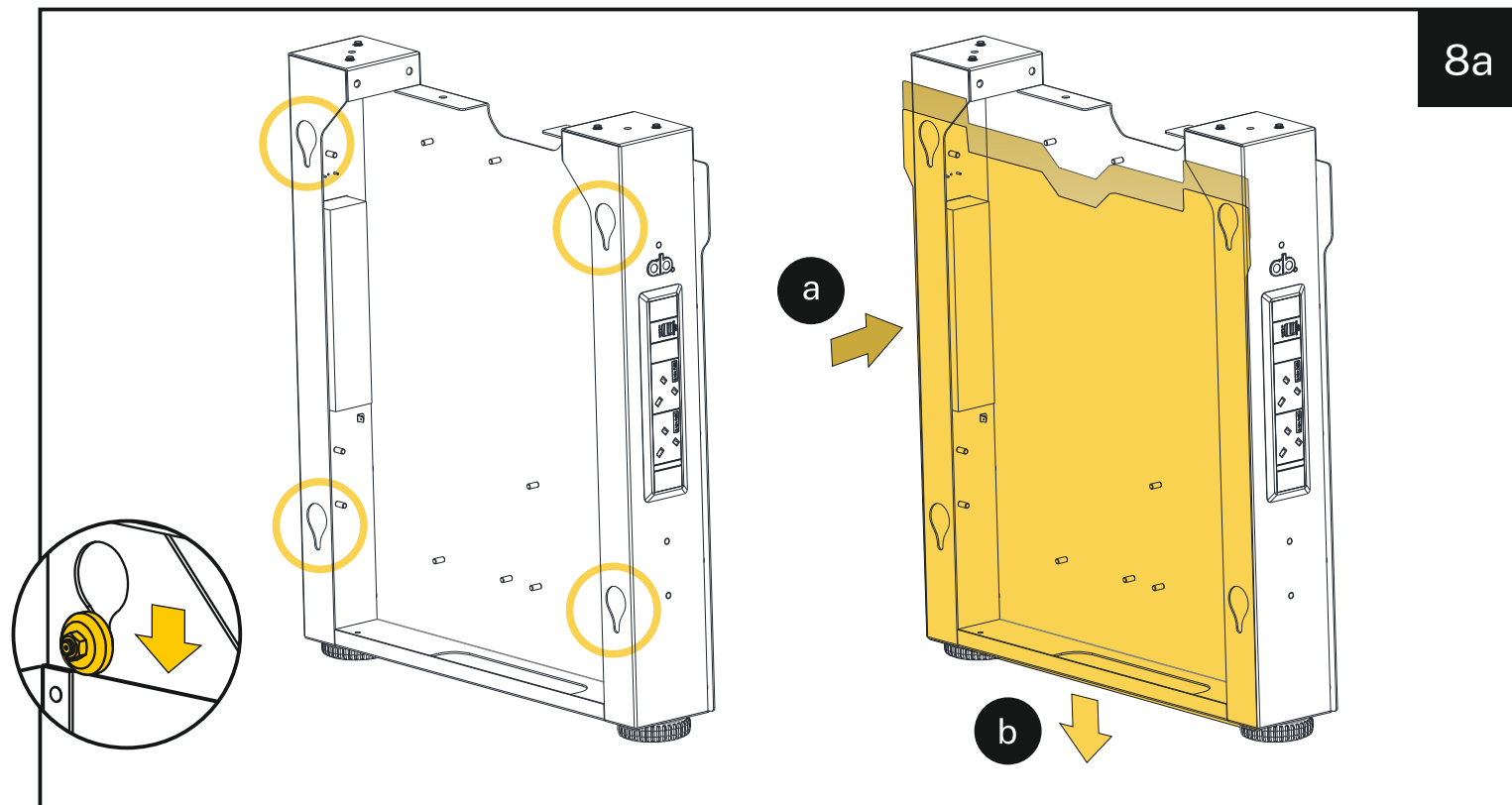
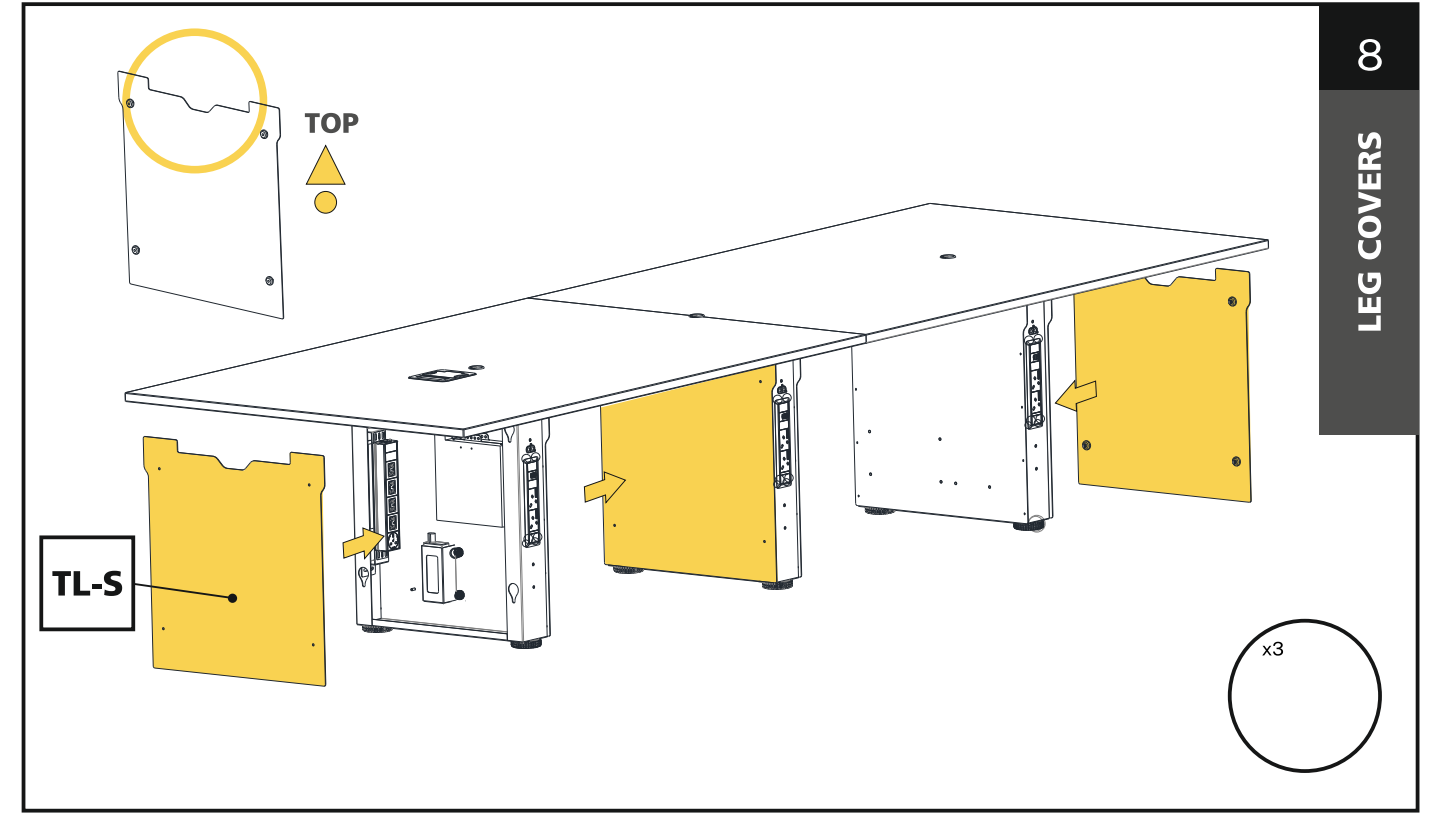
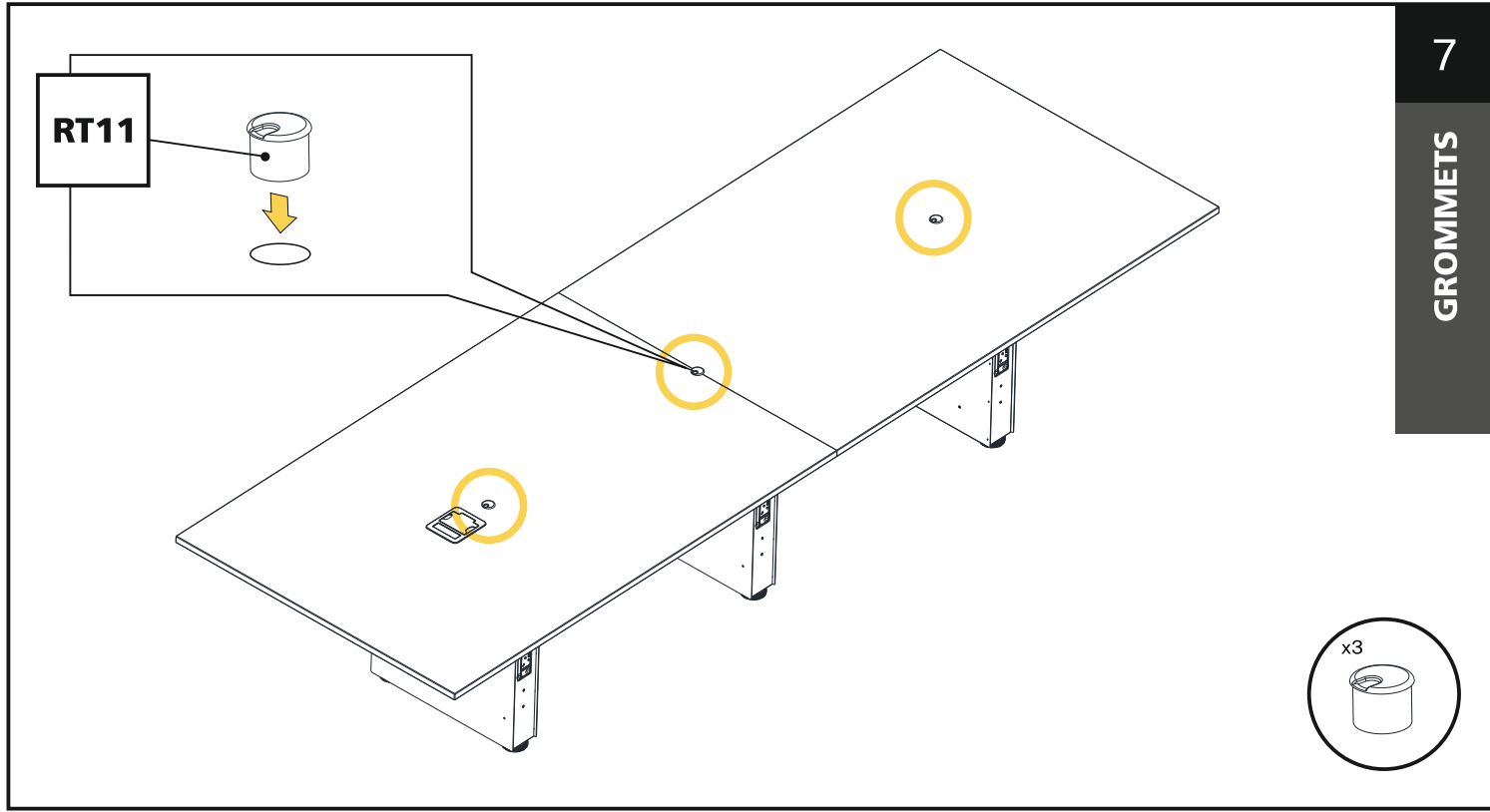
RT11 - Rectangular 11 Seat Table.

Assembly Guide



RT11 - Rectangular 11 Seat Table.

Assembly Guide



For Tablebox integration see separate Tablebox Assembly Guide