

ST8

ST8 - Shaped 8 Seat Table Assembly Guide



ST8 - Shaped 8 Seat Table.

Assembly Guide



Please read before proceeding.

Before proceeding with assembly, connection, and operation, please ensure that you read this document fully, and any additional documentation that may be included with the product.

Please keep this Assembly Guide for future reference.

We have tried to make this Assembly Guide as simple as possible to follow, however we are always keen to improve. So if you find anything that is not clear or inaccurate, please let us know by sending your suggestions to: support@ashtonbentley.com.

Trademark Information

Ashton Bentley®, and the names and marks associated with Ashton Bentley Group Limited's products, are trademarks and/or service marks of Ashton Bentley Trading Limited, and are registered and/or common law marks in the United Kingdom and various other countries. All other trademarks are property of their respective owners.

Patent Information

The accompanying product is protected by one or more UK, EU, US, and foreign patents and/or pending patent applications held by Ashton Bentley Trading Limited.

No part of this documentation may be reproduced or transmitted in any form or by any means, electronic or mechanical, for any purpose, without the express written permission of Ashton Bentley Trading Limited. Under the law, reproducing includes translating into another language or format. As between the parties, Ashton Bentley Trading Limited retains title to and ownership of all proprietary rights with respect to the software contained within its products.

Any software is protected by copyright laws and international treaty provision. Therefore, the software must be treated like any other copyrighted material (e.g., a book or sound recording).

Every effort has been made to ensure that the information in this manual is accurate. Ashton Bentley Trading Limited is not responsible for printing or clerical errors. Information in this document is subject to change without notice.

www.ashtonbentley.com

23 Schooner Court, Crossways Business Park, Dartford, DA2 6NW, United Kingdom.

© 2024 Ashton Bentley Trading Limited All rights reserved

1. Important Safety Information

ST8 - Shaped 8 Seat Table.

Assembly Guide

Important safety information.

General

The following information and precautions should always be followed to reduce the risk of damage or injury. If in any doubt about installation, operation or maintenance please contact your vendor or Ashton Bentley.

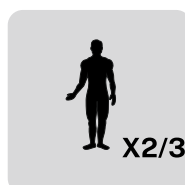
- Follow all warnings and instructions in this document and marked on the equipment.
- Allow plenty of space in the construction area.
- Only operate the system indoors, in a dry environment.
- Always use suitable cable management or install cables under a raised floor to avoid trip hazards.
- Do not block or cover any vents on the products.

Displays, Chassis and Tables.

As some parts are large and heavy, we recommend a two-person assembly. If tethering a Chassis to a wall using the supplied Ashton Bentley Wall Brackets, ensure the wall is solid, stable, and that suitable fixings (not provided) are used.

Recommendations and warnings.

Symbols are used where extra attention is required. For example, if an item is heavy and requires a minimum number of personnel.



Electrical.

If the incoming mains electrical feed is unstable or prone to transient input voltage spikes of more than 1KV, we recommend the use of a surge protector connected to the power input cable.

If any of the following are noticed, then do not use the product until everything is back to a fully safe state:

- Damaged power cables, plugs, power supplies/adapters, extension cords or surge protectors
- Signs of overheating, such as smoke, sparks, or fire.
- Signs of liquid ingress or an object that has fallen onto the electronic elements of the product, the power cable, or the power supply/adaptor.

Note:

Never wrap a power cable around a power supply/adaptor or other object. Always route power cables so that they will not be walked on, tripped over, or pinched by objects.

Do not use any power supply/adaptor that shows corrosion at the ac input pins or shows signs of overheating (such as deformed plastic).

The power cable and supply/adaptor provided with this product are intended to be used with this product only. Do not use them with any other products. The use of 3rd party power supplies/adaptors will invalidate the warranty.

Do not use the system, disconnect any cables, perform installation, maintenance, or reconfiguration of this product during an electrical storm.

Any product not supplied by Ashton Bentley should not be used if any of the above or other faults are experienced. Immediately disconnect from the Ashton Bentley product, along with the power supply and contact the product manufacturer for further instructions, or until a suitable replacement can be made.

2. Product Components

ST8 - Shaped 8 Seat Table.

Assembly Guide

Product Components.

The product is supplied in one or more cartons. The contents, with Carton ID, are listed below.

Please note anything missing and report back to you supplier.

Small Table Leg (with 2 x Dual Power Outlets & USB Charging) (Part No. 900-00545)

**One leg supplied*

| | | |
|----|---|------------|
| 1x | Slim Table Leg Upright (Small) Assembly | 810-002391 |
| 1x | Slim Table Leg Cover (Small) Assembly | 810-00284 |



Large Table Leg (with 2x Dual Power Sockets & USB Charging) (Part No. 900-00566)

**One leg supplied*

| | | |
|----|--------------------------------|-----------|
| 1x | Slim Table Leg Upright (Large) | 810-00288 |
| 1x | Slim Table Leg Cover (Large) | 810-00287 |



Top Plate for Small End Leg Assembly (Part No. 900-00637)

| | | |
|----|---|-----------|
| 1x | Slim Table Leg Top Plate Assembly (Small) | 431-00171 |
| 1x | General Table Assembly Fixings Kit | 820-00034 |



Top Plate for Large End Leg Assembly (Part No. 900-00639)

| | | |
|----|---|-----------|
| 1x | Slim Table Leg Top Plate Assembly (Large) | 810-00289 |
| 1x | General Table Assembly Fixings Kit | 820-00034 |



St8 Shaped 8 Seat Table Surface (Part No. 900-00594)

| | | |
|----|------------------------------|-----------|
| 1x | ST8 Shaped Tablefor8 Surface | 431-00158 |
| 3x | 39mm Circular Cable Grommet | 432-00016 |



Table Support Beam Kit (Part No. 900-00663)

| | | |
|----|---------------------------|-----------|
| 1x | AB Short Table Top Hat | 430-00241 |
| 1x | Table Surface Joining Kit | 820-00035 |



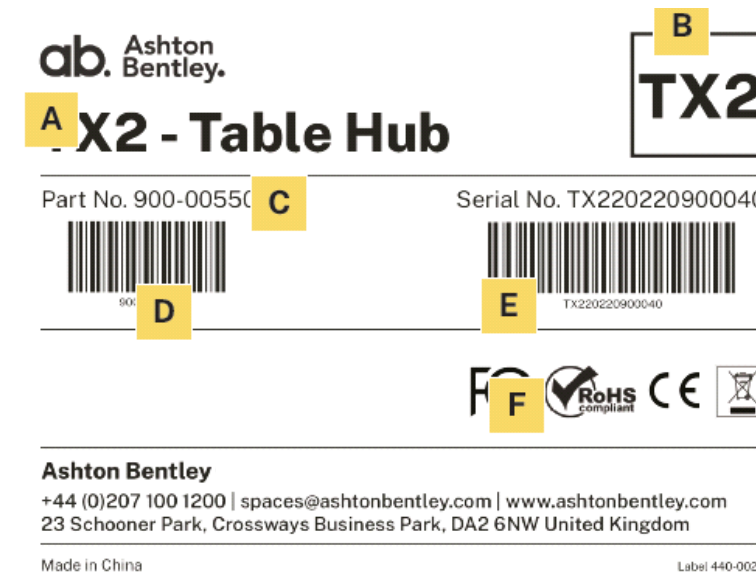
Centre Joining Cable Tray (Part No. 900-00547)

| | | |
|----|------------------------------------|-----------|
| 1x | Slim Table Leg Joining Plate | 430-00640 |
| 1x | General Table Assembly Fixings Kit | 820-00034 |



Each box will have a label attached that identifies what it contains, plus some additional information. Some labels have more details than others depending on contents.

A sample label looks like this:



- A: Product Description
- B: Box ID
- C: Part Number
- D: Part Number Barcode
- E: Serial Number Barcode (if applicable)
- F: Compliance & Conformity

3. How to use this Assembly Guide

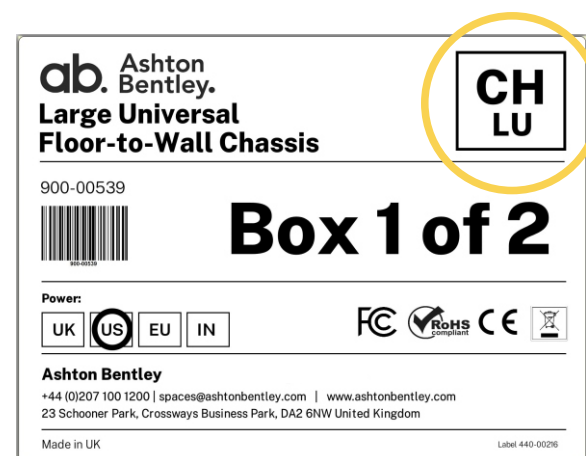
ST8 - Shaped 8 Seat Table.

Assembly Guide

How to use this Assembly Guide.

Product Components

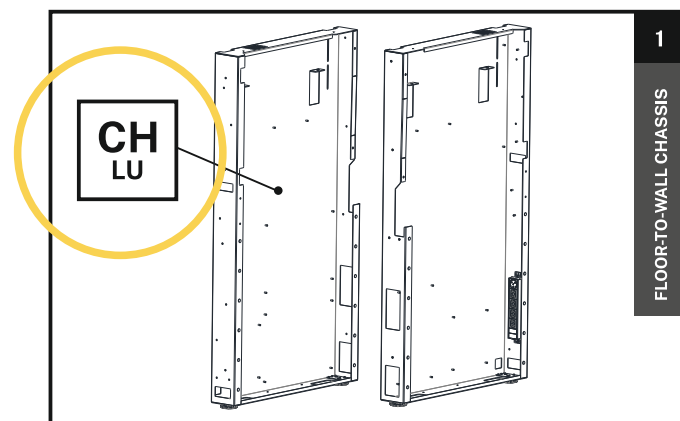
The product is supplied in several boxes. Each box has a label that contains information about the contents and a Box ID which can be located as shown below:



Box ID

Box ID is referenced in the instructions so you can locate the parts required at that point of assembly.

For example, in the instructions:



AB Knobs

The product is assembled using AB Knobs that are designed to be tightened by hand. Always ensure all knobs are secure before proceeding to the next step.

Some parts require particular attention, and these are indicated as follows:



Important instruction

The following symbols show the correct procedure.

Incorrect



Correct



4. Pre-Installation

ST8 - Shaped 8 Seat Table.

Assembly Guide

Notes.

Make sure the work area is clear and safe. Wear any appropriate PPE.

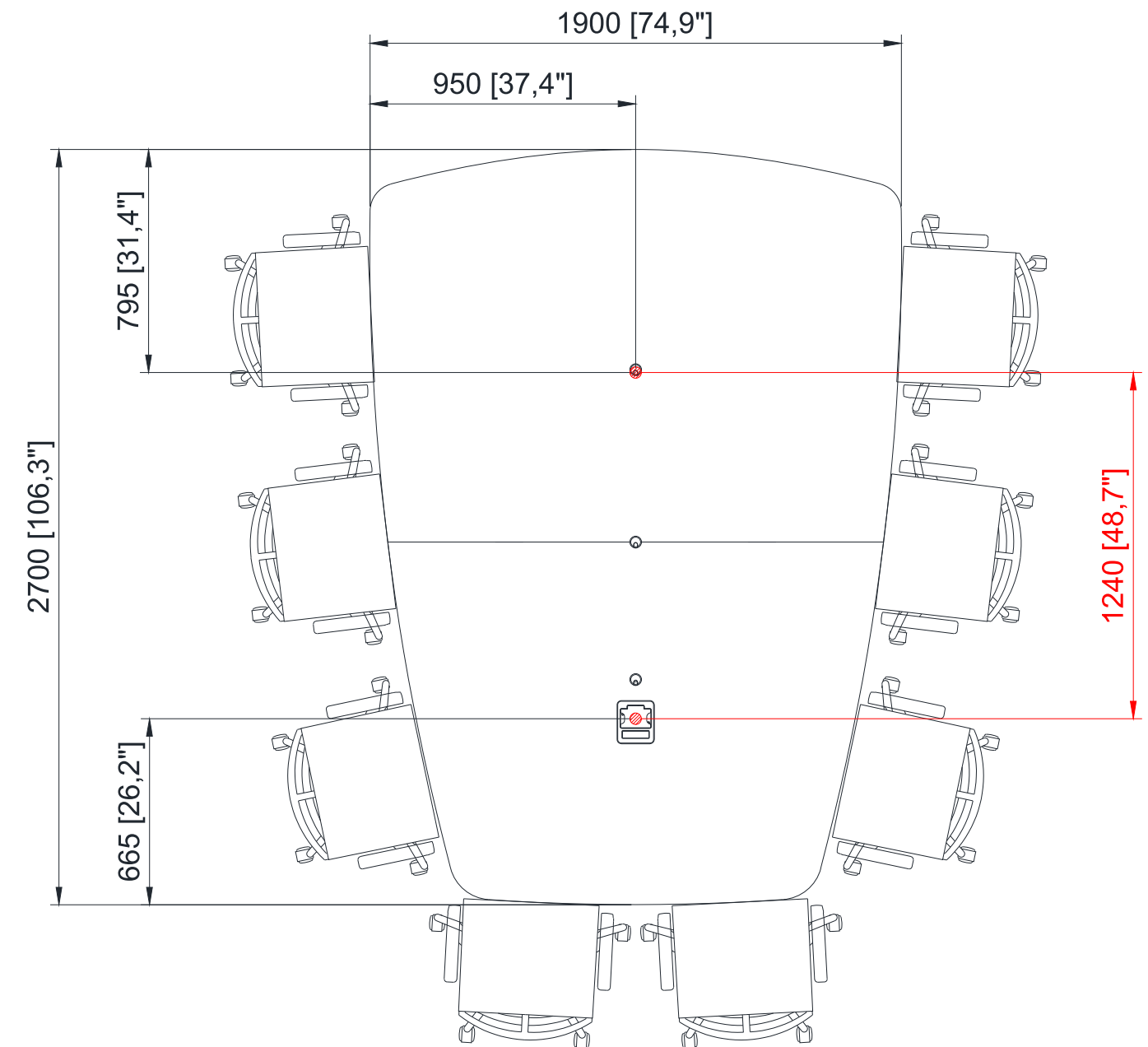
Check if any items are heavy and require more personnel.

If using any power tools, follow all safety protocols.

If integrating with any other manufactures products make sure that these are set-up according to the manufacturer's instructions.

Ensure that any local electrical codes are followed.

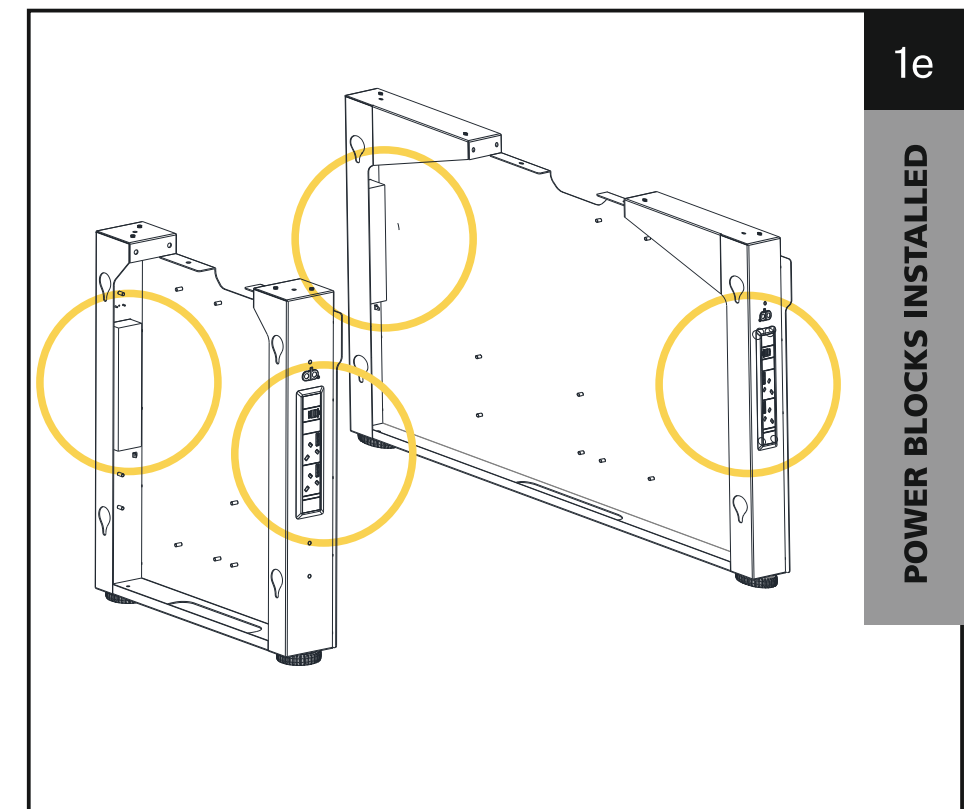
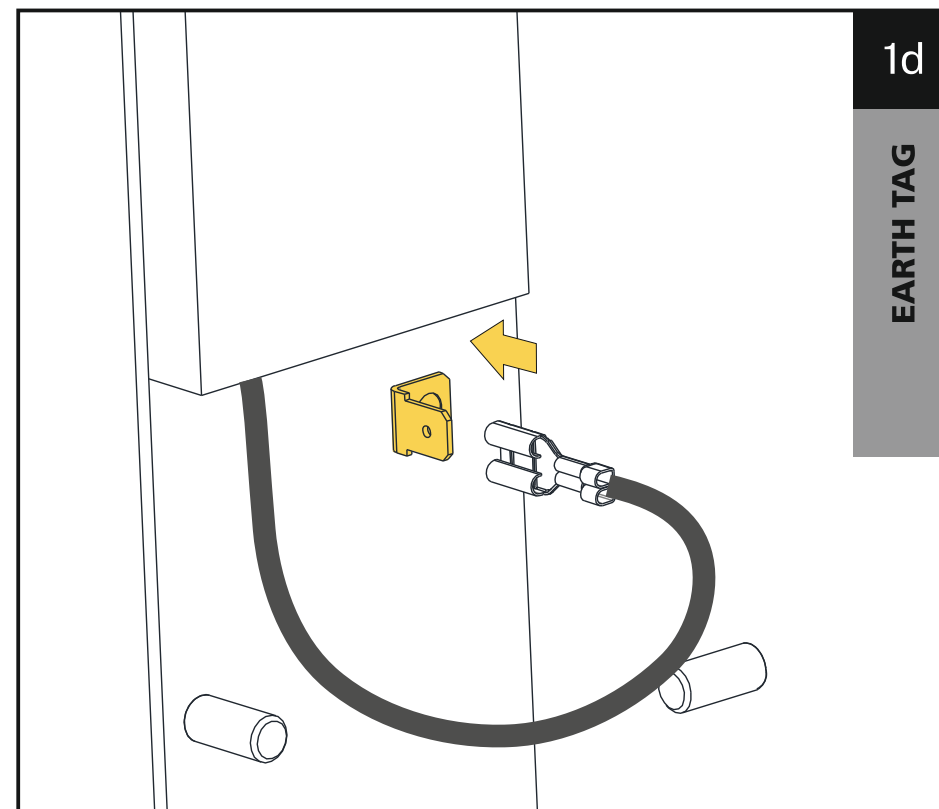
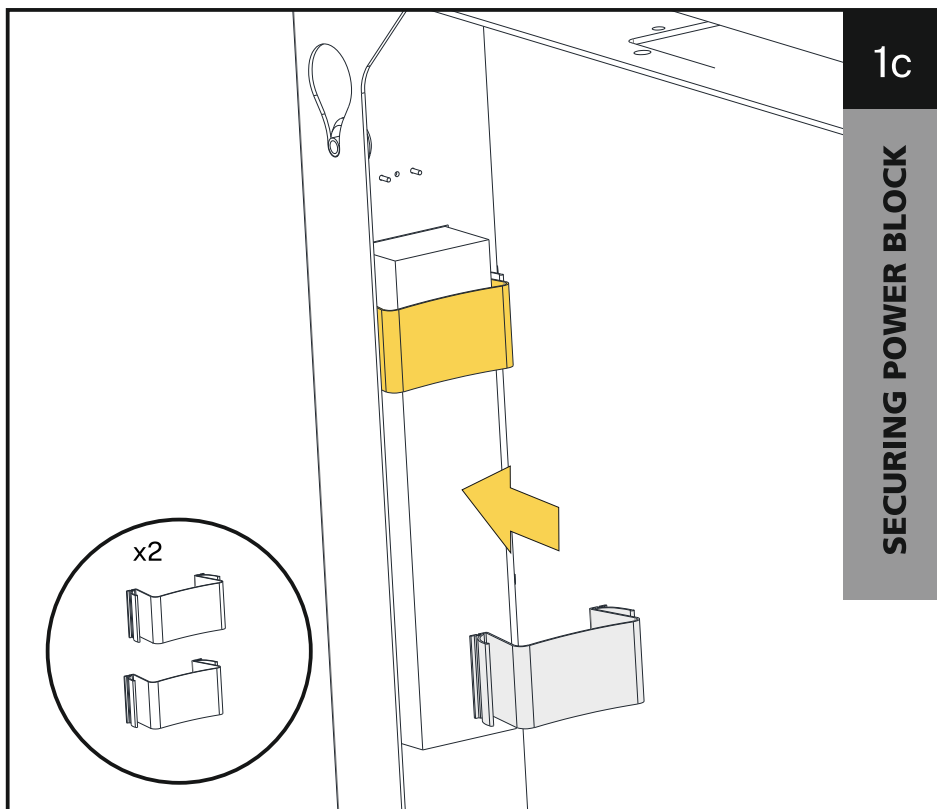
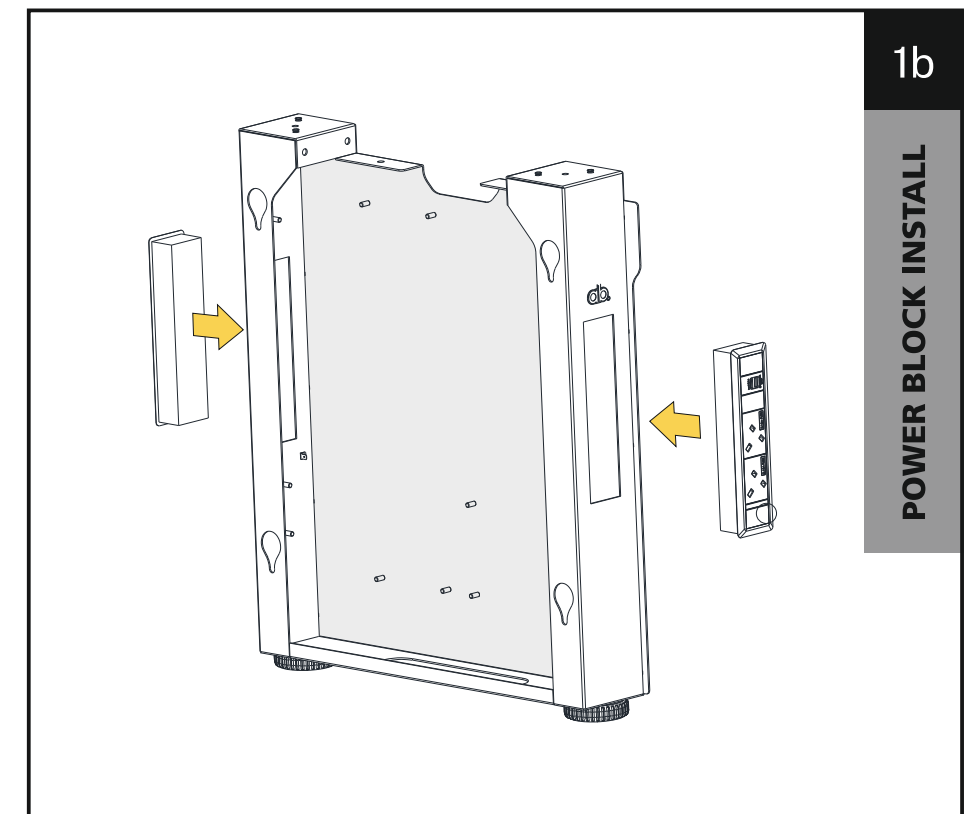
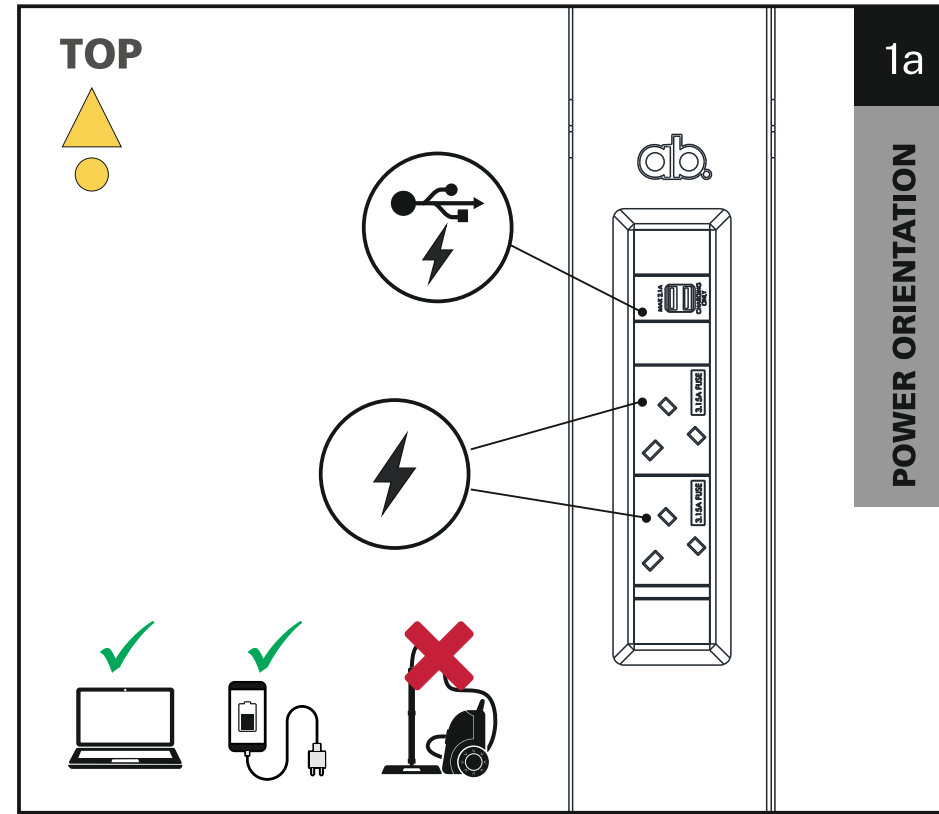
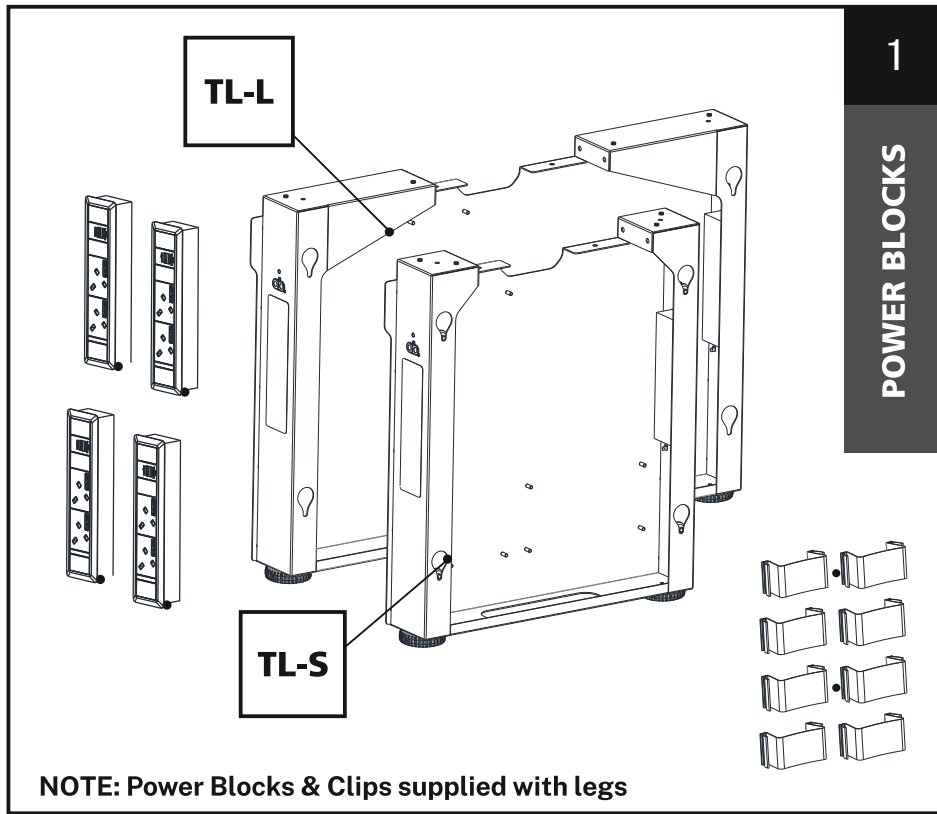
Floor Grommet Placement Dimensions.



5. Assembly

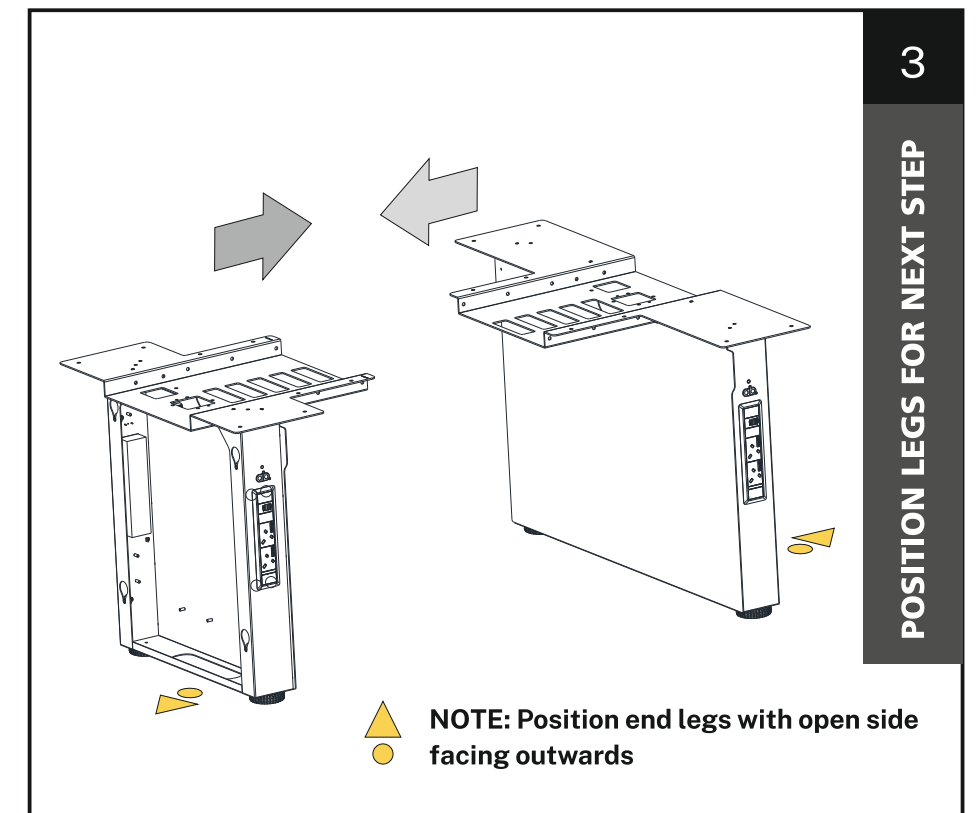
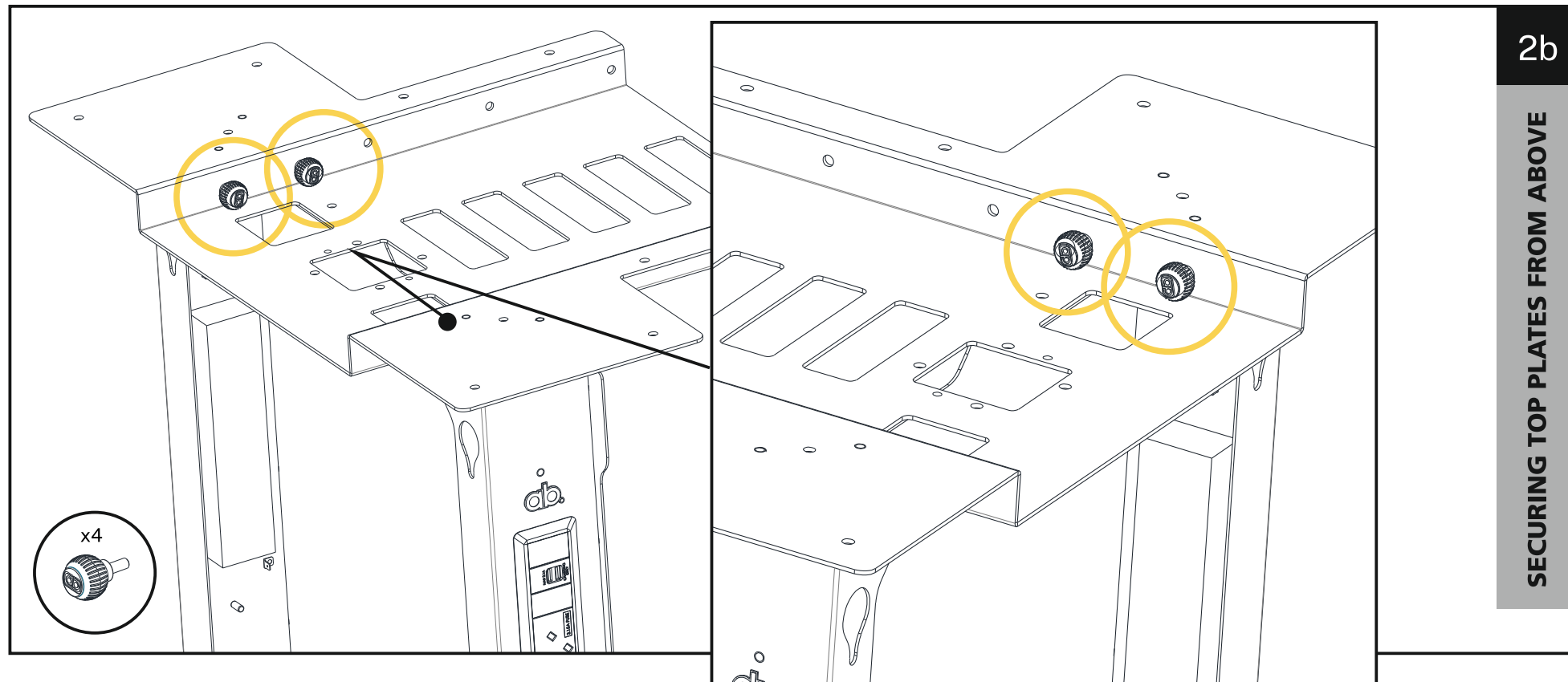
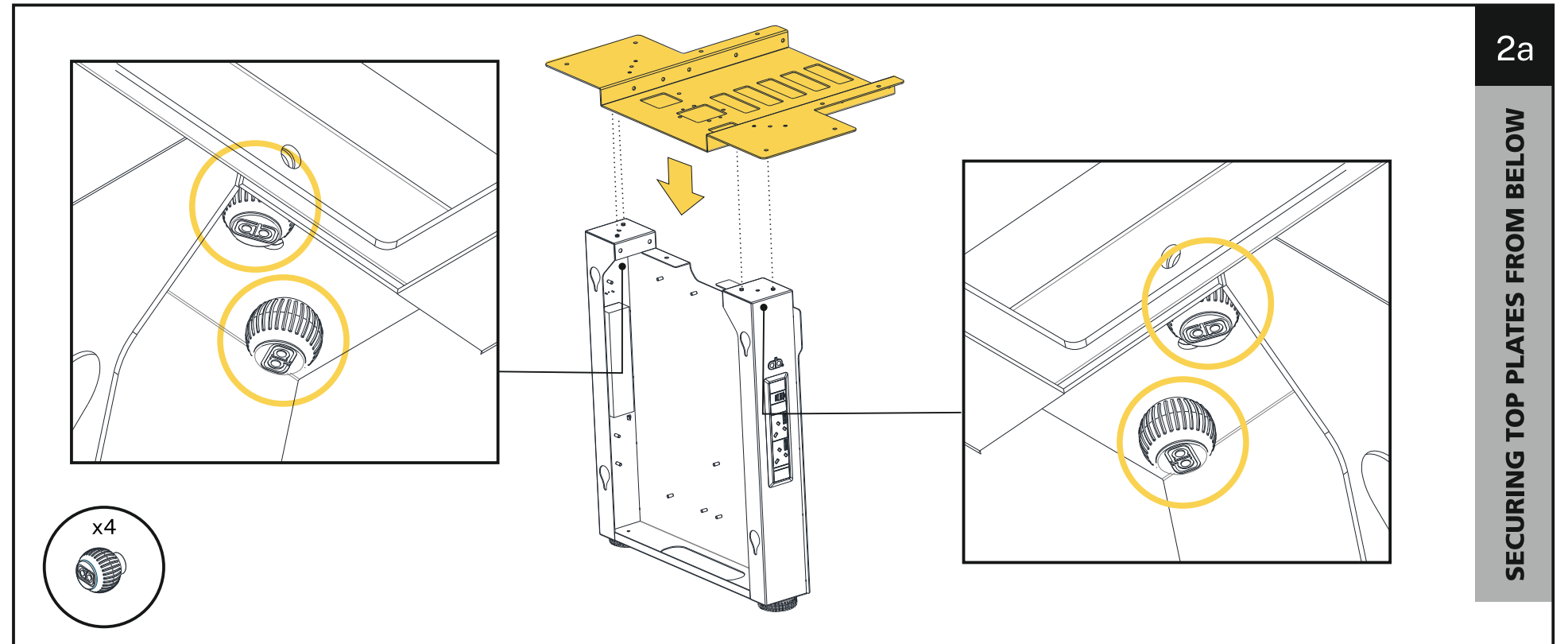
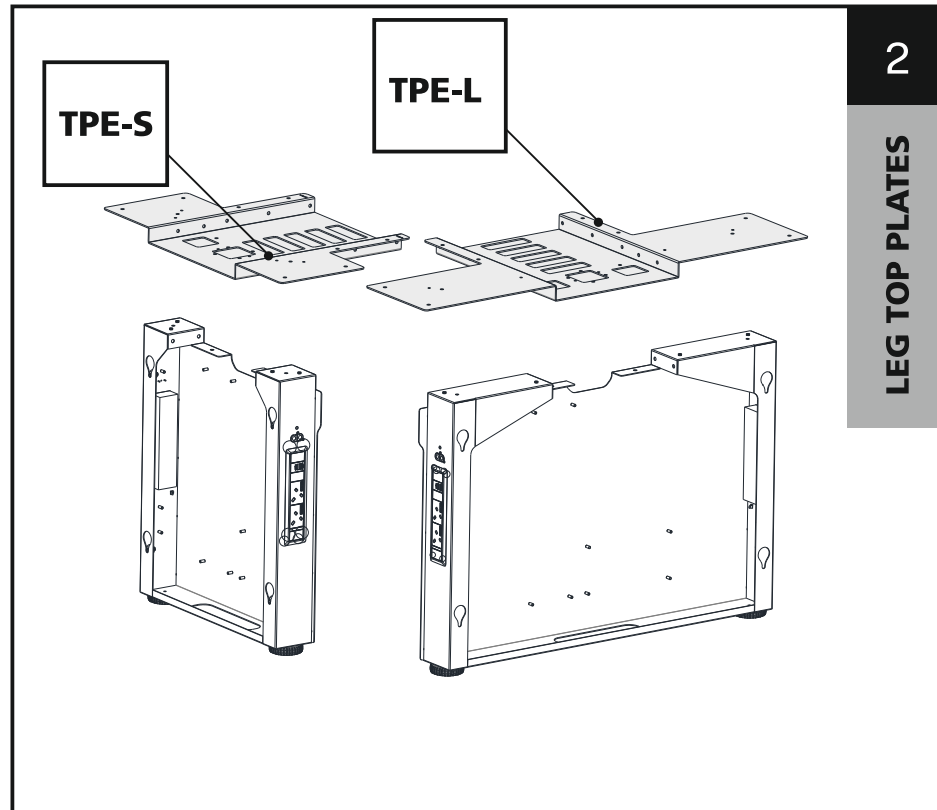
ST8 - Shaped 8 Seat Table.

Assembly Guide



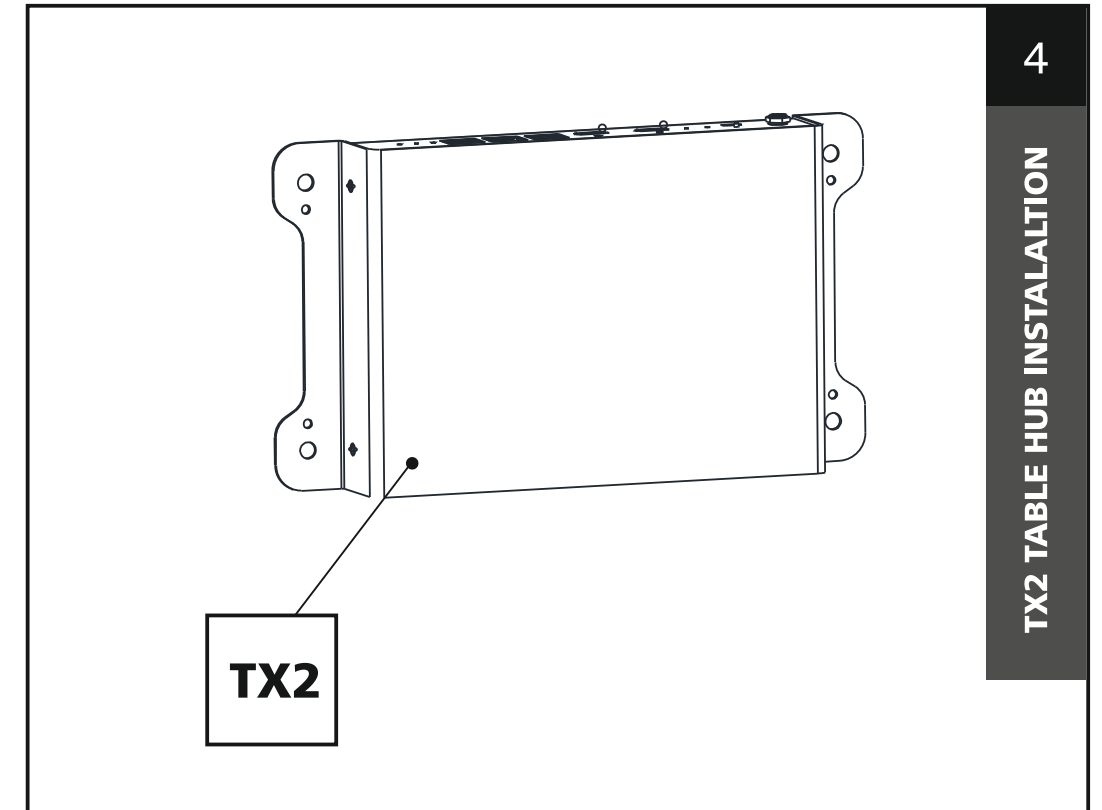
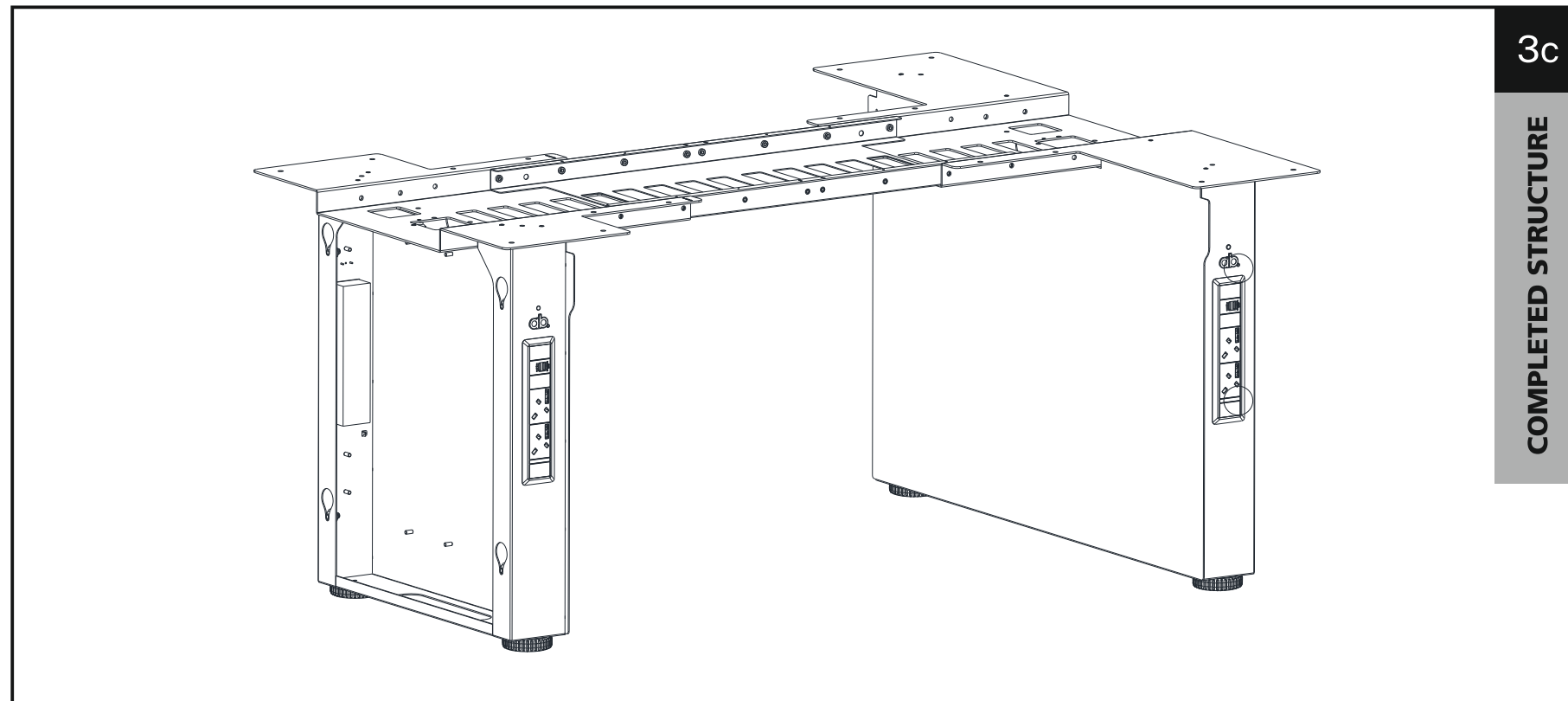
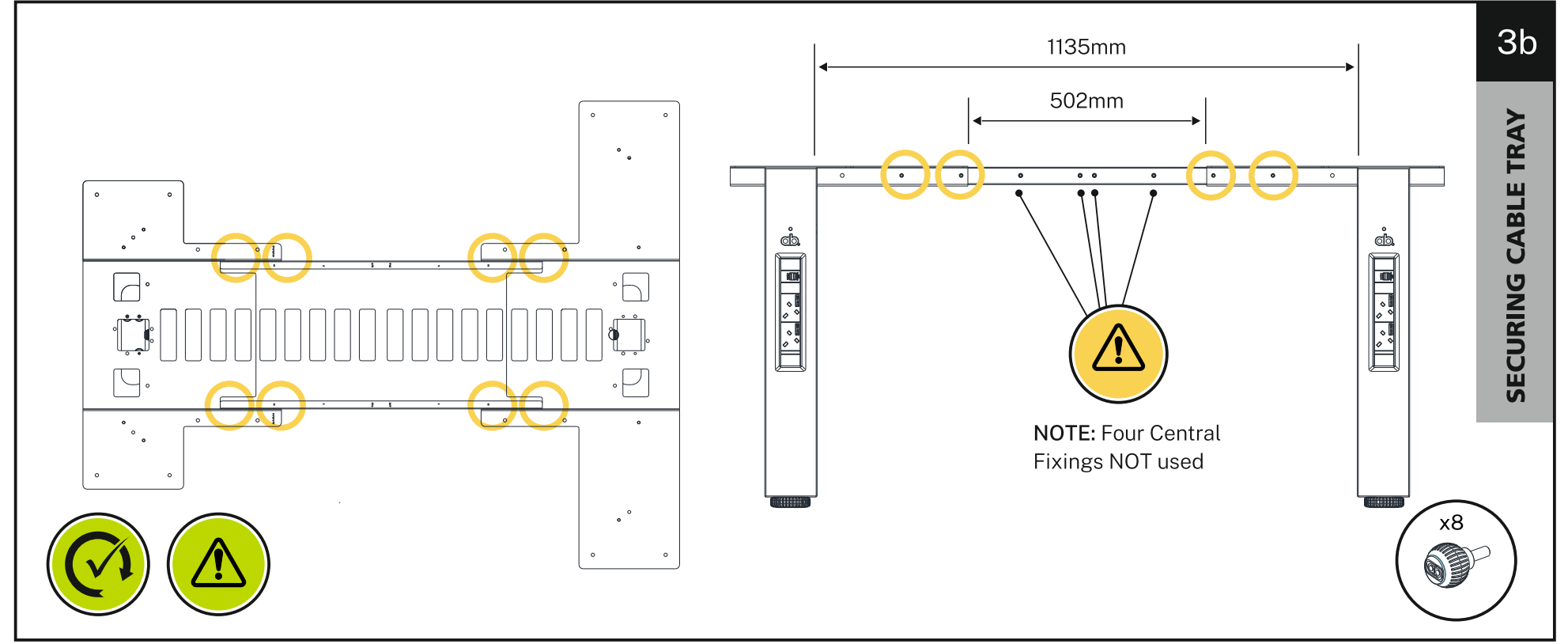
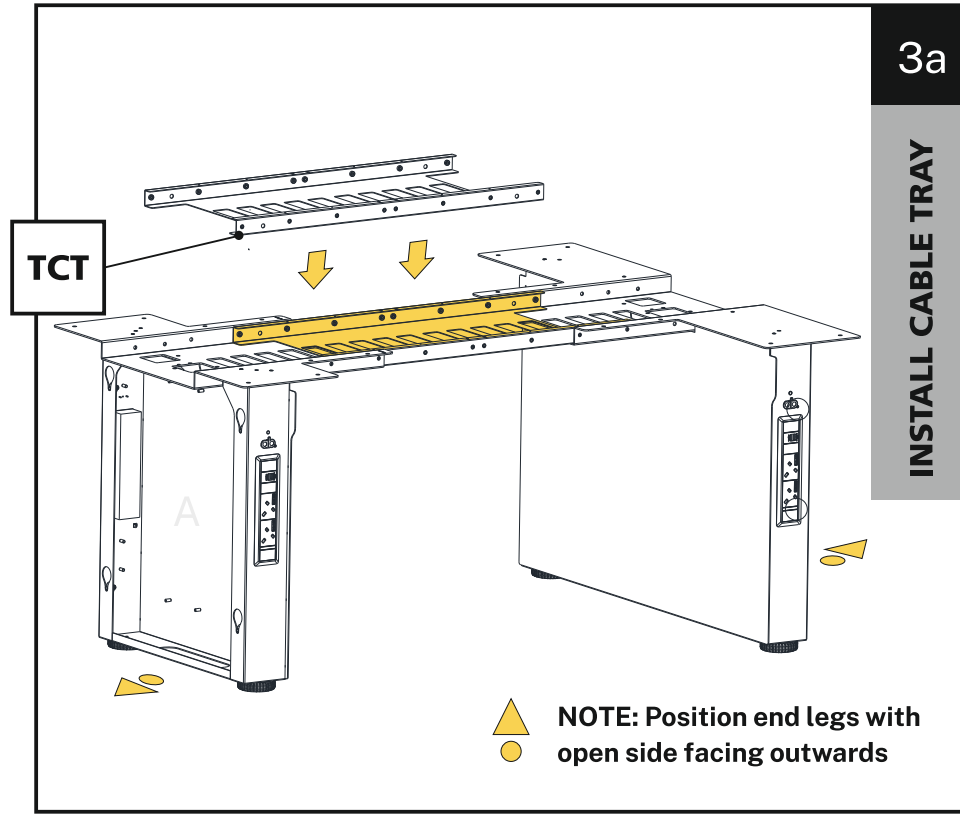
ST8 - Shaped 8 Seat Table.

Assembly Guide



ST8 - Shaped 8 Seat Table.

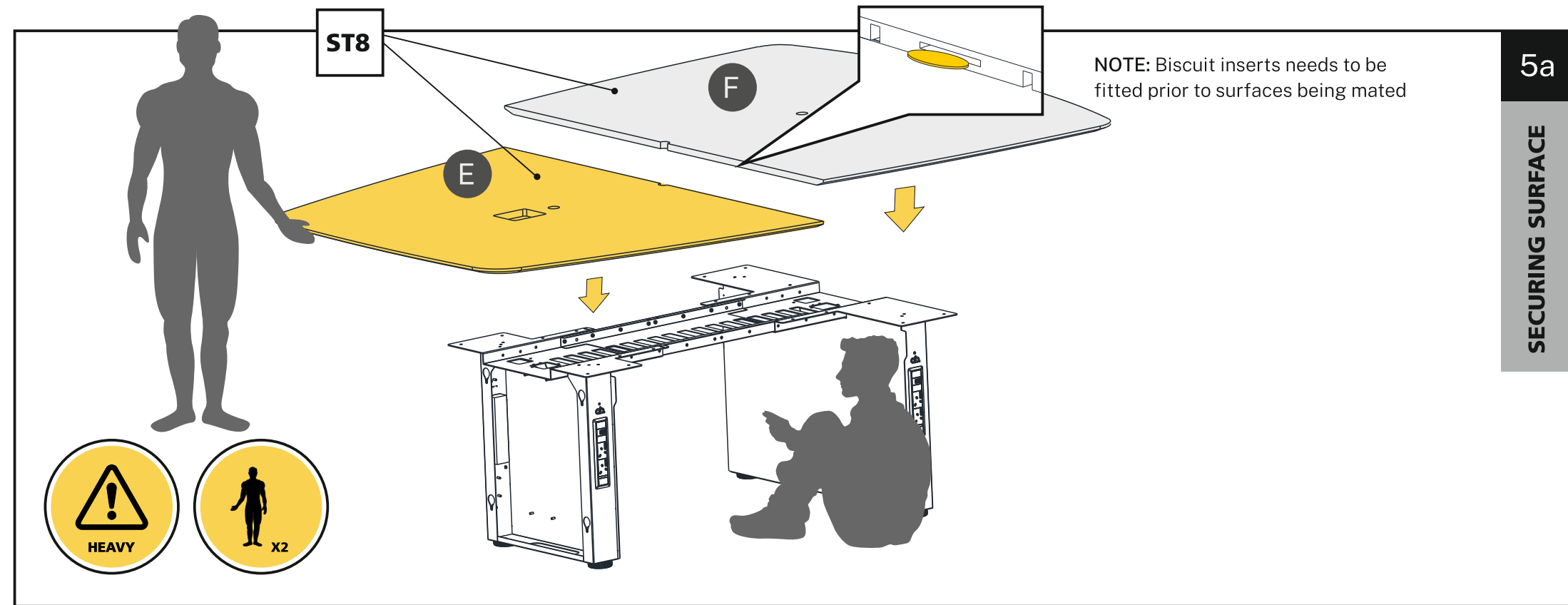
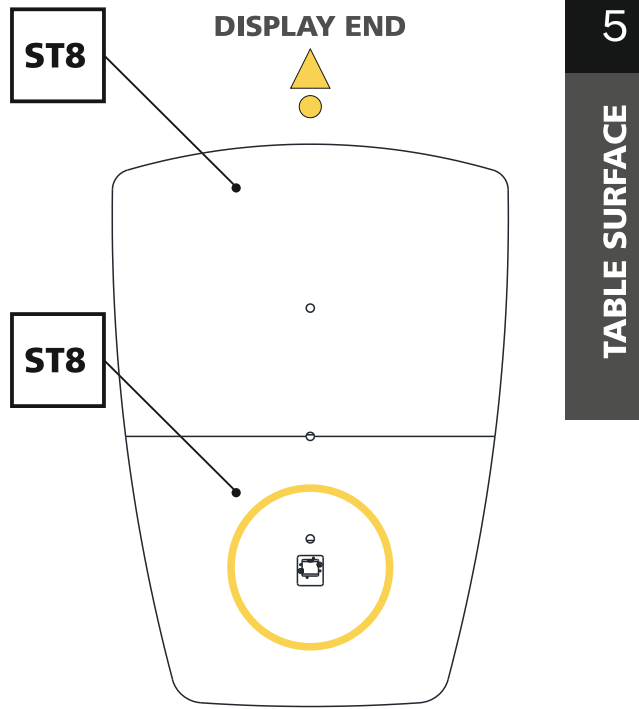
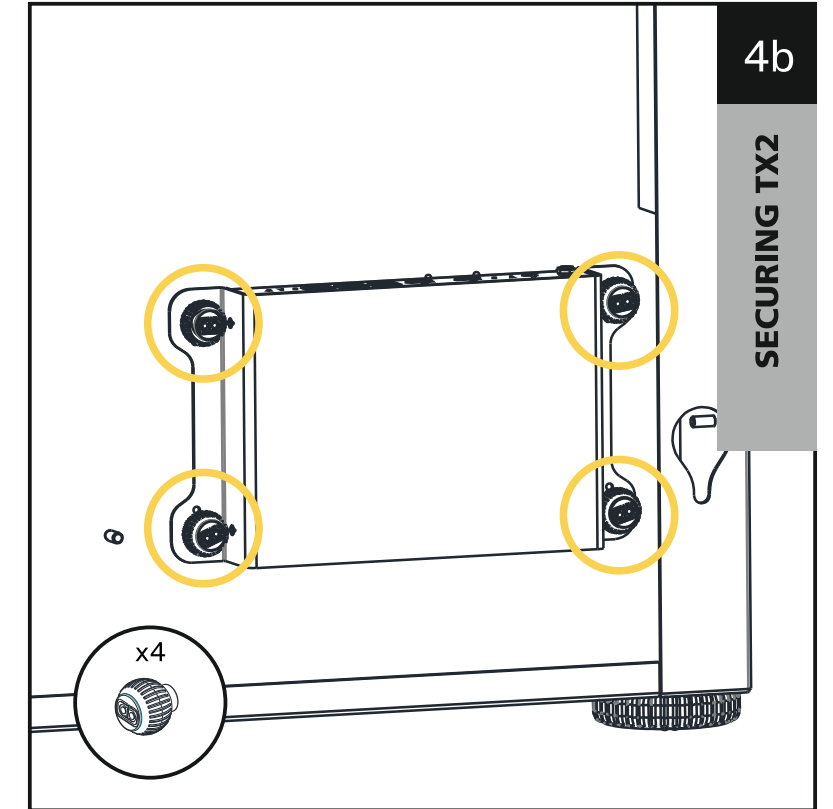
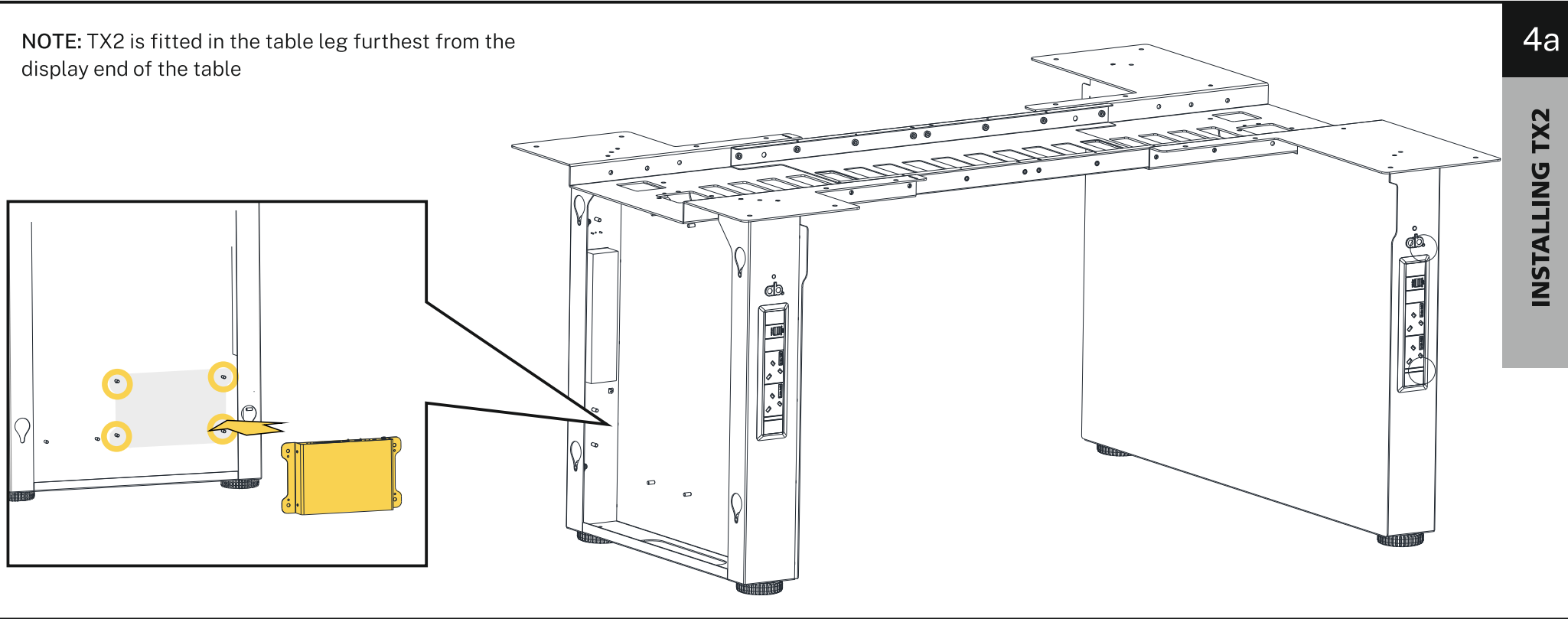
Assembly Guide



ST8 - Shaped 8 Seat Table.

Assembly Guide

NOTE: TX2 is fitted in the table leg furthest from the display end of the table



ST8 - Shaped 8 Seat Table.

Assembly Guide

VIEWED FROM UNDERNEATH

5b

SECURE SURFACE E

5c

CLAMP SURFACES TOGETHER

VIEWED FROM UNDERNEATH

5d

SECURE SURFACE F

5e

SECURE SURFACE E

ST8 - Shaped 8 Seat Table.

Assembly Guide

